

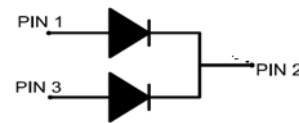
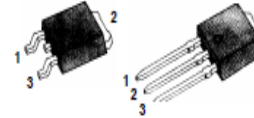


TO 252,251 SCHOTTKY BARRIER RECTIFIERS

SB10100L

FEATURES

- Schottky Barrier Chip
- Guard Ring Die Construction for Transient Protection
- Low Power Loss, High Efficiency
- High Surge Capability
- High Current Capability and Low Forward Voltage Drop
- For Use in Low Voltage, High Frequency Inverters, Free Wheeling, and Polarity Protection Applications



Dimensions in millimeters and (inches)

ELECTRICAL CHARACTERISTICS (Tamb=25°C)

| Characteristic | Symbol | MBR10100CT | Unit |
|--|----------------|----------------------------|------------|
| Peak Repetitive Reverse Voltage | V_{RRM} | 100 | V |
| Working Peak Reverse Voltage | V_{RWM} | | |
| DC Blocking Voltage | V_R | | |
| Average Rectified Output Current | I_C | 10 | A |
| Maximum Instantaneous Forward Voltage @ $I_F = 10A, T_c = 25^\circ C$ @ $I_F = 5A, T_c = 25^\circ C$ @ $I_F = 3A, T_c = 25^\circ C$ @ $I_F = 1A, T_c = 25^\circ C$ | V_F | 0.6 0.55 0.47 0.4 | V |
| Peak Reverse Current @ $T_c = 25^\circ C$ at Rated DC Blocking Voltage @ $T_c = 125^\circ C$ | I_R | 10 200 | μA |
| Operating and Storage Temperature Range | T_j, T_{stg} | -55 to +150 | $^\circ C$ |

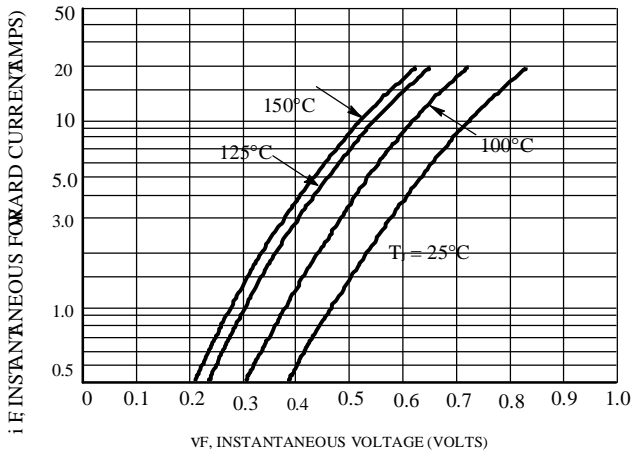


Figure 1. Typical Forward Voltage

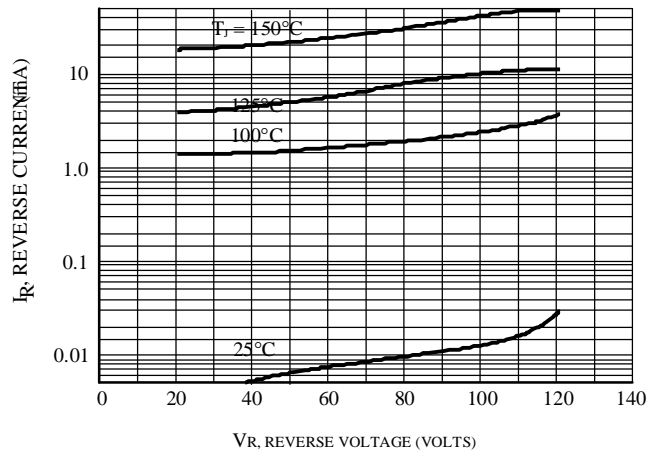


Figure 2. Typical Reverse Current

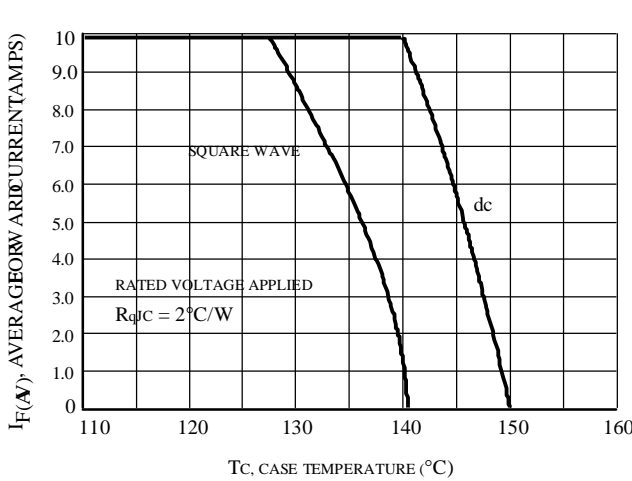


Figure 3. Current Derating, Case

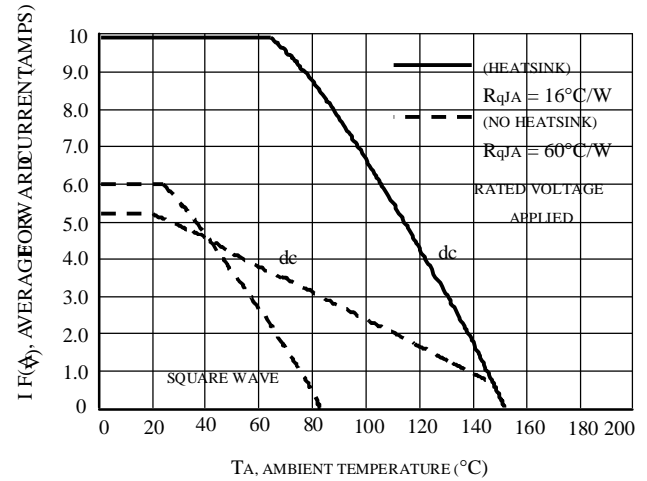


Figure 4. Current Derating, Ambient

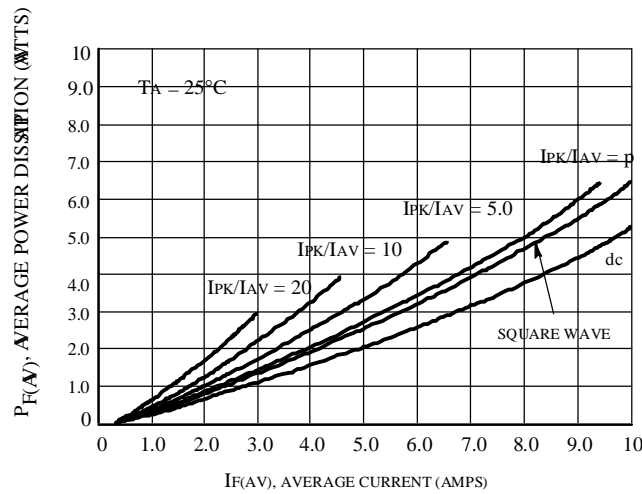
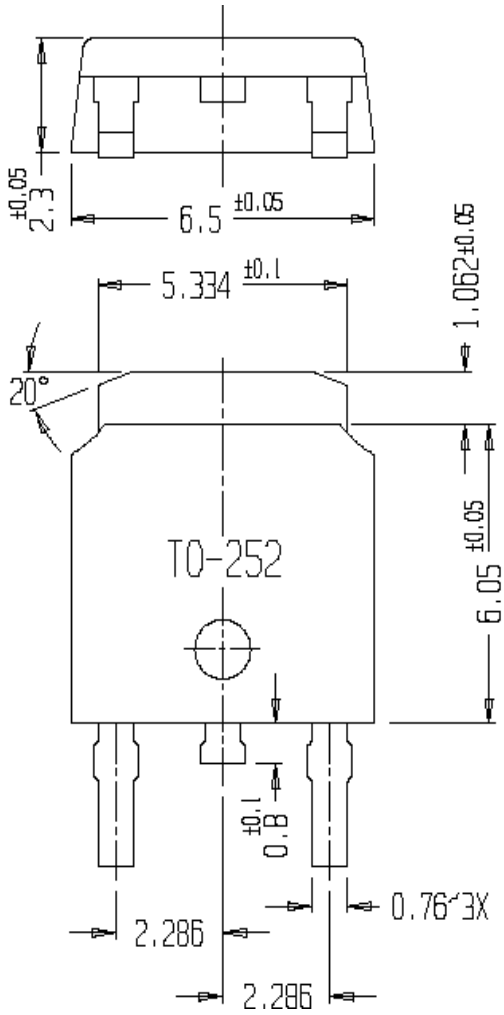
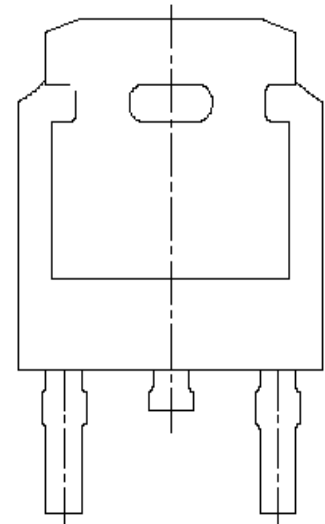
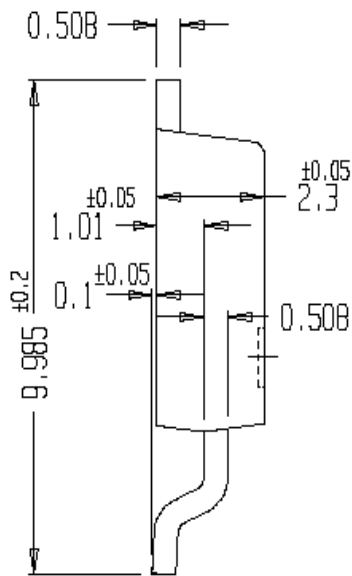


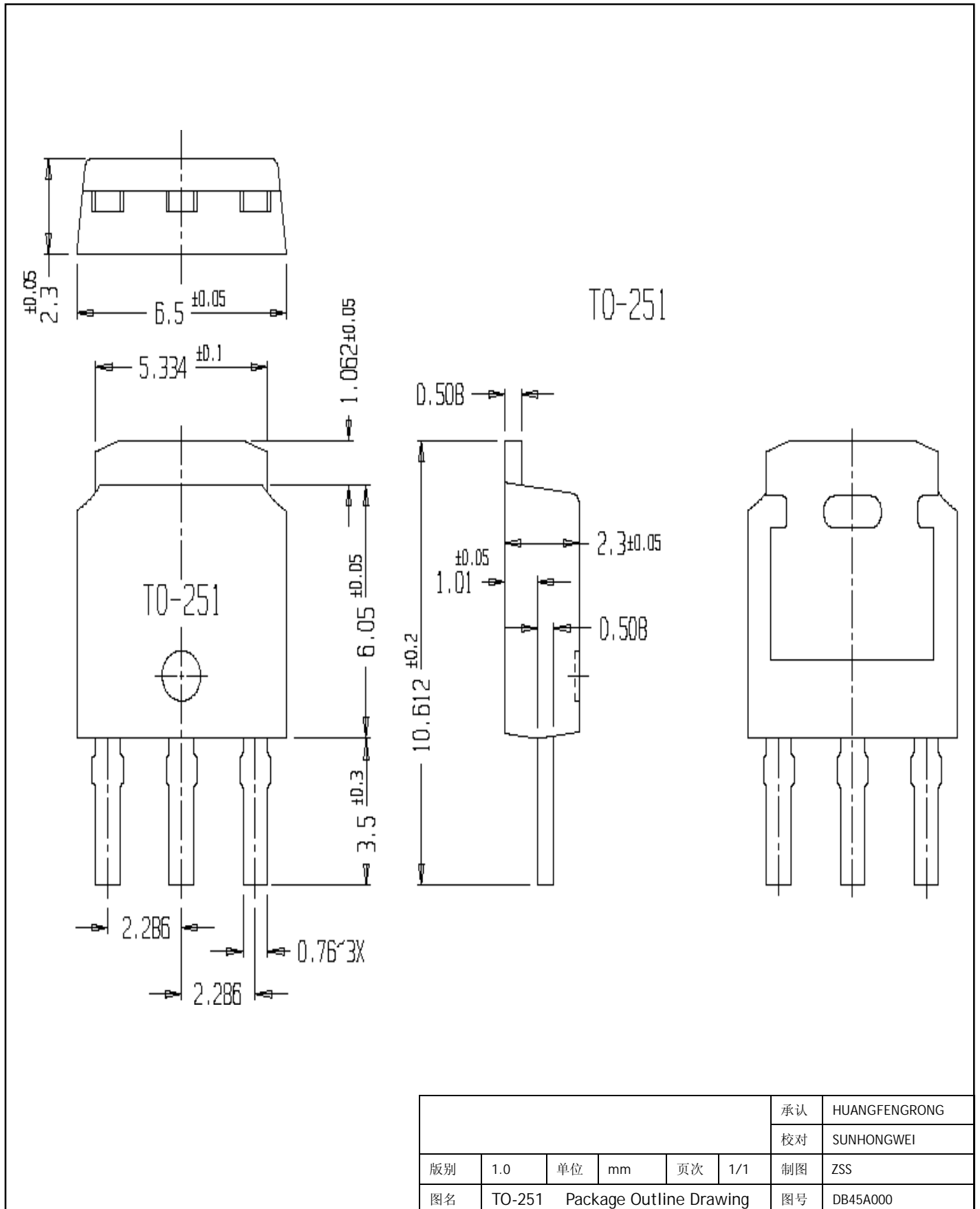
Figure 5. Forward Power Dissipation



TO-252



| | | | | | | | |
|----|--------------------------------|----|----|----|-----|----|---------------|
| | | | | | | 承认 | HUANGFENGRONG |
| | | | | | | 校对 | SUNHONGWEI |
| 版别 | 1.0 | 单位 | mm | 页次 | 1/1 | 制图 | ZSS |
| 图名 | TO-252 Package Outline Drawing | | | | | 图号 | DB45B000 |



| | | | | | | | |
|----|--------------------------------|----|----|----|-----|----|---------------|
| | | | | | | 承认 | HUANGFENGRONG |
| | | | | | | 校对 | SUNHONGWEI |
| 版别 | 1.0 | 单位 | mm | 页次 | 1/1 | 制图 | ZSS |
| 图名 | TO-251 Package Outline Drawing | | | | | 图号 | DB45A000 |

X-ON Electronics

Largest Supplier of Electrical and Electronic Components

Click to view similar products for [Schottky Diodes & Rectifiers](#) category:

Click to view products by [Haolin](#) manufacturer:

Other Similar products are found below :

[MA4E2039](#) [MMBD301M3T5G](#) [HFA35HB60C](#) [RB160M-50TR](#) [D83C](#) [BAS16E6433HTMA1](#) [BAS 3010S-02LRH](#) [E6327](#) [BAT 54-02LRH](#)
[E6327](#) [NRVBAF360T3G](#) [NSR05F40QNXT5G](#) [NTE555](#) [JANS1N6640](#) [SS3003CH-TL-E](#) [GA01SHT18](#) [CRS10I30A\(TE85L,QM](#)
[MBRA140TRPBF](#) [MBRB30H30CT-1G](#) [BAT 15-04R](#) [E6152](#) [JANTX1N5712-1](#) [DMJ3940-000](#) [SB007-03C-TB-E](#) [NRVBB20100CTT4G](#)
[NRVBM120LT1G](#) [NTSB30U100CT-1G](#) [CRG04\(T5L,TEMQ\)](#) [ACDBA1100LR-HF](#) [ACDBA1200-HF](#) [ACDBA240-HF](#) [ACDBA3100-HF](#)
[CDBQC0530L-HF](#) [ACDBA260LR-HF](#) [ACDBA1100-HF](#) [10BQ015-M3/5BT](#) [NRVBM120ET1G](#) [VSSB410S-M3/5BT](#) [1N5819T-G](#)
[PDS1040Q-13](#) [B160BQ-13-F](#) [SDM05U20CSP-7](#) [BAS 70-07](#) [E6433](#) [B140S1F-7](#) [HSM560Je3/TR13](#) [DDB2265-000](#) [ZHCS506QTA](#)
[HSM190Je3/TR13](#) [B330AF-13](#) [ACDBUC0230-HF](#) [SDM1U100S1F-7](#) [MBR10200CTF-G1](#) [CDLL5712](#)