

# SPECIFICATIONS FOR APPROVAL



Customer Part No.: \_\_\_\_\_ HELE. Part No: **X1H008000DI1H-HW**  
Application For: \_\_\_\_\_ Products: **CRYSTAL**  
Accepted Model: \_\_\_\_\_ Type & Freq.: **HSX531S / 8.0000MHz**  
Sample Order No: **EOS-F20162-1** Date: **2015/04/16**

Approved By :

加高電子股份有限公司  
加高電子股份有限公司

**HARMONY ELECTRONICS CORP.**

**HARMONY ELECTRONICS (THAILAND) CO., LTD.**

**HARMONY ELECTRONICS (SHENZHEN) CORP., LTD.**

**TAIPEI OFFICE:**

公司:(114)  
台北市內湖區堤頂大道 2 段 409 號 2 樓  
2F., NO.409, SEC.2, TIDING BLVD.,  
NEIHU DISTRICT, TAIPEI CITY 114,  
TAIWAN  
TEL:886-2-26588883  
FAX:886-2-26588683

**TAIWAN FACTORY:**

工廠:(831)  
高雄市大寮區大發工業區華東路 39 號  
No.39, HWA DONG RD., DALLIAO  
DIST.,DAFA INDUSTRIAL PARK.,  
KAOHSIUNG CITY 831, TAIWAN  
TEL: (07)787-1555-6  
FAX: (07)787-1557

**THAILAND FACTORY:**

66MOO 5, KAONGU-BEOKPRAI RD.,  
T.BEOKPRAI, A. BANPONG,  
RAJCHABUREE PROVINCE 70110,  
THAILAND  
TEL: (032)221994-6,  
200740-1  
FAX: (032)200742

**SHENZHEN FACTORY:**

深圳市福永鎮塘尾村塘橋路聚源工業區  
QIAO TANG RD., TANGWEI VILLAGE  
FU YONG TOWN SHENZHEN CITY  
CHINA  
TEL: 0755-27309272 /  
27309262  
FAX: 0755-27309755

Title <b>HSX531S</b> <b>QUARTZ CRYSTAL SPECIFICATION</b>				Country of origin <b>TAIWAN FACTORY</b> <b>THAILAND FACTORY</b> <b>CHINA FACTORY</b>		
Date	Confirm	Check	Prepare	Spec. No.	Rev.	Page
<b>2015/04/16</b>	F. S. TSAI	Y. W. LEE	U. F. CHEN	<b>X1H008000DI1H-HW</b>	0	1

**HARMONY ELECTRONICS CORP.**

# HSX531S SPECIFICATION

## INDEX

ITEM	PAGE
<b>1. QUARTZ CRYSTAL UNIT SPECIFICATION</b> . . . . .	3
<b>2. MARKING &amp; DIMENSIONS</b> . . . . .	4
<b>3. INSIDE STRUCTURE</b> . . . . .	5
<b>4. EMBOSS CARRIER TAPE&amp;REEL</b> . . . . .	6
a. DIMENSIONS OF CARRIER TAPE . . . . .	6
b. DIMENSIONS OF REEL . . . . .	6
c. STORAGE CONDITION . . . . .	7
d. STANDARD PACKING QUANTITY . . . . .	7
e. MATERIAL OF TAPE . . . . .	7
f. LABEL CONTENTS . . . . .	7
g. TAPING DIMENSION . . . . .	8
h. JOINT OF TAPE . . . . .	8
i. RELEASE STRENGHT OF COVER TAPE . . . . .	8
j. PACKAGE . . . . .	9
<b>5. MECHANICAL PERFORMANCE</b> . . . . .	10
<b>6. ENVIRONMENTAL PERFORMANCE</b> . . . . .	10
<b>7. SUPPLEMENT</b> . . . . .	11-12
<b>8. FLOW CHART</b> . . . . .	13
<b>9. Environmental Workload Chemical Substance Components List</b> . . . . .	14

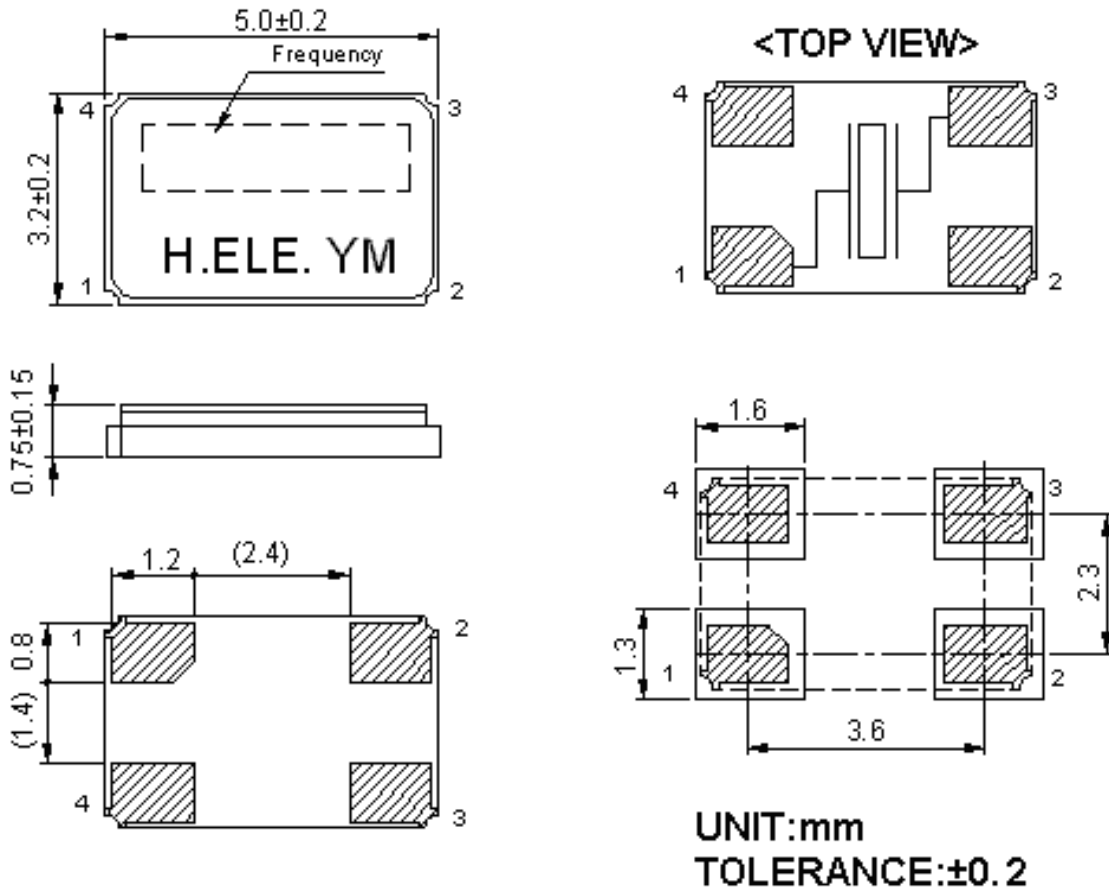
Title <b>HSX531S</b> <b>QUARTZ CRYSTAL SPECIFICATION</b>				Country of origin <b>TAIWAN FACTORY</b> <b>THAILAND FACTORY</b> <b>CHINA FACTORY</b>		
Date	Confirm	Check	Prepare	Spec. No.	Rev.	Page
<b>2015/04/16</b>	F. S. TSAI	Y. W. LEE	U. F. CHEN	<b>X1H008000DI1H-HW</b>	0	2

# 1.QUARTZ CRYSTAL UNIT SPECIFICATION

- |                                |   |
|--------------------------------|---|
| 1. Frequency:                  | 8.000000MHz   |
| 2. Holder type :               | <b>HSX531S</b>  |
| 3. Frequency tolerance:        | +/-20ppm at 25deg.C +/-3deg.C   |
| 4. Equivalent resistance:      | 60 ohms Max. / SERIES   |
| 5. Storage temperature range:  | -40deg.C To +85deg.C  |
| 6. Operable temperature range: | -20deg.C To +70deg.C  |
| 7. Temperature drift:          | +/-20 ppm          -20deg.C To +70deg.C                                     |
| 8. Loading capacitance (CL) :  | 18.0 pF   |
| 9. Drive level:                | 10uW    (300uW Max.)  |
| 10. Shunt Capacitance:         | 7.0 pF Max.   |
| 11. Insulation resistance :    | More than 500M ohms at DC 100V  |
| 12. Mode of oscillation:       | Fundamental   |
| 13. Circuit:                   | Measured in HP/E5100A,S&A 250B  |
| 14. Shocking :                 | Dropping from 75 cm height 3 times on firm wood                             |
| Variation :                    | Frequency less than +/-5 ppm<br>Resistance less than +/- 15 % or 2ohms max. |
| 15. Aging:                     | Less than +/- 5 ppm/Year  |
| 16. Holder                     | HSX531S Seam type   |
| 17. Dimensions and marking     | Refer to page.4   |
| 18. Emboss carrier tape & reel | Refer to page.6 and page.8  |
| 19. Moisture Sensitivity Level | Level 1   |
| 20. Note:                      |   |

Title <b>HSX531S</b> <b>QUARTZ CRYSTAL SPECIFICATION</b>				Country of origin <b>TAIWAN FACTORY</b> <b>THAILAND FACTORY</b> <b>CHINA FACTORY</b>		
Date	Confirm	Check	Prepare	Spec. No.	Rev.	Page
<b>2015/04/16</b>	F. S. TSAI	Y. W. LEE	U. F. CHEN	<b>X1H008000DI1H-HW</b>	0	3

## 2. HSX531S MARKING & DIMENSIONS



Chamfer index mark depends on the ceramic base supplier.

\*Marking should be printed as following:

Nominal Frequency, Logo, Manufactured year & month

\*Nominal frequency = 3 number after decimal point MAX.

( ex. 12.000 MHz → 12.000 )

\*Manufacturing Lot No.

(Year) ex. 2000 shall be marked as ' 0 ' (As shown on the Table-1)

(Month) ex. June shall be marked as ' F ' (As shown on the Table-2)

Marking : Laser marking

(Table-1)

Year	2000	2001	2002	2003	2004	2005	2006	2007	2008	2009
	2010	2011	2012	2013	2014	2015	2016	2017	2018	2019
Code	0	1	2	3	4	5	6	7	8	9

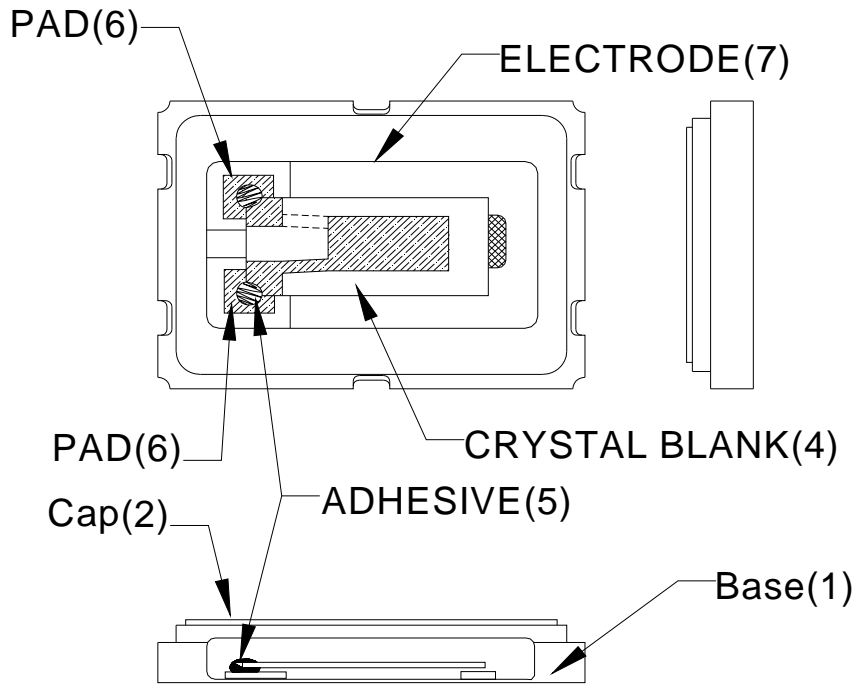
(Table-2)

Jan.	Feb.	Mar.	Apr.	May.	Jun.	Jul.	Aug.	Sep.	Oct.	Nov.	Dec.
A	B	C	D	E	F	G	H	J	K	L	M

Title <b>HSX531S</b> <b>QUARTZ CRYSTAL SPECIFICATION</b>				Country of origin <b>TAIWAN FACTORY</b> <b>THAILAND FACTORY</b> <b>CHINA FACTORY</b>			
Date	Confirm	Check	Prepare	Spec. No.	Rev.	Page	
<b>2015/04/16</b>	F. S. TSAI	Y. W. LEE	U. F. CHEN	<b>X1H008000DI1H-HW</b>	0	4	

**HARMONY ELECTRONICS CORP.**

### 3. INSIDE STRUCTURE



※Reference drawing

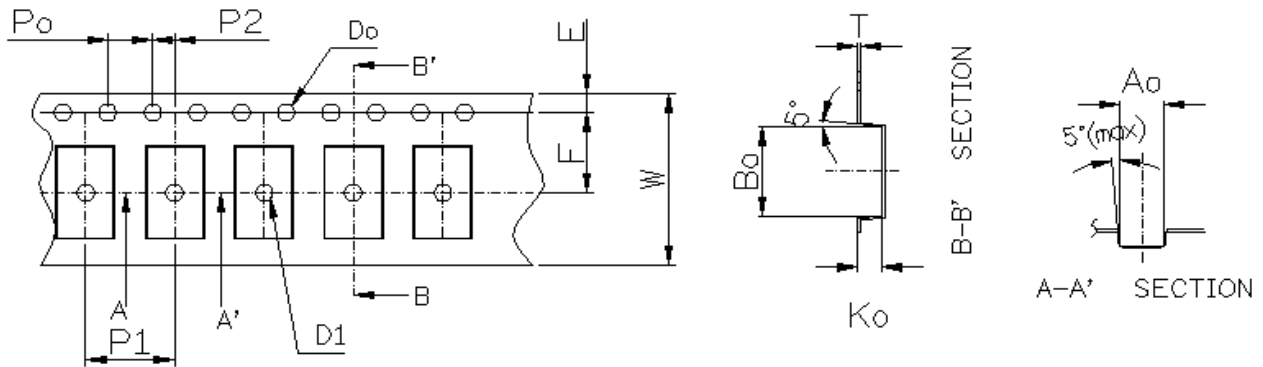
(1) Base Alumina Ceramic (Al <sub>2</sub> O <sub>3</sub> )
(6) Metallized Pad: W Ni Plating Au Plating
(2) Cap Fe-Ni
(3) Crystal Enclosure Seal Seal Seam
(4) Crystal Blank Rectangular At-Cut Quartz Crystal Blank
(5) Adhesive Silver Conductive Silicon Resin
(7) Electrode

The use prohibition chemistry substance of Table 1 of DHE-0204-1 (HE-QA-24) is not included in this item.

Title <b>HSX531S</b> <b>QUARTZ CRYSTAL SPECIFICATION</b>				Country of origin <b>TAIWAN FACTORY</b> <b>THAILAND FACTORY</b> <b>CHINA FACTORY</b>		
Date	Confirm	Check	Prepare	Spec. No.	Rev.	Page
2015/04/16	F. S. TSAI	Y. W. LEE	U. F. CHEN	<b>X1H008000DI1H-HW</b>	0	5

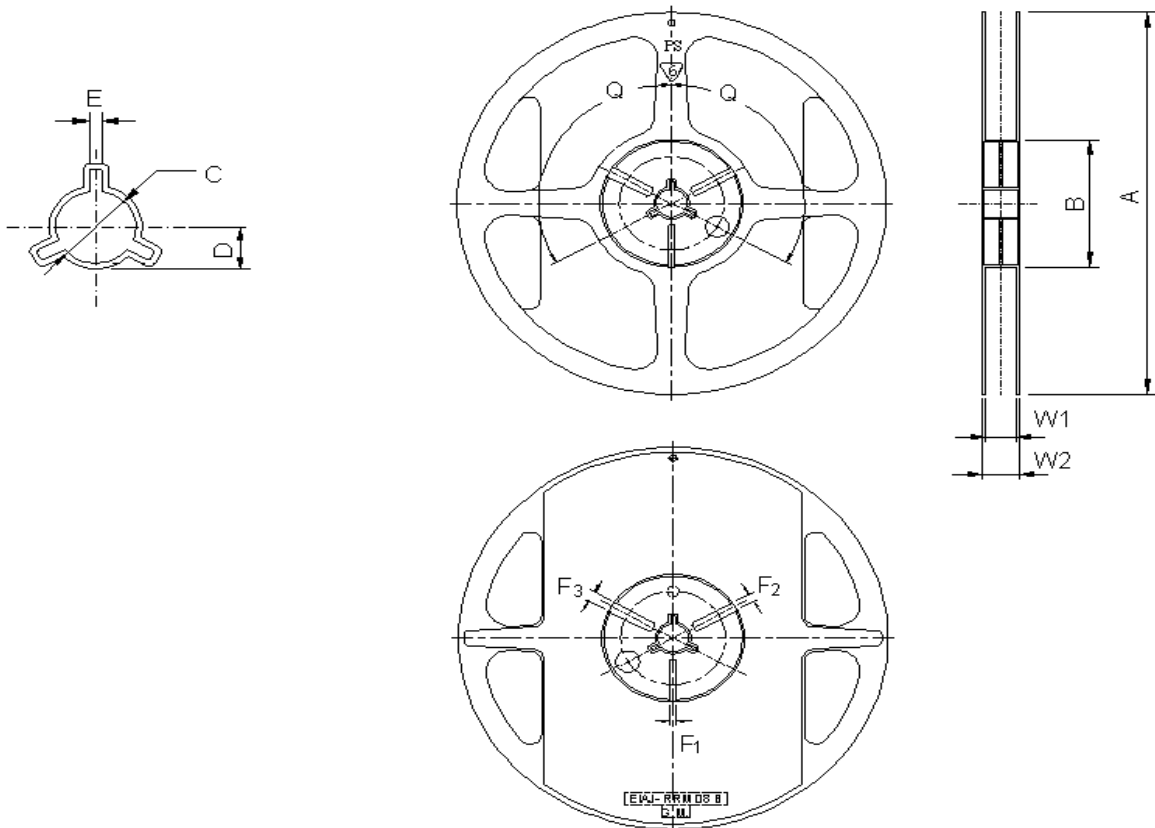
#### 4. HSX531S EMBOSS CARRIER TAPE & REEL

##### a.) Dimensions of Carrier Tape



Symbol	$A_0$	$B_0$	$K_0$	$P_0$	$P_1$	$P_2$	$T$
Spec	$3.60 \pm 0.1$	$5.40 \pm 0.1$	$1.40 \pm 0.1$	$4.0 \pm 0.1$	$8.0 \pm 0.1$	$2.0 \pm 0.05$	$0.30 \pm 0.05$
Symbol	$E$	$F$	$D_0$	$D_1$	$W$	$10P_0$	
Spec	$1.75 \pm 0.1$	$5.50 \pm 0.05$	$1.55 \pm 0.05$	$1.50(\text{min})$	$12.0 \pm 0.2$	$40.0 \pm 0.1$	

##### b.) Dimensions of Reel



Title **HSX531S**  
**QUARTZ CRYSTAL SPECIFICATION**

Country of origin **TAIWAN FACTORY**  
**THAILAND FACTORY**  
**CHINA FACTORY**

Date	Confirm	Check	Prepare	Spec. No.	Rev.	Page
2015/04/16	F. S. TSAI	Y. W. LEE	U. F. CHEN	<b>X1H008000DI1H-HW</b>	0	6

HARMONY ELECTRONICS CORP.

(Table-2)

(UNIT: mm)

ITEM		MARK	DIMENSIONS • ANGLE	
FLANCE	Diameter	A	$\psi 180+0/-3$	
	Inner Width	W1	12.8 $\pm$ 0.3	
	Outer Width	W2	15.5 $\pm$ 1.0	
HUB	Out Line diameter	B	$\psi 60.5\pm 0.5$	
	Center Core slit	Width	F1	3.0 $\pm$ 0.5/-0
			F2	4.0 $\pm$ 0.5/-0
			F3	5.0 $\pm$ 0.5/-0
		Position	Q	120deg
	Spindle diameter		C	$\psi 13.2\pm 0.5$
Key Ditch	Width	E	3.0 $\pm$ 0.2	

## c.) Storage condition

Temperature: +40deg.C Max.

Relative Humidity: 80% Max.



## d.) Standard packing quantity

1,000PCS / REEL

## e.) Material of the tape

Tape	Material
Carrier tape	A – PET
Top tape	Polyester

## f.) Label contents

	
TYPE:	
SPEC.No.:	
Parts No.:	
Lot No.:	
FREQ.:	MHz
Q'TY:	PCS
HARMONY ELECTRONICS CORP. 	

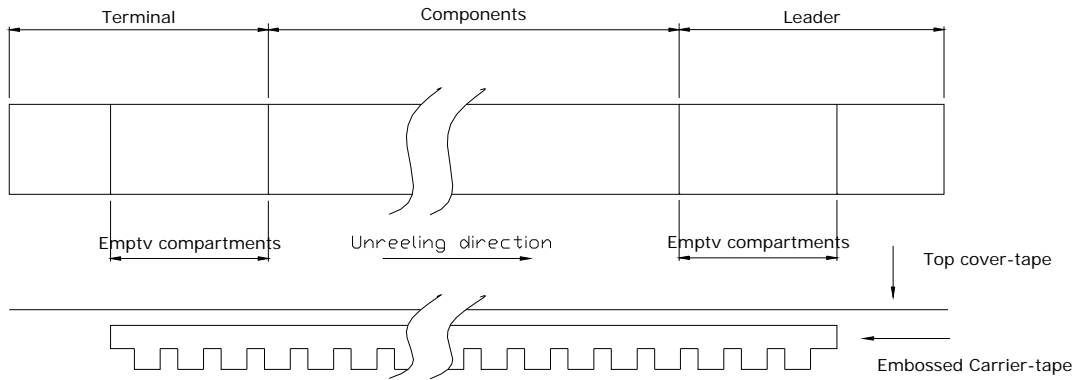
Sticks label for every reel.

Title <b>HSX531S</b> <b>QUARTZ CRYSTAL SPECIFICATION</b>				Country of origin <b>TAIWAN FACTORY</b> <b>THAILAND FACTORY</b> <b>CHINA FACTORY</b>		
Date	Confirm	Check	Prepare	Spec. No.	Rev.	Page
2015/04/16	F. S. TSAI	Y. W. LEE	U. F. CHEN	<b>X1H008000DI1H-HW</b>	0	7

HARMONY ELECTRONICS CORP.

g.) Taping dimension

Leader	Cover-tape	The length of cover-tape in the leader is more than 400 mm including empty embossed area.
	Carrier-tape	After all products were packaged, must remain more than twenty pieces or 400 mm empty area, which should be sealed by cover-tape.
Terminal	Cover-tape	The tip of cover-tape shall be fixed temporary by paper tape and roll around the core of reel one round.
	Carrier-tape	The empty embossed area which are sealed by top cover-tape must remain more the 40 mm.



h.) Joint of tape

The carrier-tape and top cover-tape should not be jointed.

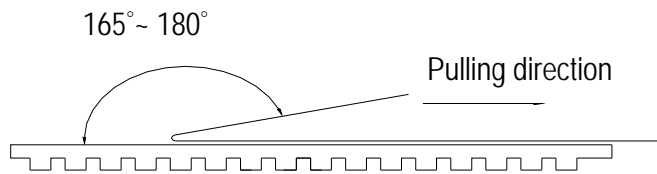
i.) Release strength of cover tape

It has to between 0.1N to 0.7N under following condition.

Pulling direction 165° to 180°

Speed 300mm/min.

Otherwise unless specified.

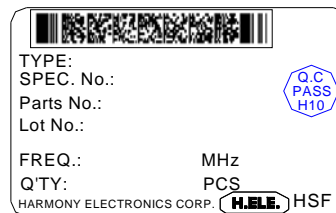
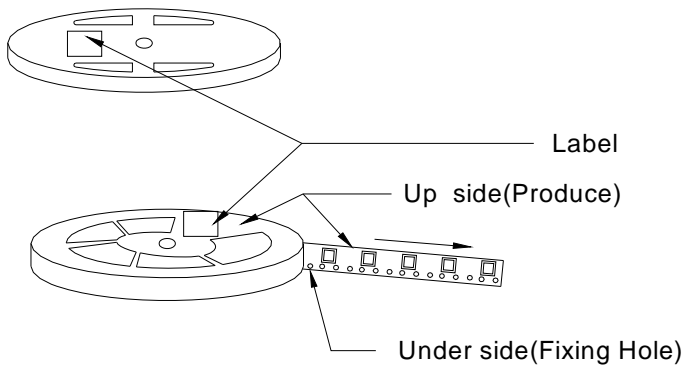


Other standards shall be based on JIS C 0806-1990.

Title <b>HSX531S</b> <b>QUARTZ CRYSTAL SPECIFICATION</b>				Country of origin <b>TAIWAN FACTORY</b> <b>THAILAND FACTORY</b> <b>CHINA FACTORY</b>		
Date	Confirm	Check	Prepare	Spec. No.	Rev.	Page
<b>2015/04/16</b>	F. S. TSAI	Y. W. LEE	U. F. CHEN	<b>X1H008000DI1H-HW</b>	0	8

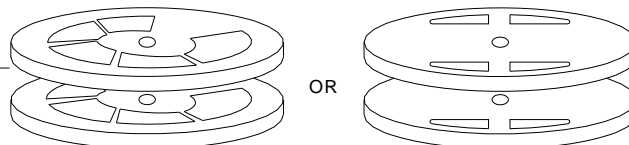
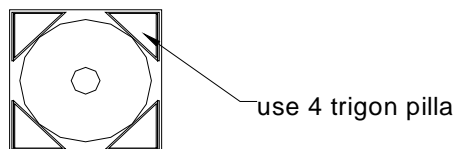


j.) Package

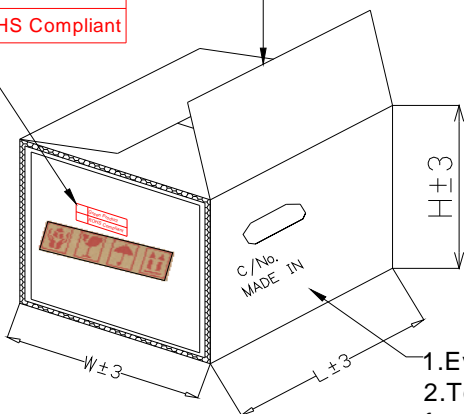


One reel quantity: [1000pcs]&[3000pcs]

- ① Top and bottom with 2.3cm thickness foam-rubber cushion for protection.
- ② Carton's Q'TY:1~15 pcs.
- ③ Carton Type=A,B,C use 4 trigon pillar to fasten the Reel.
- ④ Need to add 3 pages dry agent in each outer box.



Green Product  
ROHS Compliant



Carton Type	A	B	C	D
Produce Type	840/751	630/531/ 421	321/221/ 211/111	OTHER
Reel	15	15	15	1~7
L±3	200	200	200	195
W±3	200	200	200	195
H±3	230/260	230	230	150

1. Every Carton with 3 desiccant.
2. Top and bottom with 2.3cm thickness foam-rubber cushion for protection

Title <b>HSX531S</b> <b>QUARTZ CRYSTAL SPECIFICATION</b>				Country of origin <b>TAIWAN FACTORY</b> <b>THAILAND FACTORY</b> <b>CHINA FACTORY</b>		
Date	Confirm	Check	Prepare	Spec. No.	Rev.	Page
2015/04/16	F. S. TSAI	Y. W. LEE	U. F. CHEN	<b>X1H008000DI1H-HW</b>	0	9

## 5. Mechanical Performance

Item		Test Methods	Specifications Code
1	Natural Drop	Drop 3 times from the height of 75cm onto min. 30mm thickness hard wooden board Refer to: JIS C 60068-2-6	A
2	Vibration	Frequency 10-55Hz, Sine Wave full amplitude of 0.8mm to X,Y and Z 3 axes, Duration of 2 hours to each axis. Refer to: MIL-HDBK-781A 6.5.2/ JIS C 60068-2-6	A
3	Sealing Tightness	Leak Rate $1.0 \times 10^{-8}$ Pa-m <sup>3</sup> /sec. Max. measured by Helium leak detector..	---
4	Solder ability	After applying ROSIN Flux, dipping in solder bath at 245°C +/-5°C for 3+/-0.5 sec. Refer to: JIS C 60068-2-20	B

## 6. Environment Performance

Item		Test Methods	Specifications Code
1	Humidity	Temperature 60°C +/-2°C, RH 90~95%, Duration of 240 hours Back to room temperature first, then in 1~2 hours, the component shall be checked. Refer to: JIS C 60068-2-3	A
2	Storage in Low Temperature	-40°C +/-2°C, Duration of 240 hours. Back to the room temperature first, then in 1~2 hours, the component shall be checked. Refer to: JIS C 60068-2-1	A
3	Storage in High Temperature	+85°C +/-2°C, Duration of 240 hours. Back to the room temperature first, then in 1~2 hours, the component shall be checked. Refer to: JIS C 60068-2-2	A
4	Temperature cycles	-40°C +/-2°C (30min) ↔ +85°C +/-2°C (30min) 25 cycles Back to the room temperature first, then in 1~2 hours, the component shall be checked. Refer to: JIS C 0025	A

Specifications code	Specifications
A	Frequency variation shall be within +/-5ppm and equivalent resistance shall be within the specification after the test
B	More than 90% of lead shall be covered by new solder.

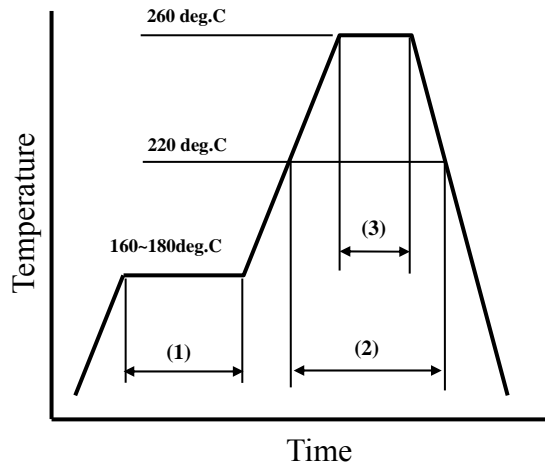
Title <b>HSX531S</b> <b>QUARTZ CRYSTAL SPECIFICATION</b>				Country of origin <b>TAIWAN FACTORY</b> <b>THAILAND FACTORY</b> <b>CHINA FACTORY</b>		
Date	Confirm	Check	Prepare	Spec. No.	Rev.	Page
2015/04/16	F. S. TSAI	Y. W. LEE	U. F. CHEN	<b>X1H008000DI1H-HW</b>	0	10

## 7. Supplement

### 7.1.Soldering

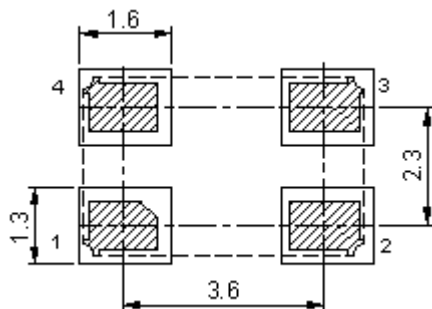
7.2.Please stay with our proposed reflow condition and do then soldering 2 times max.

*Available for Lead Free Soldering*



(1)	Preheat	160~180 deg.C	120sec.
(2)	Primary heat	220 deg.C	60sec.
(3)	Peak	260 deg.C	10sec. Max.

### 7.3.Land pattern layout(Example)



Title <b>HSX531S</b> <b>QUARTZ CRYSTAL SPECIFICATION</b>				Country of origin <b>TAIWAN FACTORY</b> <b>THAILAND FACTORY</b> <b>CHINA FACTORY</b>		
Date	Confirm	Check	Prepare	Spec. No.	Rev.	Page
<b>2015/04/16</b>	F. S. TSAI	Y. W. LEE	U. F. CHEN	<b>X1H008000DI1H-HW</b>	0	11

#### 7.4.Solder iron (Example)

Bit temp.:350°C max., Time: 3sec max. , Each terminal solder a 1 time max.

#### 7.5.Mounting

This component is designed for automatic insertion.

However, you are requested to do the trial with your insertion machine in order to be Sure of proper operation and no damage of component.

Please pay attention to board warp which may damage the component and cause Soldering process.

Avoid mounting and processing by Ultrasonic welding because this method has a possibility of an excessive vibration spreading inside the crystal products and becoming the cause of characteristic deterioration and not oscillating.

#### 7.6.Cleaning

Cleaning liquid which corrodes Nickel shall not be used

It may cause the problem on the surface, color, marking etc.

Ultra-sonic cleaning is possible, however, you are requested to check on your board.

Because we only checked as single unit.

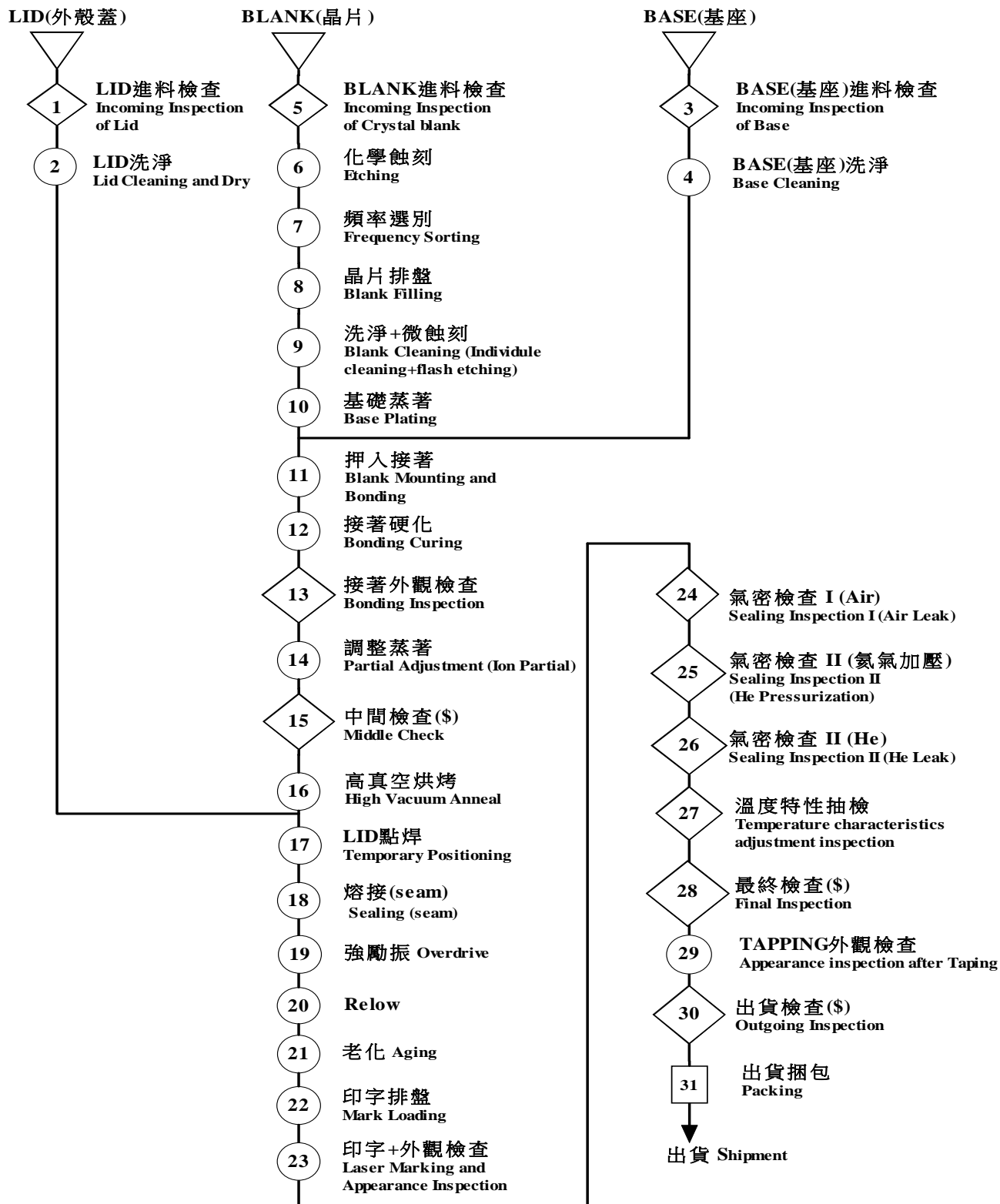
#### 7.7.Storage

Please keep away from high temperature and high humidity, which may cause put Solderbility.

No direct Sunlight, No dew as well.

Title <b>HSX531S</b> <b>QUARTZ CRYSTAL SPECIFICATION</b>				Country of origin <b>TAIWAN FACTORY</b> <b>THAILAND FACTORY</b> <b>CHINA FACTORY</b>		
Date	Confirm	Check	Prepare	Spec. No.	Rev.	Page
<b>2015/04/16</b>	F. S. TSAI	Y. W. LEE	U. F. CHEN	<b>X1H008000DI1H-HW</b>	0	12

### 8. Flow Chard



(\$): 特殊特性  
(For Critical process had been monitored)

Title <b>HSX531S</b> <b>QUARTZ CRYSTAL SPECIFICATION</b>				Country of origin <b>TAIWAN FACTORY</b> <b>THAILAND FACTORY</b> <b>CHINA FACTORY</b>		
Date	Confirm	Check	Prepare	Spec. No.	Rev.	Page
2015/04/16	F. S. TSAI	Y. W. LEE	U. F. CHEN	<b>X1H008000DI1H-HW</b>	0	13

**9. Environmental Workload Chemical Substance Components List**

<b>Environmental Workload Chemical Substance Components List</b>		
<div style="text-align: center;">                     TYPE                       PERCENTAGE                       Chemical Substance Components                 </div>	<b>H(D)SX531S</b>	
	<b>40.4(mg)</b>	<b>ppm</b>
<b>SILICON(Si)</b>	<b>0.15756</b>	<b>63.65</b>
<b>GOLD(Au)</b>	<b>0.15756</b>	<b>63.65</b>
<b>COBALT AND ITS COMPOUND(Co)</b>	<b>2.56944</b>	<b>1038.05</b>
<b>MOLYBDENUM AND ITS COMPOUND(Mo)</b>	<b>0.12928</b>	<b>52.23</b>
<b>SILVER(Ag)</b>	<b>0.71104</b>	<b>287.26</b>
<b>COPPER(Cu)</b>	<b>0.10100</b>	<b>40.80</b>
<b>CHROMIUM AND ITS COMPOUND(Cr)</b>	<b>0.06868</b>	<b>27.75</b>
<b>ALUMINIUM(Al)</b>	<b>11.11000</b>	<b>4488.44</b>
<b>MANGANESE AND ITS COMPOUND(Mn)</b>	<b>0.06464</b>	<b>26.11</b>
<b>WOLFRAM AND ITS COMPOUND(W)</b>	<b>0.15352</b>	<b>62.02</b>
<b>NICKEL AND ITS COMPOUND(Ni)</b>	<b>6.13676</b>	<b>2479.25</b>
<b>IRON(Fe)</b>	<b>9.45764</b>	<b>3820.89</b>

Title <b>HSX531S</b> <b>QUARTZ CRYSTAL SPECIFICATION</b>				Country of origin <b>TAIWAN FACTORY</b> <b>THAILAND FACTORY</b> <b>CHINA FACTORY</b>		
Date	Confirm	Check	Prepare	Spec. No.	Rev.	Page
<b>2015/04/16</b>	<b>F. S. TSAI</b>	<b>Y. W. LEE</b>	<b>U. F. CHEN</b>	<b>X1H008000DI1H-HW</b>	<b>0</b>	<b>14</b>



## X-ON Electronics

Largest Supplier of Electrical and Electronic Components

*Click to view similar products for [Crystals](#) category:*

*Click to view products by [Harmony](#) manufacturer:*

Other Similar products are found below :

[CX3225GB25000M0PPSZ1](#) [718-13.2-1](#) [MC405 32.0000K-R3:PURE SN](#) [7A-40.000MAAE-T](#) [FL2000085](#) [99-BU](#) [9B-15.360MBBK-B](#) [9C-7.680MBBK-T](#) [H10S-12.000-18-EXT-TR](#) [ABC2-6.000MHZ-D4Z-T](#) [ABLS-20.000MHZ-D2-T](#) [ABS071-32.768KHZ-6-T](#) [R38-32.768-12.5-5PPM-NPB](#) [BTD1062E05A-513](#) [21U15A-21.4MHZ](#) [RTX-781DF1-S-20.950](#) [LFXTAL066198Cutt](#) [9C-14.31818MBBK-T](#) [A-11.000MHZ-27](#) [ABL-27.000MHZ-B4Y-T](#) [ABM11-132-24.000MHZ-T3](#) [ABM3B1-25.000MHZ-D2Y-T](#) [SPT2A-.032768B](#) [SPT2A.032768G](#) [SSPT7F-9PF20-R](#) [FX325BS-38.88EEM1201](#) [LFXTAL065253Cutt](#) [LFXTAL066431Cutt](#) [XT9S20ANA14M7456](#) [XT9SNLANA16M](#) [646G-24-2](#) [7A-24.576MBBK-T](#) [7B-30.000MBBK-T](#) [7A-14.31818MBBK-T](#) [6504-202-1501](#) [6526-202-1501](#) [ABLS-12.000MHZ-B2Y-T](#) [ABLS-10.000MHZ-D3W-T](#) [7A-10.000MBBK-T](#) [SG636PCE-20.000MC](#) [3404](#) [E1SAA18-25.000M TR](#) [CM315D32768EZFT](#) [C1E-24.000-7-2020-R](#) [C1E-19.200-12-1530-X-R](#) [C1E-16.000-12-1530-X-R](#) [FL5000014](#) [EUCA18-3.1872M](#) [FX0800015](#) [425F35E027M0000](#)