

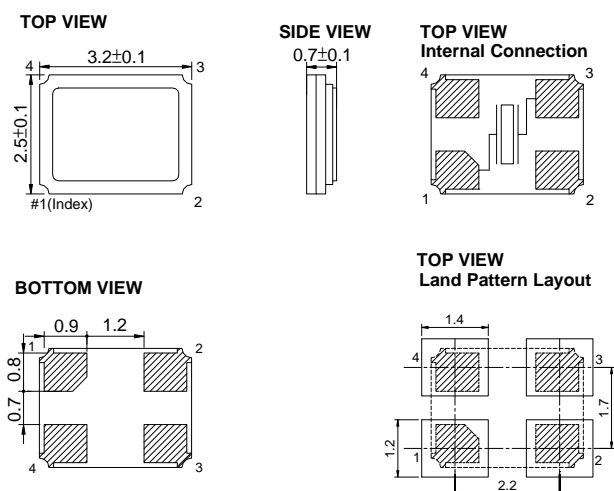
QUARZ CRYSTAL UNIT SPECIFICATION SHEET

CUSTOMER:		PRODUCT TYPE:	QUARTZ CRYSTAL HSX321S 26.000000MHz	20.16.09.29 (RELEASE DATE)
H.ELE P/N:	X3S026000BG1S-HU	CUSTOMER P/N:		
GREEN PRODUCT:		<input checked="" type="checkbox"/> Pb free <input checked="" type="checkbox"/> RoHS Compliant <input checked="" type="checkbox"/> HF-Halogen free <input checked="" type="checkbox"/> REACH Compliant		

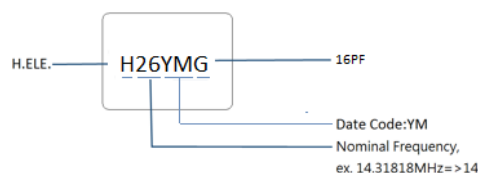
■ Electrical Specification

Items	Electrical Spec.			Unit	Notes
	Min	Type	Max		
1. Mode of oscillation:	Fundamental				
2. Frequency tolerance	-10		+10	ppm	at 25°C±3°C
3. Equivalent resistance (RR)			40	Ω	SERIES
4. Storage temperature range	-40		+85	°C	
5. Operable temperature range	-20		+70	°C	
6. Temperature stability	-10		+10	ppm	-20°C ~ +70°C
7. Loading capacitance (CL)		16		pF	
8. Drive level (DL)		10	100	μW	
9. Shunt Capacitance (C0)			2.0	pF	
10. Insulation resistance	500			MΩ	at DC 100V
11. Aging:	-3		+3	ppm/Year	
12. Circuit:	Measured in HP/E5100A,S&A 250B				
13. Shocking :	Dropping from 120 cm height 3 times on Concrete floor				
14. Variation :	Frequency less than +/-5 ppm; Resistance less than +/- 15 % or 2ohms max.				

■ Dimension



■ Marking



1. Laser marking.

2. Date Code:

Year	2010	2011	2012	2013	2014	2015	2016	2017	2018	2019
(Y)	2020	2021	2022	2023	2024	2025	2026	2027	2028	2029
Code	0	1	2	3	4	5	6	7	8	9

Month (M)	Jan.	Feb.	Mar.	Apr.	May.	Jun.	Jul.	Aug.	Sep.	Oct.	Nov.	Dec.
Code	A	B	C	D	E	F	G	H	J	K	L	M

Note:

X-ON Electronics

Largest Supplier of Electrical and Electronic Components

Click to view similar products for [Crystals](#) category:

Click to view products by [Harmony](#) manufacturer:

Other Similar products are found below :

[CX3225GB25000M0PPSZ1](#) [718-13.2-1](#) [MC405 32.0000K-R3:PURE SN](#) [7A-40.000MAAE-T](#) [FL2000085](#) [99-BU](#) [9B-15.360MBBK-B](#) [9C-7.680MBBK-T](#) [H10S-12.000-18-EXT-TR](#) [ABC2-6.000MHZ-D4Z-T](#) [ABLS-20.000MHZ-D2-T](#) [ABS071-32.768KHZ-6-T](#) [R38-32.768-12.5-5PPM-NPB](#) [BTD1062E05A-513](#) [21U15A-21.4MHZ](#) [RTX-781DF1-S-20.950](#) [LFXTAL066198Cutt](#) [9C-14.31818MBBK-T](#) [A-11.000MHZ-27](#) [ABL-27.000MHZ-B4Y-T](#) [ABM11-132-24.000MHZ-T3](#) [ABM3B1-25.000MHZ-D2Y-T](#) [SPT2A-.032768B](#) [SPT2A.032768G](#) [SSPT7F-9PF20-R](#) [FX325BS-38.88EEM1201](#) [LFXTAL065253Cutt](#) [LFXTAL066431Cutt](#) [XT9S20ANA14M7456](#) [XT9SNLANA16M](#) [7A-24.576MBBK-T](#) [7B-30.000MBBK-T](#) [MMCC2R32.7680KHZ](#) [7A-14.31818MBBK-T](#) [6504-202-1501](#) [6526-202-1501](#) [ABLS-12.000MHZ-B2Y-T](#) [7A-10.000MBBK-T](#) [SG636PCE-20.000MC](#) [3404](#) [E1SAA18-25.000M TR](#) [CM315D32768EZFT](#) [C1E-24.000-7-2020-R](#) [C1E-19.200-12-1530-X-R](#) [C1E-16.000-12-1530-X-R](#) [ABM11-16.000MHZ-9-B1U-T](#) [FL5000014](#) [EUCA18-3.1872M](#) [FX0800015](#) [425F35E027M0000](#)