

# SPECIFICATIONS FOR APPROVAL



Customer Part No.: \_\_\_\_\_ HELE. Part No: **X5H015360FK1H-X**  
Application For: \_\_\_\_\_ Products: **QUARTZ CRYSTAL**  
Accepted Model: \_\_\_\_\_ Type & Freq.: **HSX530G/ 15.360MHz**  
Sample Order No: **EOS-C30225-1** Date: **2012/03/14**

Approved By :

加高電子股份有限公司  
加高電子股份有限公司

**HARMONY ELECTRONICS CORP.**

**HARMONY ELECTRONICS (THAILAND) CO., LTD.**

**HARMONY ELECTRONICS (SHENZHEN) CORP., LTD.**

**TAIPEI OFFICE:**

公司:(114)  
台北市內湖區堤頂大道 2 段 409 號 2 樓  
2F., NO.409, SEC.2, TIDING BLVD.,  
NEIHU DISTRICT, TAIPEI CITY 114,  
TAIWAN (R.O.C.)  
TEL:886-2-26588883  
FAX:886-2-26588683

**TAIWAN FACTORY:**

工廠:(831)  
高雄市大寮區大發工業區華東路 39 號  
No.39, Hua dong Rd., Daliao Dist.,Dafa  
Industrial Park., Kaohsiung City 831,  
Taiwan (R.O.C.)  
TEL: (07)787-1555-6  
FAX: (07)787-1557

**THAILAND FACTORY:**

66MOO 5, KAONGU-BEOKPRAI RD.,  
T.BEOKPRAI, A. BANPONG,  
RAJCHABUREE PROVINCE 70110,  
THAILAND  
TEL: (032)221994-6, 200740-1  
FAX: (032)200742

**SHENZHEN FACTORY:**

深圳市福永鎮塘尾村塘橋路聚源工業區  
QIAO TANG RD., TANGWEI VILLAGE  
FU YONG TOWN SHENZHEN CITY  
CHINA  
TEL: 0755-7309272 / 7309262  
FAX: 0755-7309755

Title <b>HSX530G</b> <b>QUARTZ CRYSTAL SPECIFICATION</b>				Country of origin <b>TAIWAN</b> <b>FACTORY</b> <b>THAILAND</b> <b>FACTORY</b> <b>SHENZHEN</b> <b>FACTORY</b>		
Date	Confirm	Check	Prepare	Spec. No.	Rev.	Page
<b>2012/03/14</b>	F. S. TSAI	C. L. WANG	U. F. CHEN	<b>X5H015360FK1H-X</b>	0	1

**HARMONY ELECTRONICS CORP.**

# HSX530G SPECIFICATION

## INDEX

ITEM	PAGE
1. QUARTZ CRYSTAL UNIT SPECIFICATION . . . . .	3
2. MARKING & DIMENSIONS . . . . .	4
3. INSIDE STRUCTURE . . . . .	5
4. EMBOSS CARRIER TAPE&REEL . . . . .	6
a. DIMENSIONS OF CARRIER TAPE . . . . .	6
b. DIMENSIONS OF REEL . . . . .	6-7
c. STORAGE CONDITION . . . . .	7
d. STANDARD PACKING QUANTITY . . . . .	7
e. MATERIAL OF TAPE . . . . .	7
f. LABEL CONTENTS . . . . .	7
g. TAPING DIMENSION . . . . .	8
h. JOINT OF TAPE . . . . .	8
i. RELEASE STRENGTH OF COVER TAPE . . . . .	8
j. PACKAGE . . . . .	9
5. MECHANICAL ENDURANCE . . . . .	10-11
6. ENVIRONMENTAL ENDURANCE . . . . .	12
7. Flow Chart . . . . .	13
8. Environmental Workload Chemical Substance Components List . .	14
9. TEST DATA . . . . .	

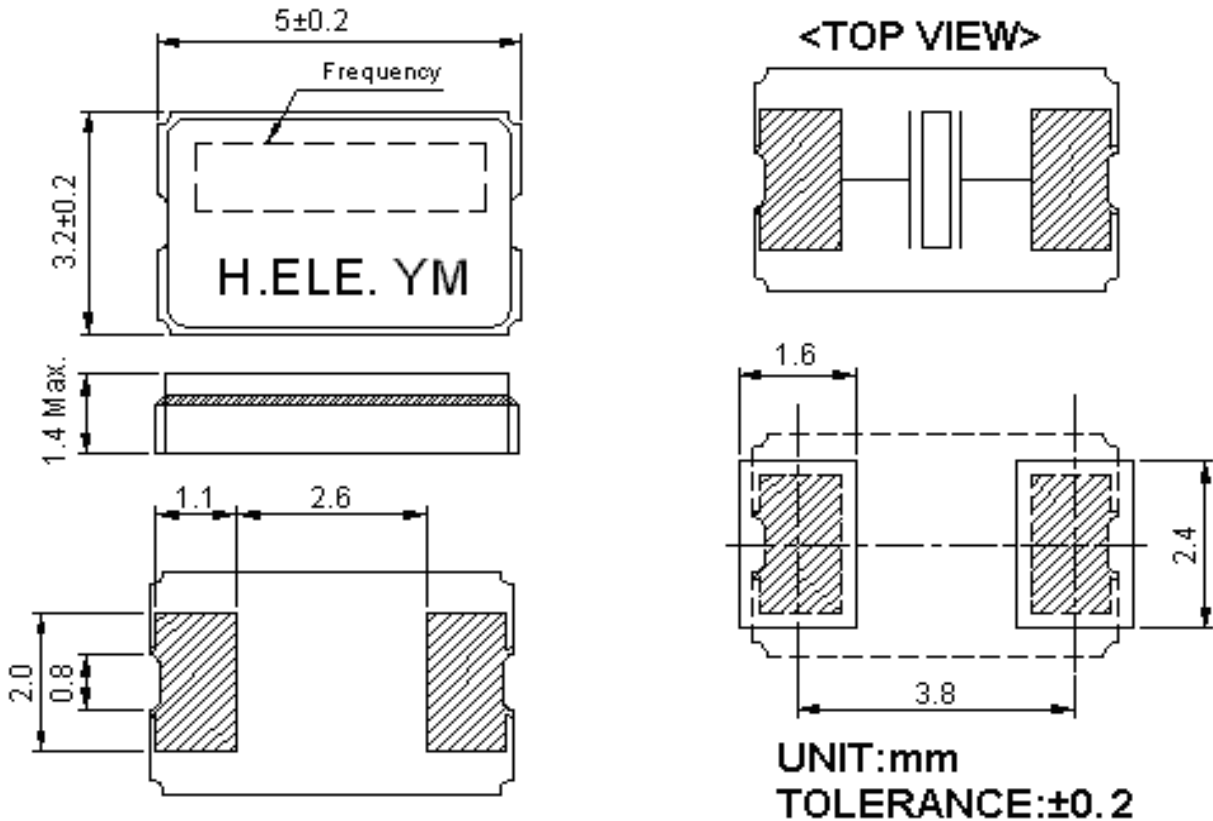
Title <b>HSX530G</b> <b>QUARTZ CRYSTAL SPECIFICATION</b>				Country of origin <b>TAIWAN FACTORY</b> <b>THAILAND FACTORY</b> <b>SHENZHEN FACTORY</b>		
Date	Confirm	Check	Prepare	Spec. No.	Rev.	Page
2012/03/14	F. S. TSAI	C. L. WANG	U. F. CHEN	<b>X5H015360FK1H-X</b>	0	2

# 1. QUARTZ CRYSTAL UNIT SPECIFICATION

- 1. Frequency: 15.360000MHz
- 2. Holder type : **HSX530G**
- 3. Frequency tolerance: +/-30ppm at 25deg.C +/- 3deg.C
- 4. Equivalent resistance: 100 ohms Max. / SERIES
- 5. Storage temperature range: -40deg.C To +85deg.C
- 6. Operable temperature range: -40deg.C To +85deg.C
- 7. Temperature drift: +/-50ppm -40deg.C To +85deg.C
- 8. Loading capacitance (CL) : 20.0pF
- 9. Drive level: 10 uW (300uW Max)
- 10. Shunt Capacitance: 7.0 pF Max.
- 11. Insulation resistance : More than 500M ohms at DC 100V
- 12. Mode of oscillation: Fundamental
- 13. Circuit: Measured in HP/E5100A,S&A 250B
- 14. Shocking : Dropping from 50 cm height 3 times on firm wood  
 Variation : Frequency less than +/-5 ppm  
 Resistance less than +/- 15 % or 2ohms max.
- 15. Aging: Less than +/-5 ppm/Year
- 16. Holder HSX530G Ceramic Base
- 17. Dimensions and marking Refer to page.4
- 18 Emboss carrier tape & reel Refer to page.6 and page.7
- 19 Note:

Title <b>HSX530G</b> <b>QUARTZ CRYSTAL SPECIFICATION</b>				Country of origin <b>TAIWAN FACTORY</b> <b>THAILAND FACTORY</b> <b>SHENZHEN FACTORY</b>		
Date	Confirm	Check	Prepare	Spec. No.	Rev.	Page
2012/03/14	F. S. TSAI	C. L. WANG	U. F. CHEN	<b>X5H015360FK1H-X</b>	0	3

## 2. HSX530G MARKING & DIMENSIONS



\*Marking should be printed as following:

Nominal Frequency, Logo, Manufactured year & month

\*Nominal frequency ( $m$ ) = 3 number after decimal point MAX.  
( ex. 12.000 MHz  $\rightarrow$  12.000 )

\*Manufacturing Lot No.

(Y: year) ex. 2000 shall be marked as ' 0 ' (As shown on the Table-1)

(M: month) ex. June shall be marked as ' F ' (As shown on the Table-2).

**Marking : Laser marking.**

(Table-1)

Year	2000	2001	2002	2003	2004	2005	2006	2007	2008	2009
	2010	2011	2012	2013	2014	2015	2016	2017	2018	2019
Code	0	1	2	3	4	5	6	7	8	9

(Table-2)

Jan.	Feb.	Mar.	Apr.	May.	Jun.	Jul.	Aug.	Sep.	Oct.	Nov.	Dec.
A	B	C	D	E	F	G	H	J	K	L	M

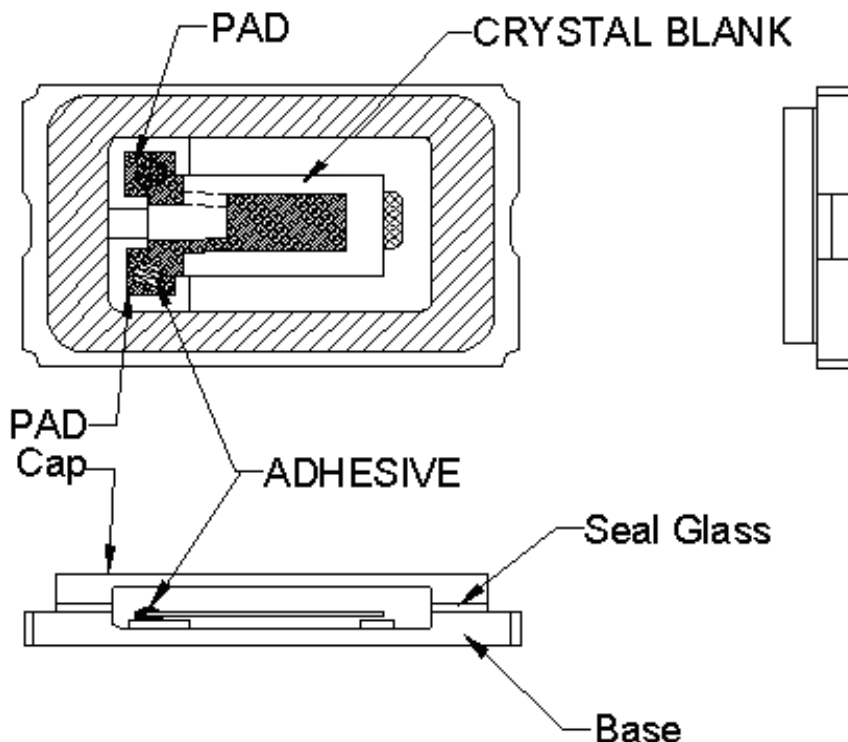
Title **HSX530G**  
**QUARTZ CRYSTAL SPECIFICATION**

Country of origin **TAIWAN** **FACTORY**  
**THAILAND** **FACTORY**  
**SHENZHEN** **FACTORY**

Date	Confirm	Check	Prepare	Spec. No.	Rev.	Page
2012/03/14	F. S. TSAI	C. L. WANG	U. F. CHEN	<b>X5H015360FK1H-X</b>	0	4

**HARMONY ELECTRONICS CORP.**

### 3. INSIDE STRUCTURE



※Reference drawing

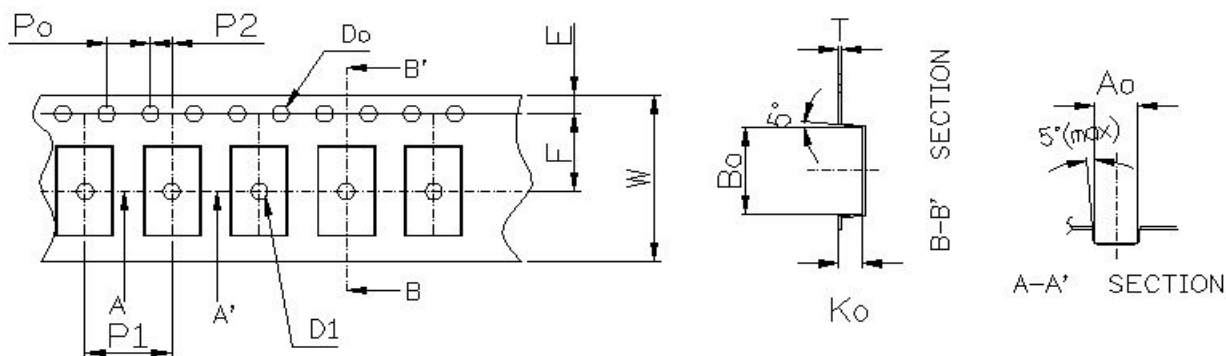
(1) Base: Alumina Ceramic ( $Al_2O_3$ ) Metallized Pad: Ni Plating Au Plating
(2) Cap: Alumina Ceramic ( $Al_2O_3$ )
(3) Crystal Enclosure Seal: Seal Glass
(4) Crystal Blank Rectangular At-Cut Quartz Crystal Blank
(5) Adhesive Silver Conductive Silicon Resin
(6) PAD Alumina Ceramic (Ni, Au)

The use prohibition chemistry substance of Table 1 of DHE-0204-1 (HE-QA-24) is not included in this item.

Title <b>HSX530G</b> <b>QUARTZ CRYSTAL SPECIFICATION</b>				Country of origin <b>TAIWAN FACTORY</b> <b>THAILAND FACTORY</b> <b>SHENZHEN FACTORY</b>		
Date	Confirm	Check	Prepare	Spec. No.	Rev.	Page
2012/03/14	F. S. TSAI	C. L. WANG	U. F. CHEN	<b>X5H015360FK1H-X</b>	0	5

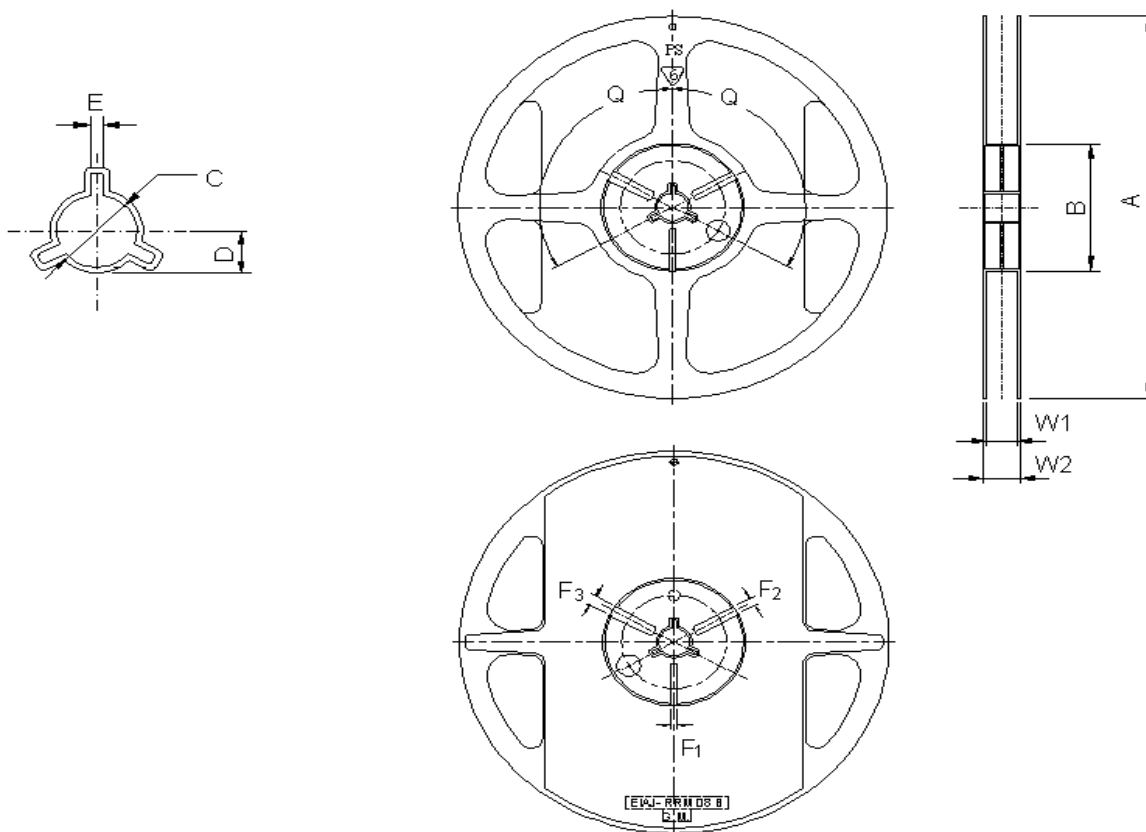
#### 4. HSX530G EMBOSS CARRIER TAPE & REEL

##### a.) Dimensions of Carrier Tape



Symbol	<b>Ao</b>	<b>Bo</b>	<b>Ko</b>	<b>Po</b>	<b>P1</b>	<b>P2</b>	<b>T</b>
Spec	3.60±0.1	5.40±0.1	1.40±0.1	4.0±0.1	8.0±0.1	2.0±0.05	0.30±0.05
Symbol	<b>E</b>	<b>F</b>	<b>Do</b>	<b>D1</b>	<b>W</b>	<b>10Po</b>	
Spec	1.75±0.1	5.50±0.05	1.55±0.05	1.50(min)	12.0±0.2	40.0±0.1	

##### b.) Dimensions of Reel



Title **HSX530G**  
**QUARTZ CRYSTAL SPECIFICATION**

Country of origin **TAIWAN** **FACTORY**  
**THAILAND** **FACTORY**  
**SHENZHEN** **FACTORY**

Date	Confirm	Check	Prepare	Spec. No.	Rev.	Page
2012/03/14	F. S. TSAI	C. L. WANG	U. F. CHEN	<b>X5H015360FK1H-X</b>	0	6

**HARMONY ELECTRONICS CORP.**

(Table-2)

(UNIT: mm)

ITEM		MARK	DIMENSIONS · ANGLE	
FLANCE	Diameter	A	$\phi$ 180+0/-3	
	Inner Width	W1	12.8+/-0.3	
	Outer Width	W2	15.5+/-1.0	
HUB	Out Line diameter		B	$\phi$ 60.5+/-0.5
	Center Core slit	Width	F1	3.0+0.5/-0
			F2	4.0+0.5/-0
		F3	5.0+0.5/-0	
	Position		q	120deg
	Spindle diameter		C	$\phi$ 13.2+/-0.5
Key Ditch	Width	E	3.0+/-0.2	

## c.) Storage condition

Temperature: +40°C Max.

Relative Humidity: 80% Max.



## d.) Standard packing quantity

1,000 PCS / REEL

## e.) Material of the tape

Tape	Material
Carrier tape	PS
Top tape	PET

## f.) Label contents

	
TYPE:	
SPEC.No.:	
Parts No.:	
Lot No.:	
FREQ.:	MHz
Q'TY:	PCS
HARMONY ELECTRONICS CORP.  ROHS	

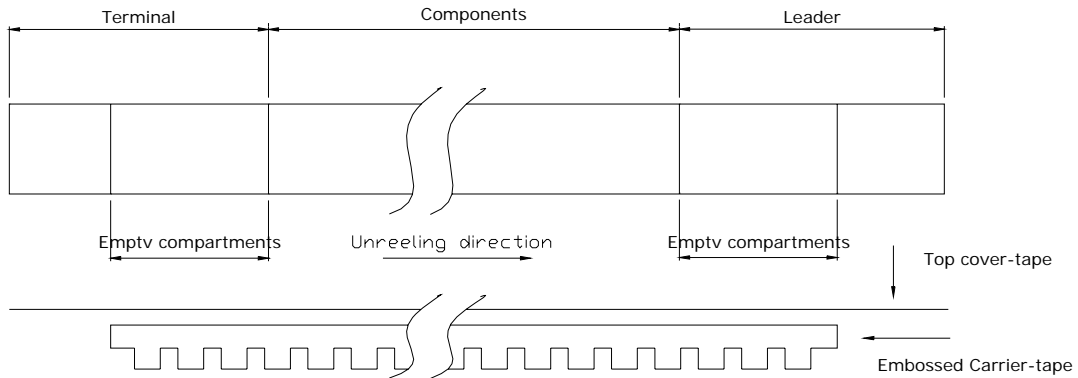
Sticks label for every reel.

Title <b>HSX530G</b> <b>QUARTZ CRYSTAL SPECIFICATION</b>				Country of origin <b>TAIWAN FACTORY</b> <b>THAILAND FACTORY</b> <b>SHENZHEN FACTORY</b>		
Date	Confirm	Check	Prepare	Spec. No.	Rev.	Page
2012/03/14	F. S. TSAI	C. L. WANG	U. F. CHEN	<b>X5H015360FK1H-X</b>	0	7

HARMONY ELECTRONICS CORP.

g.) Taping dimension

Leader	Cover-tape	The length of cover-tape in the leader is more than 400 mm including empty embossed area.
	Carrier-tape	After all products were packaged, must remain more than twenty pieces or 400 mm empty area, which should be sealed by cover-tape.
Terminal	Cover-tape	The tip of cover-tape shall be fixed temporary by paper tape and roll around the core of reel one round.
	Carrier-tape	The empty embossed area which are sealed by top cover-tape must remain more the 40 mm.



h.) Joint of tape

The carrier-tape and top cover-tape should not be jointed.

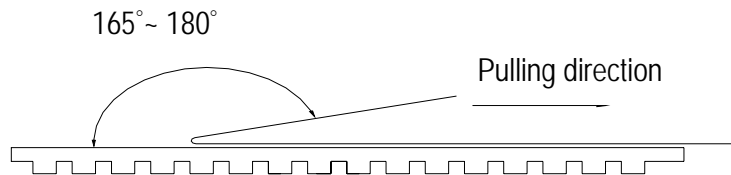
i.) Release strength of cover tape

It has to between 0.1N to 0.7N under following condition.

Pulling direction 165° to 180°

Speed 300mm/min.

Otherwise unless specified.



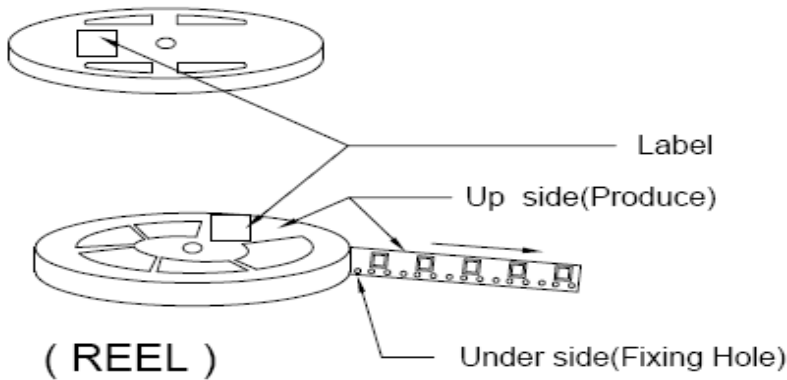
Other standards shall be based on JIS C 0806-1990.


Title <b>HSX530G</b> <b>QUARTZ CRYSTAL SPECIFICATION</b>				Country of origin <b>TAIWAN</b> <b>FACTORY</b> <b>THAILAND</b> <b>FACTORY</b> <b>SHENZHEN</b> <b>FACTORY</b>		
Date	Confirm	Check	Prepare	Spec. No.	Rev.	Page
2012/03/14	F. S. TSAI	C. L. WANG	U. F. CHEN	<b>X5H015360FK1H-X</b>	0	8



j.) Package

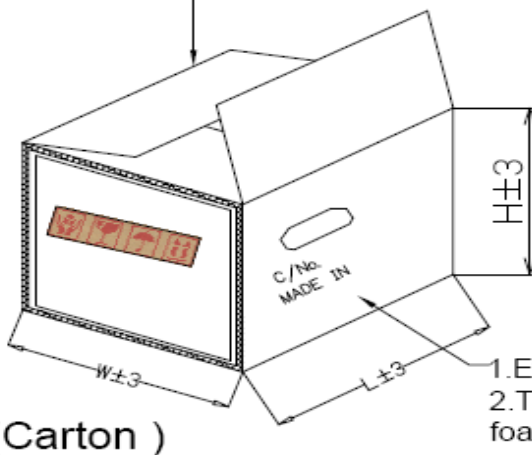
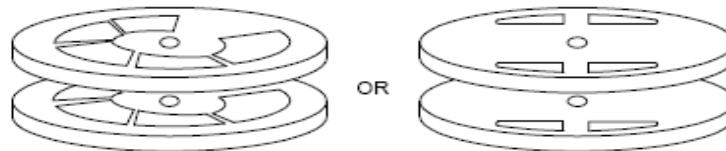
1.Reel : $\varnothing$ 180



	
TYPE:	
SPEC.No.:	
Parts No.:	
LotNo.:	
FREQ:	MHz
Q'TY:	PCS
HARMONY ELECTRONICS CORP. (H.ELE) ROHS	

## 2. Carton One reel quantity:[ 1000pcs] &[ 3000pcs]

- ①Top and bottom with 2.3cm thickness foam-rubber cushion for protection.
- ②Carton's Q'TY:1~15 pcs.
- ③Carton Type=A,B,C use 4 trigon pillar to fasten the Reel.
- ④Need to add 3 pages dry agent in each outer box.



Carton Type	A	B	C	D
Produce Type	840/751	630/531/ 421	321/21	OTHER
Reel	15	15	15	1~7
L±3	200	200	200	195
W±3	200	200	200	195
H±3	230	230	230	150

1. Every Carton with 3 desiccant.
2. Top and bottom with 2.3cm thickness foam-rubber cushion for protection

Title <b>HSX530G</b> <b>QUARTZ CRYSTAL SPECIFICATION</b>				Country of origin <b>TAIWAN</b> <b>FACTORY</b> <b>THAILAND</b> <b>FACTORY</b> <b>SHENZHEN</b> <b>FACTORY</b>		
Date	Confirm	Check	Prepare	Spec. No.	Rev.	Page
2012/03/14	F. S. TSAI	C. L. WANG	U. F. CHEN	<b>X5H015360FK1H-X</b>	0	9

**5. Mechanical Endurance: Provided that measurement shall be carried out after it alone in the room temperature for 1 hour.**

Item	Test Methods	Specifications Code
1	Drop Should be satisfied after dropping three times from the height of 50 cm onto hard wooden board of thickness more than 30mm.	A
2	Vibration Should be satisfied after supplying following vibration. (1)Vibration Frequency: 10~55Hz (2)Cycle: 1 to 2 Min. (3)Amplitude: 0.8mm (4)Direction: X.Y.Z (5)Time: 2 Hours / Each Direction	A
3	Substrate Bending Mount the specimen on substrate. Apply the following pressure Direction: see Fig -1 Speed: 0.5 mm/sec Hours: 5 ± 1 sec Amount of substrate: 3 mm Max.	C
4	Adhesion Mount the specimen on substrate. Apply the following pressure Direction: see Fig -2 Weight: 5N Hours: 10 ± 1 sec	
5	Body strength Mount the specimen on substrate. Apply the following pressure Direction: see Fig -3 Weight: 10N Hours: 10 ± 1 sec	

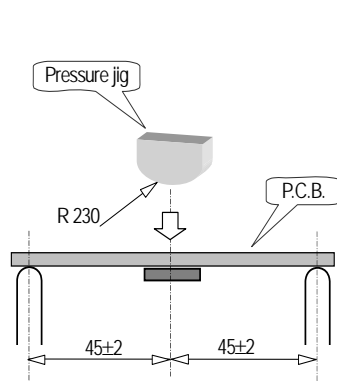


Fig-1

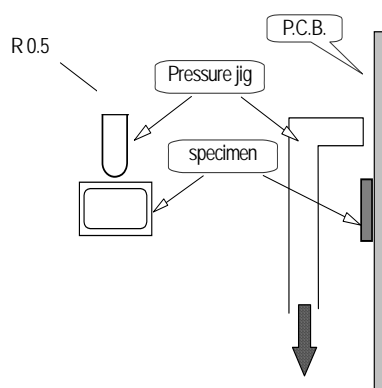


Fig-2

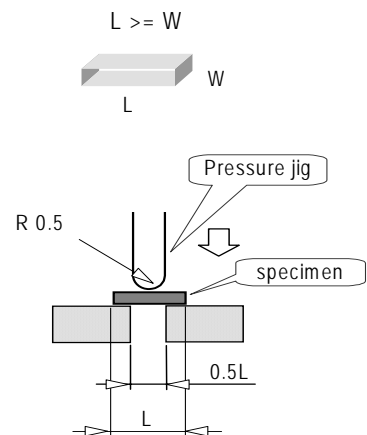
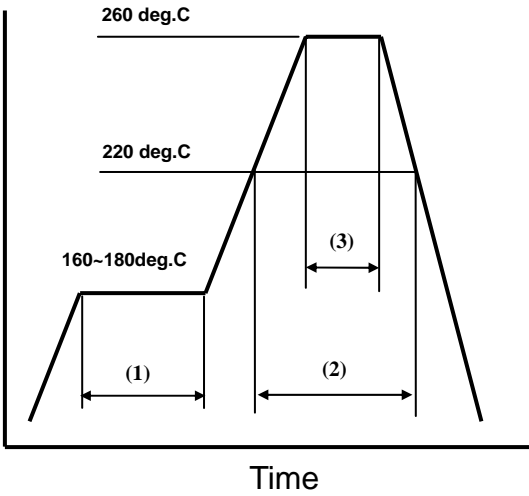


Fig-3

Title **HSX530G**  
**QUARTZ CRYSTAL SPECIFICATION**

Country of origin **TAIWAN** **FACTORY**  
**THAILAND** **FACTORY**  
**SHENZHEN** **FACTORY**

Date	Confirm	Check	Prepare	Spec. No.	Rev.	Page
2012/03/14	F. S. TSAI	C. L. WANG	U. F. CHEN	<b>X5H015360FK1H-X</b>	0	10

6	Seal	Less than $1.0 \times 10^{-8}$ Pa.m <sup>3</sup> /sec by Helium leak detector. Also, no serial bubble is observed by Fluorinate tests.	---												
7	Solder ability	3sec +/-0.5sec. Dip in 245deg.C +/-5deg.C solder. (Use ROSIN type flux for solder.)	B												
8	Resistance to Soldering Heat	<p>Run in reflow Reflow soldering shall be allowed Only two (2) time.</p> <p><i>Available for Lead Free Soldering</i></p>  <table border="1" data-bbox="534 1086 1093 1189"> <tr> <td>(1)</td> <td>Preheat</td> <td>160~180 deg.C</td> <td>120sec.</td> </tr> <tr> <td>(2)</td> <td>Primary heat</td> <td>220 deg.C</td> <td>60sec.</td> </tr> <tr> <td>(3)</td> <td>Peak</td> <td>260 deg.C</td> <td>10sec. Max.</td> </tr> </table>	(1)	Preheat	160~180 deg.C	120sec.	(2)	Primary heat	220 deg.C	60sec.	(3)	Peak	260 deg.C	10sec. Max.	A
(1)	Preheat	160~180 deg.C	120sec.												
(2)	Primary heat	220 deg.C	60sec.												
(3)	Peak	260 deg.C	10sec. Max.												

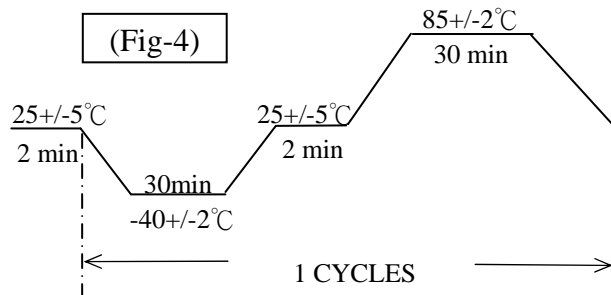
Title **HSX530G**  
**QUARTZ CRYSTAL SPECIFICATION**

Country of origin **TAIWAN FACTORY**  
**THAILAND FACTORY**  
**SHENZHEN FACTORY**

Date <b>2012/03/14</b>	Confirm F. S. TSAI	Check C. L. WANG	Prepare U. F. CHEN	Spec. No. <b>X5H015360FK1H-X</b>	Rev. 0	Page 11
---------------------------	-----------------------	---------------------	-----------------------	-------------------------------------	-----------	------------

**6. Environmental Endurance: Provided that measurement shall be carried out after letting it alone in the room temperature for 1 hour.**

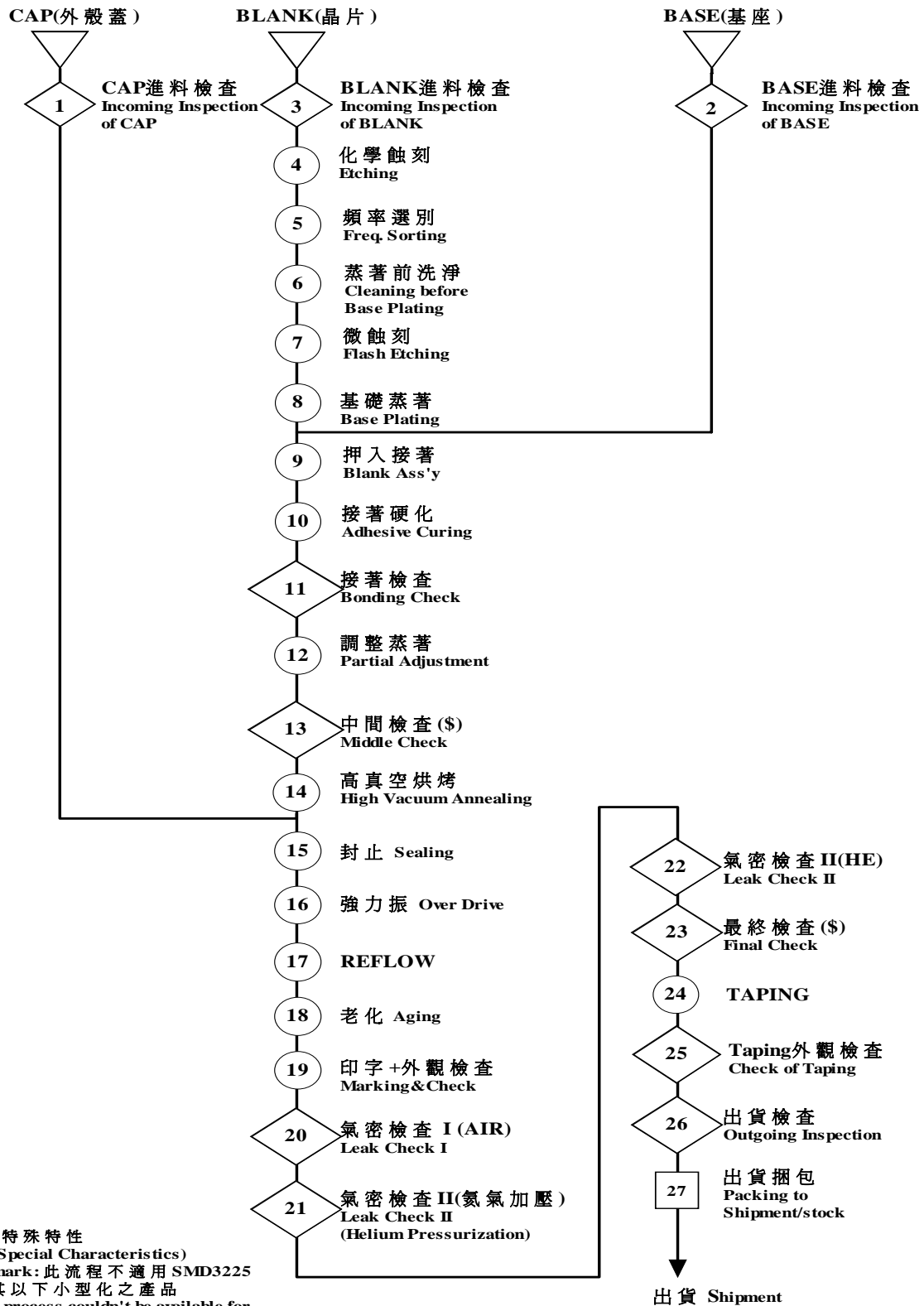
	Item	Test Methods	Specifications Code
1	Humidity	Should be satisfied after letting it alone at +60deg.C+/-2deg.C in humidity of 90% ~ 95% for 240 hours.	A
2	Storage in Low Temperature	Should be satisfied after letting it alone at -40deg.C+/-2deg.C for 240 hours.	A
3	Storage in High Temperature	Should be satisfied after letting it alone at +85deg.C+/-2deg.C for 240 hours.	A
4	Thermal Shock	Should be satisfied after supplying the following temperature cycle (25 cycles). (Refer to Fig-4). Temperature increasing or reducing time within 3 minutes.	A



Specifications code	Specifications
<b>A</b>	Frequency variation shall be within +/-5ppm and equivalent resistance shall be within the specification after the test
<b>B</b>	More than 90% of lead shall be covered by new solder.
<b>C</b>	Without mechanical damage such as breaks. Without electrode peeling. Electrical characteristics shall be satisfied.

Title <b>HSX530G</b> <b>QUARTZ CRYSTAL SPECIFICATION</b>				Country of origin <b>TAIWAN FACTORY</b> <b>THAILAND FACTORY</b> <b>SHENZHEN FACTORY</b>		
Date	Confirm	Check	Prepare	Spec. No.	Rev.	Page
2012/03/14	F. S. TSAI	C. L. WANG	U. F. CHEN	<b>X5H015360FK1H-X</b>	0	12

# 7. Flow Chart



Title <b>HSX530G</b> <b>QUARTZ CRYSTAL SPECIFICATION</b>				Country of origin <b>TAIWAN FACTORY</b> <b>THAILAND FACTORY</b> <b>SHENZHEN FACTORY</b>		
Date	Confirm	Check	Prepare	Spec. No.	Rev.	Page
2012/03/14	F. S. TSAI	C. L. WANG	U. F. CHEN	<b>X5H015360FK1H-X</b>	0	13

**8. Environmental Workload Chemical Substance Components List**

<b>Environmental Workload Chemical Substance Components List</b>		
<b>TYPE</b>  <b>PERCENTAGE</b>	<b>H(D)SX530G</b>	
	<b>47(mg)</b>	<b>ppm</b>
<b>Chemical Substance Components</b>		
<b>Silicon(Si)</b>	<b>0.21150</b>	<b>99.4050</b>
<b>Gold(Au)</b>	<b>0.06110</b>	<b>28.7170</b>
<b>Fluorinre(F)</b>	<b>0.98700</b>	<b>463.8900</b>
<b>Titanium(Ti)</b>	<b>0.22560</b>	<b>106.0320</b>
<b>Boron(B)</b>	<b>0.06110</b>	<b>28.7170</b>
<b>Cobalt and its compound(Co)</b>	<b>0.04042</b>	<b>18.9974</b>
<b>Lead(Pb)</b>	<b>3.40280</b>	<b>1599.3160</b>
<b>Bismuth(Bi)</b>	<b>0.23500</b>	<b>110.4500</b>
<b>Silver(Ag)</b>	<b>0.08930</b>	<b>41.9710</b>
<b>Chromium and its compound(Cr)</b>	<b>0.07520</b>	<b>35.3440</b>
<b>Zinc(Zn)</b>	<b>0.68620</b>	<b>322.5140</b>
<b>Aluminum(Al)</b>	<b>21.14530</b>	<b>9938.2910</b>
<b>Manganese and its compound(Mn)</b>	<b>0.22090</b>	<b>103.8230</b>
<b>Wolfram and its compound(W)</b>	<b>0.24910</b>	<b>117.0770</b>
<b>Nickel and its compound(Ni)</b>	<b>0.17390</b>	<b>81.7330</b>
<b>Iron(Fe)</b>	<b>1.82830</b>	<b>859.3010</b>

Title <b>HSX530G</b> <b>QUARTZ CRYSTAL SPECIFICATION</b>				Country of origin <b>TAIWAN FACTORY</b> <b>THAILAND FACTORY</b> <b>SHENZHEN FACTORY</b>		
Date	Confirm	Check	Prepare	Spec. No.	Rev.	Page
<b>2012/03/14</b>	<b>F. S. TSAI</b>	<b>C. L. WANG</b>	<b>U. F. CHEN</b>	<b>X5H015360FK1H-X</b>	<b>0</b>	<b>14</b>

## X-ON Electronics

Largest Supplier of Electrical and Electronic Components

*Click to view similar products for [Crystals](#) category:*

*Click to view products by [Harmony](#) manufacturer:*

Other Similar products are found below :

[CX3225GB25000M0PPSZ1](#) [718-13.2-1](#) [MC405 32.0000K-R3:PURE SN](#) [7A-40.000MAAE-T](#) [FL2000085](#) [99-BU](#) [9B-15.360MBBK-B](#) [9C-7.680MBBK-T](#) [H10S-12.000-18-EXT-TR](#) [ABC2-6.000MHZ-D4Z-T](#) [ABLS-20.000MHZ-D2-T](#) [ABS071-32.768KHZ-6-T](#) [R38-32.768-12.5-5PPM-NPB](#) [BTD1062E05A-513](#) [21U15A-21.4MHZ](#) [RTX-781DF1-S-20.950](#) [LFXTAL066198Cutt](#) [9C-14.31818MBBK-T](#) [A-11.000MHZ-27](#) [ABL-27.000MHZ-B4Y-T](#) [ABM11-132-24.000MHZ-T3](#) [ABM3B1-25.000MHZ-D2Y-T](#) [SPT2A-.032768B](#) [SPT2A.032768G](#) [SSPT7F-9PF20-R](#) [FX325BS-38.88EEM1201](#) [LFXTAL065253Cutt](#) [LFXTAL066431Cutt](#) [XT9S20ANA14M7456](#) [XT9SNLANA16M](#) [646G-24-2](#) [7A-24.576MBBK-T](#) [7B-30.000MBBK-T](#) [7A-14.31818MBBK-T](#) [6504-202-1501](#) [6526-202-1501](#) [ABLS-12.000MHZ-B2Y-T](#) [ABLS-10.000MHZ-D3W-T](#) [7A-10.000MBBK-T](#) [SG636PCE-20.000MC](#) [3404](#) [E1SAA18-25.000M TR](#) [CM315D32768EZFT](#) [C1E-24.000-7-2020-R](#) [C1E-19.200-12-1530-X-R](#) [C1E-16.000-12-1530-X-R](#) [FL5000014](#) [EUCA18-3.1872M](#) [FX0800015](#) [425F35E027M0000](#)