

H.ELE. Specifications for Approval



CUSTOMER

PRODUCT TYPE

Quartz Crystal SMD-49

NOMINAL FREQUENCY

12.000000MHz

H.ELE. SAMPLE O/N

EOS-H20016-2

H.ELE. P/N

XSA012000DK1H-OX

RELEASE DATE

2017/02/09

VERSION

00

MSL

Level 01

GREEN PRODUCT

Pb free RoHS Compliant

HF-Halogen free REACH Compliant

CUSTOMER P/N

APPLICATION & MODEL

APPROVED BY CUSTOMER

(DATE)

Harmony Electronics Corp.

F. S. TSAI Y. W. LEE U. F. CHEN
(APPROVE) (CHECK) (PREPARE)

Country of Origin: Taiwan Factory
Thailand Factory
China Factory

HARMONY ELECTRONICS CORPRATION

KAOHSIUNG

TAIPEI

THAILAND

SHENZHEN

SUZHOU

TEL: 886-2-26588883

Email: contactus@hele.com.tw



Contents

ITEM	PAGE
1. QUARTZ CRYSTAL UNIT SPECIFICATION	1
2. DIMENSIONS	2
3. MARKING	2
4. INSIDE STRUCTURE	3
5. EMBOSS CARRIER TAPE&REEL	3-4
6. PACKAGE	4
7. MECHANICAL PERFORMANCE	4-5
8. ENVIRONMENTAL PERFORMANCE	5
9. APPENDIX	

HARMONY ELECTRONICS CORPRATION

KAOSIUNG

TAIPEI

THAILAND

SHENZHEN

SUZHOU

TEL: 886-2-26588883

Email: contactus@hele.com.tw



1. QUARZ CRYSTAL UNIT SPECIFICATION

Items	Electrical Spec.			Unit	Notes
	Min	Type	Max		
1. Frequency (FL)	12.000000			MHz	
2. Mode of oscillation:	Fundamental				AT-cut
3. Frequency tolerance	-20	-	+20	ppm	at 25°C±3°C
4. Equivalent resistance (RR)	-	-	50	Ω	SERIES
5. Storage temperature range	-40	-	+85	°C	
6. Operable temperature range	-40	-	+85	°C	
7. Temperature stability	-50	-	+50	ppm	-40°C ~ +85°C
8. Loading capacitance (CL)	-	20.0	-	pF	
9. Drive level (DL)	-	50	300	μW	
10. Shunt Capacitance (C0)	-	-	7.0	pF	
11. Insulation resistance	500	-	-	MΩ	at DC 100V
12. Aging:	-5	-	+5	ppm/ year	
13. Circuit:	Measured in HP/E5100A,S&A 250B				

Note:



HARMONY ELECTRONICS CORPRATION

KAOSIUNG

TAIPEI

THAILAND

SHENZHEN

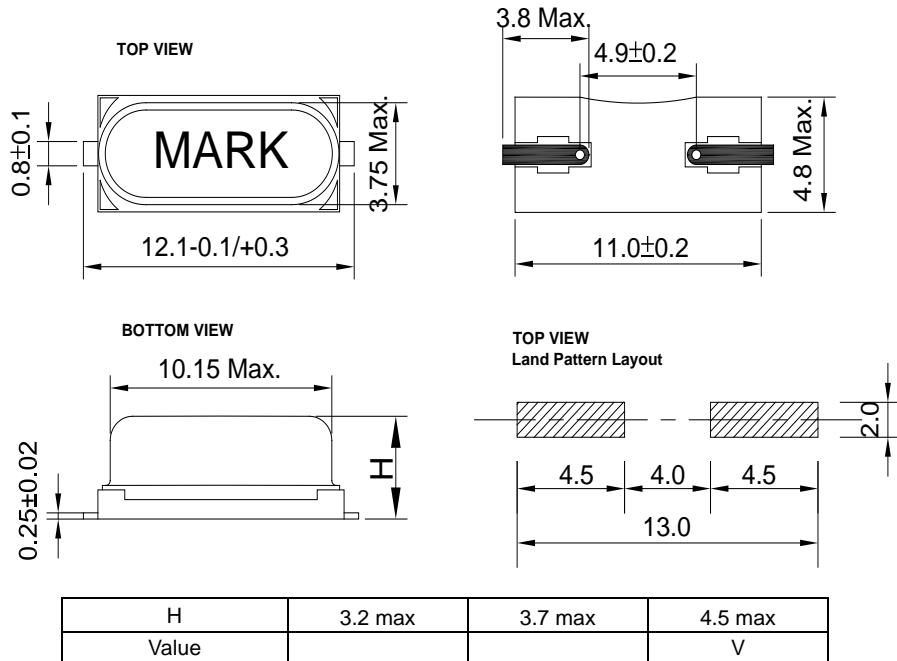
SUZHOU

TEL: 886-2-26588883

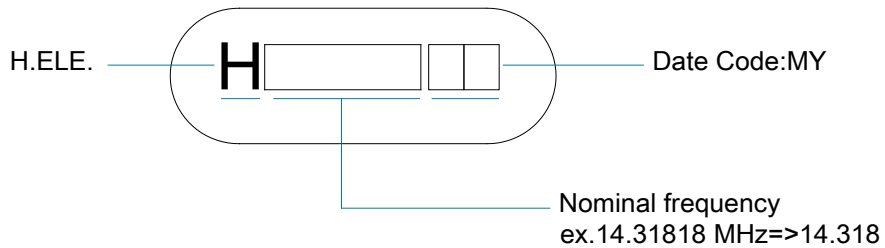
Email: contactus@hele.com.tw



2. DIMENSION



3. MARKING



Note:

1. Laser marking.
2. Date Code:

M=Month	Jan.	Feb.	Mar.	Apr.	May.	Jun.	Jul.	Aug.	Sep.	Oct.	Nov.	Dec.
Code	A	B	C	D	E	F	G	H	J	K	L	M
Y=Year	2010	2011	2012	2013	2014	2015	2016	2017	2018	2019		
	2020	2021	2022	2023	2024	2025	2026	2027	2028	2029		
Code	0	1	2	3	4	5	6	7	8	9		

HARMONY ELECTRONICS CORPRATION

KAOHSIUNG

TAIPEI

THAILAND

SHENZHEN

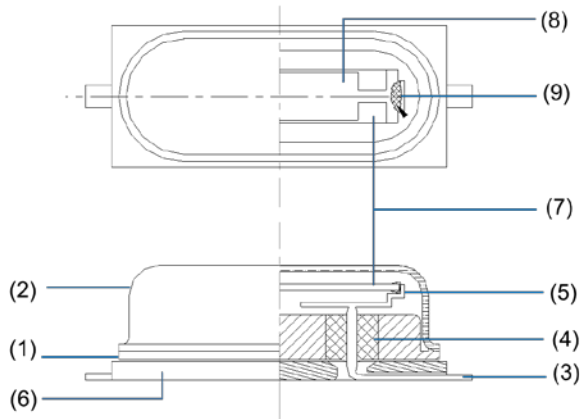
SUZHOU

TEL: 886-2-26588883

Email: contactus@hele.com.tw



4. INSIDE STRUCTURE



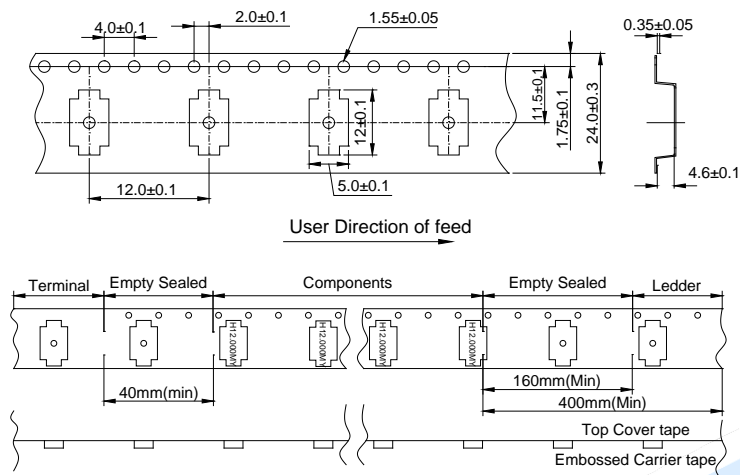
Reference drawing

No.	Component	Note
(1)	Base	
(2)	Can	
(3)	Lead	Free Pb
(4)	Glass	
(5)	Support	
(6)	Insulator	
(7)	Blank	
(8)	Electrode	
(9)	Connective Adhesive	

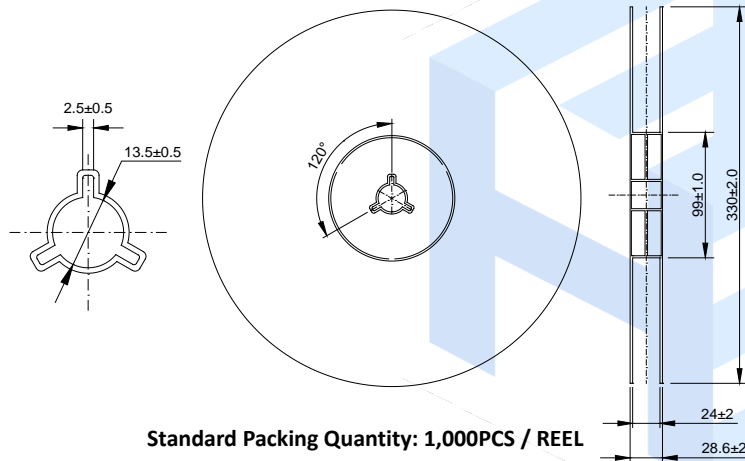
※The use prohibition chemistry substance of Table 1 of DHE-0204-1 (HE-QA-24) is not included in this item.

5. EMOSS CARRIER TAPE AND REEL

■ Carrier Tape



■ Reel



HARMONY ELECTRONICS CORPRATION

KAOSIUNG

TAIPEI

THAILAND

SHENZHEN

SUZHOU

TEL: 886-2-26588883

Email: contactus@hele.com.tw



■ **Joint of tape**

The carrier-tape and top cover-tape should not be jointed.

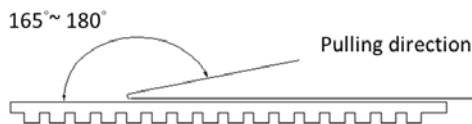
■ **Release strength of cover tape**

It has to between 0.1N to 0.7N under following condition.

Pulling direction: 165° to 180°

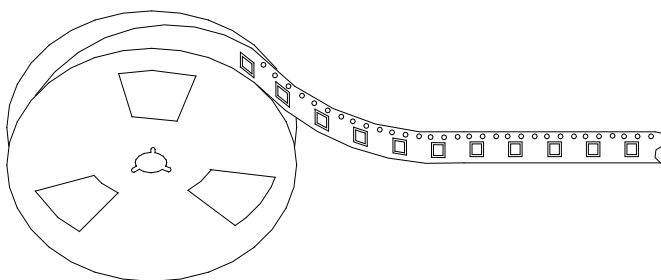
Speed: 300mm/min.

Otherwise unless specified.



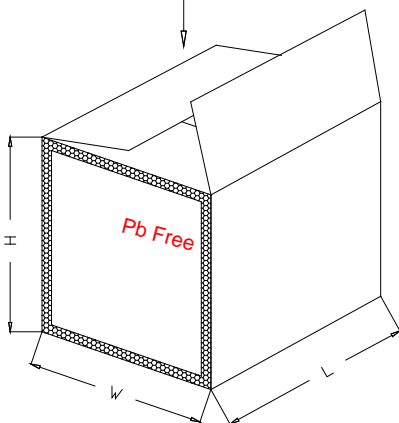
Other standards shall be based on JIS C 0806-1990.

6. PACKAGE



Reel

One reel quantity: 1000pcs



Carton (Corrugated Carton)
Thickness: 7±1mm

Carton Size(mm)

Q'ty	REEL Carton	∅	330
	L±5	340	
	W±5	340	
10 reels	H±5	335	
5 reels	H±5	205	

Label Contents:



The label will be stickled on all reels.

Descriptions:

1. One carton will pack 10 reels (10,000 pcs totally) or 5 reels (5,000pcs of SMD-49 totally).
2. The cartoon will be placed 1.5cm thin-Foam-rubber cushions on the bottom and bottom for protection.

7. MECHANICAL PERFORMANCE

Item	Test Methods		Specifications code
1 Shock	Dropping from 50 cm height 3 times on 30 mm Concrete Floor Refer to: JIS C 60068-2-6.		A
2 Vibration	(1)Vibration Frequency	10~55Hz	A
	(2)Cycle	2 rounds	
	(3)Amplitude	0.8mm	

HARMONY ELECTRONICS CORPRATION

KAOHSIUNG

TAIPEI

THAILAND

SHENZHEN

SUZHOU

TEL: 886-2-2658883

Email: contactus@hele.com.tw

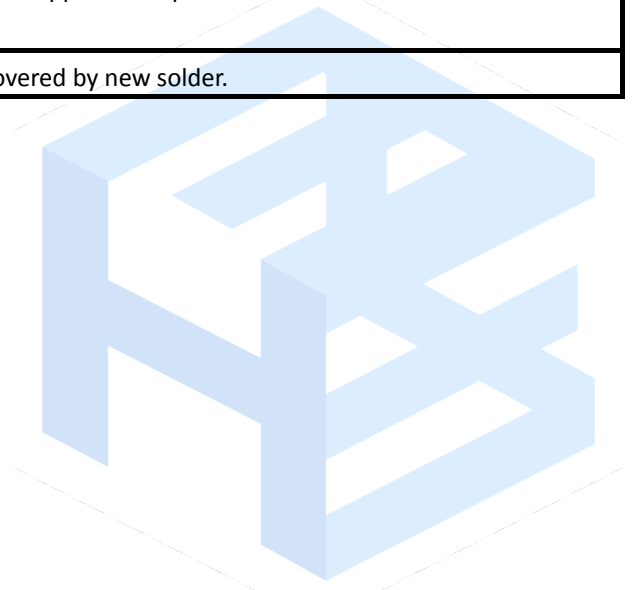


		(4)Direction	X.Y.Z	
		(5)Time	2hr for each direction	
3	Leakage Test	Dipping in the FC-40 at +125±5°C for 30 min. Not exceed specifications		---
4	Solder ability	After applying ROSIN Flux, dipping in solder bath at 245deg.C ±5deg.C for 3 ±0.5 sec. Refer to: JIS C 60068-2-20		B

8. ENVIRONMENT PERFORMANCE

Item		Test Methods	Specifications Code
1	Humidity	Temperature 60°C±2°C, RH 90~95%, duration of 240 hours. Back to room temperature first, then in 1~2 hours, the component shall be checked. Refer to: JIS C 60068-2-3	A
2	Storage in Low Temperature	-40deg.C ±2deg.C, duration of 240 hours. Back to the room temperature first, then in 1~2 hours, the component shall be checked. Refer to: JIS C 60068-2-1	A
3	Storage in High Temperature	+85deg.C ±2deg.C, duration of 240 hours. Back to the room temperature first, then in 1~2 hours, the component shall be checked. Refer to: JIS C 60068-2-2	A
4	Temperature cycles	-30deg.C +/-2deg.C (30min) ↔ +85deg.C +/-2deg.C (30min) 25 cycles. And Temperature Increasing/reducing time < 3mins. Back to the room temperature first, then in 1~2 hours, the component shall be checked. Refer to: JIS C 0025	A

Specifications code	Specifications
A	Frequency variation shall be within ±5ppm and equivalent resistance shall be within ±15% or 2Ω
B	More than 90% of lead shall be covered by new solder.



HARMONY ELECTRONICS CORPRATION

KAOSIUNG

TAIPEI

THAILAND

SHENZHEN

SUZHOU

TEL: 886-2-26588883

Email: contactus@hele.com.tw

FACTORY LOCATION

HEAD OFFICE/TAIWAN FACTORY

NO.39, HUADONG RD., DALIAO DIST., DAFA INDUSTRIAL PARK, KAOHSIUNG CITY 831, TAIWAN.

CHINA FACTORY

JU YUAN INDUSTRIAL PARK, QIAO TANG ROAD, TANG WEI COMMUNITY, FUYONG, BAOAN DISTRICT, SHEN ZHEN CITY, CHINA (Post Code:518103).

THAILAND FACTORY

66MOO 5, KAONGU-BEOKPRAI RD., T.BEOKPRAI, A. BANPONG, RATCHABURI PROVINCE 70110, THAILAND.

SERVICE CENTER

TAIPEI OFFICE

2F., NO.409, SEC.2, TIDING BLVD., NEIHU DISTRICT, TAIPEI CITY 114, TAIWAN
TEL: 886-2-26588883
FAX: 886-2-26588683

CONTACT INFORMATION

E-MAIL: contactus@hele.com.tw



X-ON Electronics

Largest Supplier of Electrical and Electronic Components

Click to view similar products for [Crystals](#) category:

Click to view products by [Harmony](#) manufacturer:

Other Similar products are found below :

[CX3225GB25000M0PPSZ1](#) [718-13.2-1](#) [MC405 32.0000K-R3:PURE SN](#) [7A-40.000MAAE-T](#) [FL2000085](#) [99-BU](#) [9B-15.360MBBK-B](#) [9C-7.680MBBK-T](#) [H10S-12.000-18-EXT-TR](#) [ABC2-6.000MHZ-D4Z-T](#) [ABLS-20.000MHZ-D2-T](#) [ABS071-32.768KHZ-6-T](#) [R38-32.768-12.5-5PPM-NPB](#) [BTD1062E05A-513](#) [21U15A-21.4MHZ](#) [RTX-781DF1-S-20.950](#) [LFXTAL066198Cutt](#) [9C-14.31818MBBK-T](#) [A-11.000MHZ-27](#) [ABL-27.000MHZ-B4Y-T](#) [ABM11-132-24.000MHZ-T3](#) [ABM3B1-25.000MHZ-D2Y-T](#) [SPT2A-.032768B](#) [SPT2A.032768G](#) [SSPT7F-9PF20-R](#) [FX325BS-38.88EEM1201](#) [LFXTAL065253Cutt](#) [LFXTAL066431Cutt](#) [XT9S20ANA14M7456](#) [XT9SNLANA16M](#) [646G-24-2](#) [7A-24.576MBBK-T](#) [7B-30.000MBBK-T](#) [7A-14.31818MBBK-T](#) [6504-202-1501](#) [6526-202-1501](#) [ABLS-12.000MHZ-B2Y-T](#) [ABLS-10.000MHZ-D3W-T](#) [7A-10.000MBBK-T](#) [SG636PCE-20.000MC](#) [3404](#) [E1SAA18-25.000M TR](#) [CM315D32768EZFT](#) [C1E-24.000-7-2020-R](#) [C1E-19.200-12-1530-X-R](#) [C1E-16.000-12-1530-X-R](#) [FL5000014](#) [EUCA18-3.1872M](#) [FX0800015](#) [425F35E027M0000](#)