

har-modular M1-module male angled



Image is for illustration purposes only. Please refer to product description.

| | |
|--------------------|---------------------------------------------------------------------------------------|
| Part number | 02 51 901 0401 |
| Specification | har-modular M1-module male angled |
| HARTING eCatalogue | https://b2b.harting.com/02519010401 |

Identification

| | |
|----------------------------|----------------|
| Category | Connectors |
| Series | har-modular® |
| Identification | M1 module |
| Element | Male connector |
| Description of the contact | Angled |

Version

| | |
|---------------------|-----------------------------------|
| Width of the module | 10.16 mm |
| Connection type | Motherboard to daughtercard |
| Number of contacts | 1 |
| Details | Please order contacts separately. |

Technical characteristics

| | |
|--------------------------------|----------------------|
| Clearance distance | 4 mm in the module |
| | 2 mm to module edge |
| Creepage distance | 4 mm in the module |
| | 2 mm to module edge |
| Insulation resistance | $>10^{11} \Omega$ |
| Limiting temperature | -55 ... +125 °C |
| Insertion and withdrawal force | ≤ 10 N |
| Mating cycles | ≥ 500 |
| Test voltage $U_{r,m.s.}$ | 1.55 kV |
| Isolation group | I ($600 \leq CTI$) |



Pushing Performance

Technical characteristics

| | |
|----------------------------------|------------------------------------|
| Hot plugging | No |
| Moisture Sensitivity Level (MSL) | 1 acc. to ECA/IPC/JEDEC J-STD-020D |

Material properties

| | |
|-------------------------------------------|----------------|
| Material (insert) | Polyamide (PA) |
| Colour (insert) | Black |
| Material flammability class acc. to UL 94 | V-0 |
| RoHS | compliant |
| ELV status | compliant |
| China RoHS | e |
| REACH Annex XVII substances | No |
| REACH ANNEX XIV substances | No |
| REACH SVHC substances | No |
| California Proposition 65 substances | No |

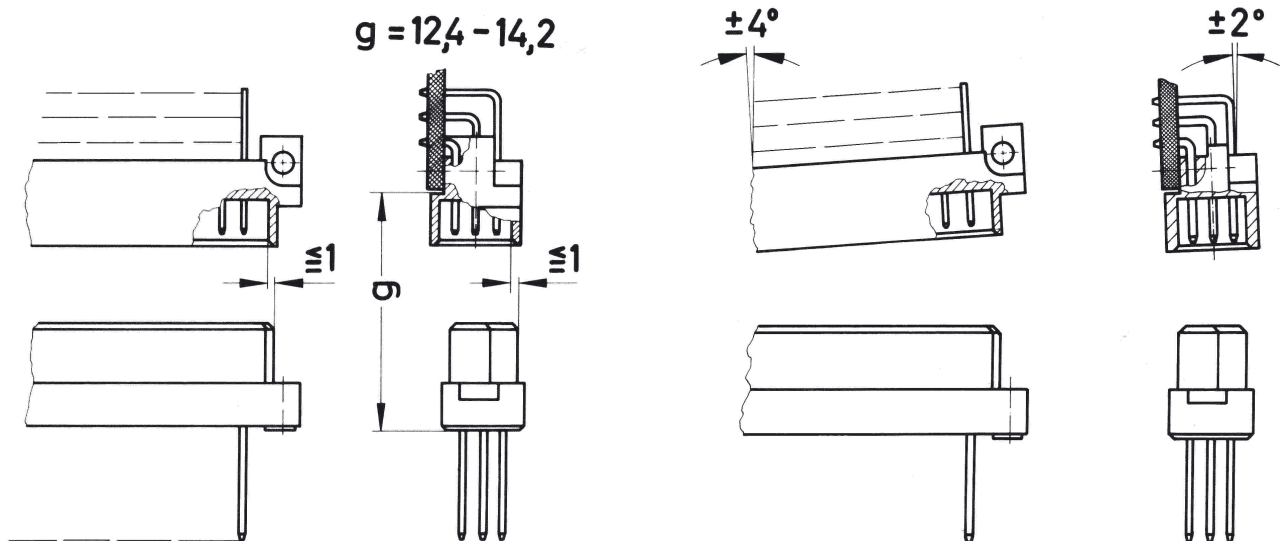
Specifications and approvals

| | |
|------------------------|------------------------------------------------------------|
| UL / CSA | UL 1977 ECBT2.E102079 CSA-C22.2 No. 182.3 ECBT8.E102079 |
| Railway classification | F1/I2 acc. to NFF 16-101/102 |

Commercial data

| | |
|--------------------------------|------------------------------------------|
| Packaging size | 20 |
| Net weight | 0.91 g |
| Country of origin | Romania |
| European customs tariff number | 85389099 |
| eCl@ss | 27460201 PCB connector (board connector) |

Mating conditions



To ensure reliable connections and prevent unnecessary damage, please refer to the application data diagrams. These recommendations are set out in IEC 60603-2. The connectors should not be coupled and decoupled under electrical load.

X-ON Electronics

Largest Supplier of Electrical and Electronic Components

Click to view similar products for [High Speed/Modular Connectors](#) category:

Click to view products by [HARTING](#) manufacturer:

Other Similar products are found below :

[650827-1](#) [74040-1346](#) [1410191-1](#) [1410337-1](#) [1410368-3](#) [1410367-3](#) [1410971-4](#) [1467833-1](#) [2000877-1](#) [2000878-1](#) [2041314-1](#) [2065387-1](#)
[2187307-1](#) [163P](#) [1934290-1](#) [2000875-1](#) [2065799-1](#) [2065917-1](#) [2102736-2](#) [FSR-40](#) [2169868-2](#) [22354-8](#) [437-5040-000](#) [039-0246-000](#)
[0740618502](#) [0761601016](#) [73774-1000](#) [030-2415-003/100 PK](#) [030-7380-004](#) [030-2494-001](#) [532939-1](#) [5532901-3](#) [3-1469268-7](#) [UMK-SE](#)
[11,25-1](#) [74748-102LF](#) [10041743-101LF](#) [10066670-100002LF](#) [1-533915-1](#) [249-4515-000](#) [7-1469373-3](#) [DL2-2J/S](#) [2000713-8](#) [2000713-7](#)
[10124313-101LF](#) [1410189-2](#) [3011-21](#) [EBTF-4-10-2.0-S-RA-1](#) [430305-001](#) [4395800100](#) [8140115](#)