

## har-modular M1flat-module female str.



Image is for illustration purposes only. Please refer to product description.

Part number	02 52 901 0451
Specification	har-modular M1flat-module female str.
HARTING eCatalogue	<a href="https://b2b.harting.com/02529010451">https://b2b.harting.com/02529010451</a>

### Identification

Category	Connectors
Series	har-modular®
Identification	M1 module flat
Element	Female connector
Description of the contact	Straight

### Version

Width of the module	10.16 mm
Connection type	Motherboard to daughtercard Mezzanine
Number of contacts	1
Details	Please order contacts separately.

### Technical characteristics

Clearance distance	4 mm in the module 2 mm to module edge
Creepage distance	4 mm in the module 2 mm to module edge
Insulation resistance	$>10^{11} \Omega$
Limiting temperature	-55 ... +125 °C
Insertion and withdrawal force	$\leq 10$ N
Mating cycles	$\geq 500$
Test voltage $U_{r.m.s.}$	1.55 kV



Pushing Performance

## Technical characteristics

Isolation group	I (600 ≤ CTI)
Hot plugging	No
Moisture Sensitivity Level (MSL)	1 acc. to ECA/IPC/JEDEC J-STD-020D

## Material properties

Material (insert)	Polyamide (PA)
Colour (insert)	Black
Material flammability class acc. to UL 94	V-0
RoHS	compliant
ELV status	compliant
China RoHS	e
REACH Annex XVII substances	No
REACH ANNEX XIV substances	No
REACH SVHC substances	No
California Proposition 65 substances	No

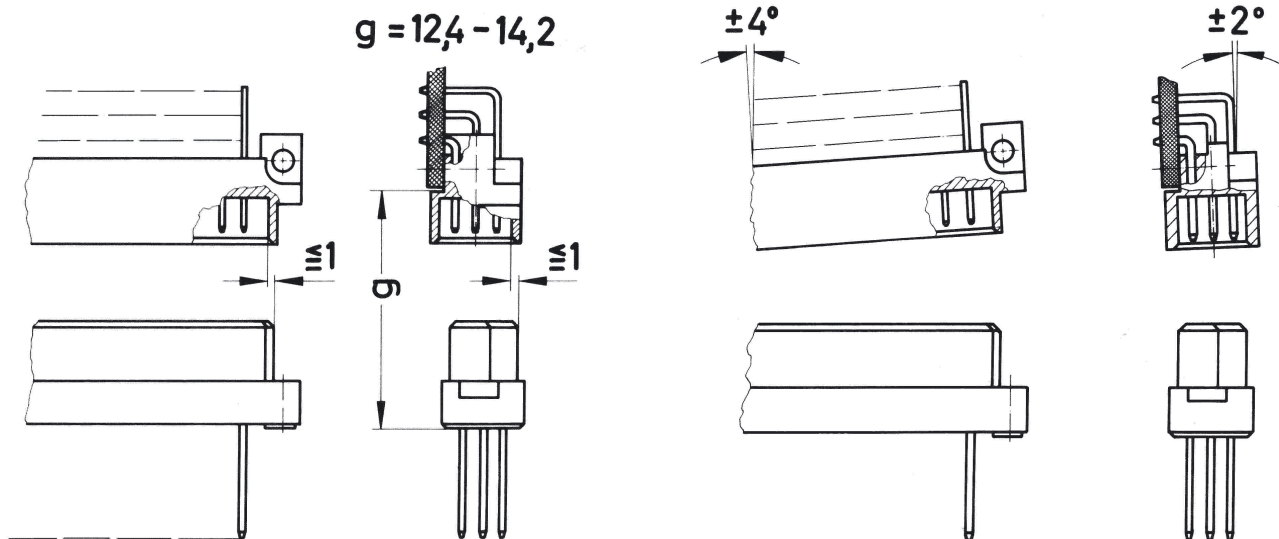
## Specifications and approvals

UL / CSA	UL 1977 ECBT2.E102079 CSA-C22.2 No. 182.3 ECBT8.E102079
Railway classification	F1/I2 acc. to NFF 16-101/102

## Commercial data

Packaging size	20
Net weight	1.14 g
Country of origin	Romania
European customs tariff number	85366990
eCl@ss	27460201 PCB connector (board connector)

### Mating conditions



To ensure reliable connections and prevent unnecessary damage, please refer to the application data diagrams. These recommendations are set out in IEC 60603-2. The connectors should not be coupled and decoupled under electrical load.

## X-ON Electronics

Largest Supplier of Electrical and Electronic Components

*Click to view similar products for [High Speed/Modular Connectors](#) category:*

*Click to view products by [HARTING](#) manufacturer:*

Other Similar products are found below :

[650827-1](#) [74040-1346](#) [1410191-1](#) [1410337-1](#) [1410368-3](#) [1410367-3](#) [1410971-4](#) [1467833-1](#) [2000877-1](#) [2000878-1](#) [2041314-1](#) [2065387-1](#)  
[2187307-1](#) [163P](#) [1934290-1](#) [2000875-1](#) [2065799-1](#) [2065917-1](#) [2102736-2](#) [FSR-40](#) [2169868-2](#) [22354-8](#) [437-5040-000](#) [039-0246-000](#)  
[0740618502](#) [0761601016](#) [73774-1000](#) [030-2415-003/100 PK](#) [030-7380-004](#) [030-2494-001](#) [532939-1](#) [5532901-3](#) [3-1469268-7](#) [UMK-SE](#)  
[11,25-1](#) [74748-102LF](#) [10041743-101LF](#) [10066670-100002LF](#) [1-533915-1](#) [249-4515-000](#) [7-1469373-3](#) [DL2-2J/S](#) [2000713-8](#) [2000713-7](#)  
[10124313-101LF](#) [1410189-2](#) [3011-21](#) [EBTF-4-10-2.0-S-RA-1](#) [430305-001](#) [4395800100](#) [8140115](#)