

## Mode 3 – Charging Cable



Specification

Charging Cable Mode 3 –  
Type 2 – Type 2

### Product Definition

Charging standard	Type 2
Standards/ regulations	IEC 62196-2
Approval	VDE
Country approval	On request
Confection line end	On request

### Dimensions Charging Connector

Width	70 mm
Height	110 mm
Depth	200 mm
Conductor length	On request

### Ambient Conditions

Ambient temperature (operation)	-30°C ... +50°C
Ambient temperature (storage/transport)	-40°C ... +80°C
Max. altitude	5.000 m (above sea level)
Degree of protection (plugged)	IP44
Degree of protection (protective cap)	IP44



## Electrical Properties

Number of phases	1		3	
Rated voltage for power contacts	250 V AC		480 V AC	
Rated current for power contacts	20 A	32 A	20 A	32 A
Charging power	4,7 kW	7,4 kW	11 kW	22 kW
Maximum charging power	5 kW	8 kW	16,6 kW	26,6 kW
Resistor coding (between PE and PP)	680 $\Omega$	220 $\Omega$	680 $\Omega$	220 $\Omega$
Number of power contacts	3 (L1, N, PE)		5 (L1, L2, L3, N, PE)	
Rated voltage for signal contacts	30 V AC			
Rated current for signal contacts	2 A			
Number of signal contacts	2 (CP, PP)			
Note on the connection method	Crimp termination (cannot be disconnected)			

## Mechanical Properties

Mating cycles	> 10.000
Insertion force	< 100 N
Withdrawal	< 100 N

## Design

Color housing / handle area	black
Color mating face	black
Color protective cap	black
Housing with customer logo	On request

## Material

Material housing / handle area	Plastic
Material mating face	Plastic
Material protective cap	Soft plastic
Flammability rating	V0
Material contacts	Cu-Alloy
Material surface of contacts	Ag



## Cable

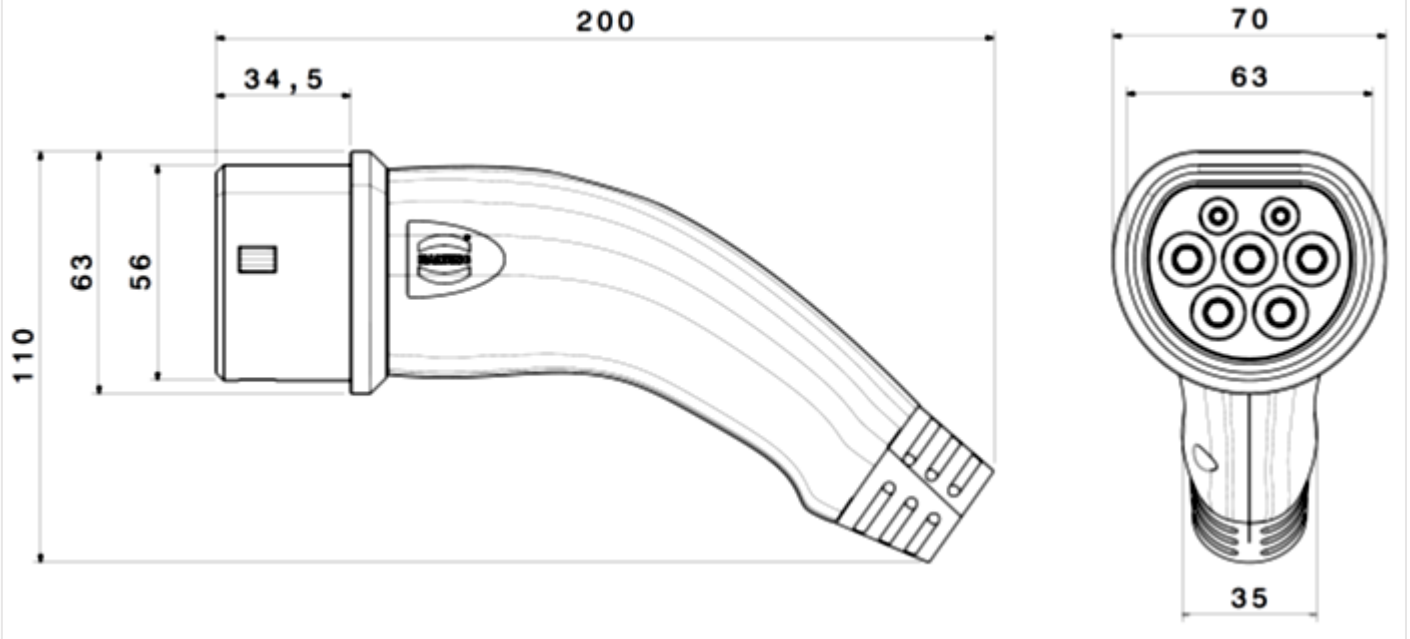
Cable structure	1 phase		3 phases	
	20 A	32 A	20 A	32 A
	3 x 2,5 mm <sup>2</sup> + 0,5 mm <sup>2</sup>	3 x 6,0 mm <sup>2</sup> + 0,5 mm <sup>2</sup>	5 x 2,5 mm <sup>2</sup> + 0,5 mm <sup>2</sup>	5 x 6,0 mm <sup>2</sup> + 0,5 mm <sup>2</sup>
Cable diameter	10,2 ± 0,3 mm	12,8 ± 0,4 mm	12,8 ± 0,4 mm	16,5 ± 0,3 mm
Cable resistance at 20°C (2,5 mm <sup>2</sup> )	≤ 7,98 Ω/km			
Cable resistance at 20°C (6,0 mm <sup>2</sup> )	≤ 3,3 Ω/km			
Cable resistance at 20°C (0,5 mm <sup>2</sup> )	≤ 39,0 Ω/km			
Wiring standard	IEC 62893			
Type of conductor	Straight, more types on request			
Outer sheath, material	TPE-U			
Outer sheath, color	On request			
Minimum bending radius	9 x cable diameter			
Specification vehicle side	Type 2 charging connector			
Specification infrastructure side	Type 2 charging connector			

## Environmental Product Compliance

REACH SVHC	Lead   CAS 7439-92-1
China RoHS	Environmentally Friendly Use Period: 50 years

## Drawings

Dimensional drawing female vehicle connector

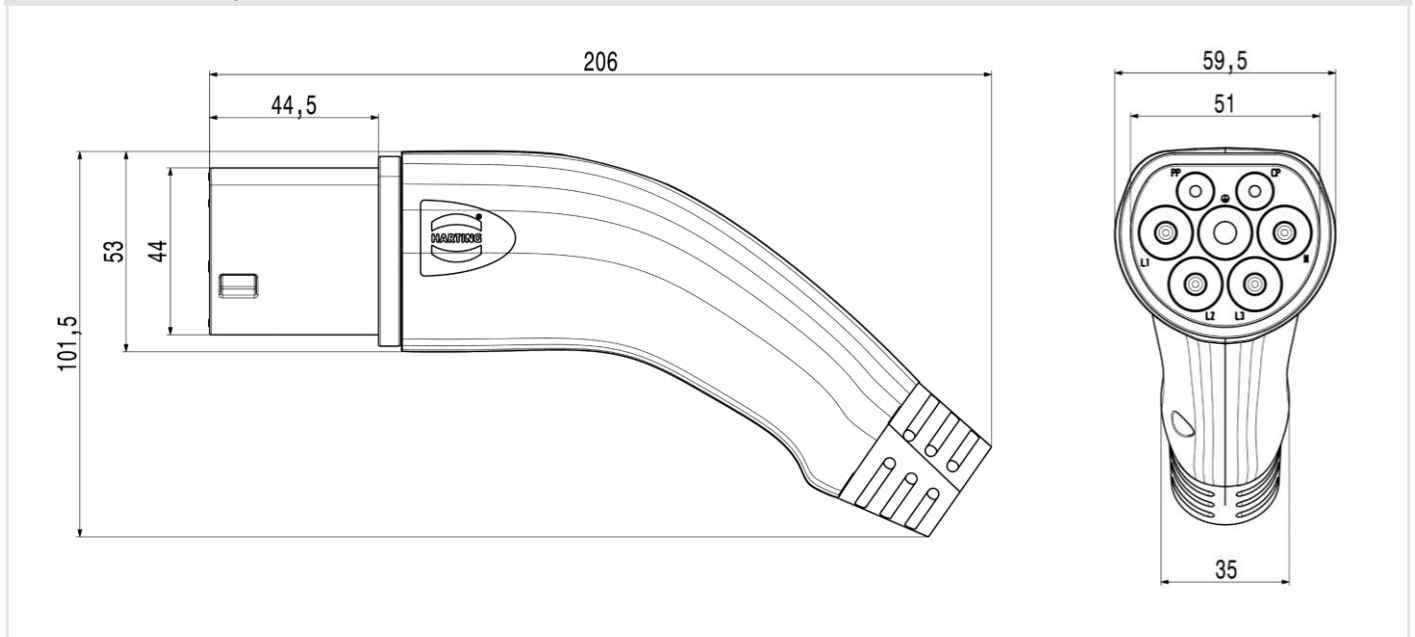


Pin assignment of the female vehicle connector

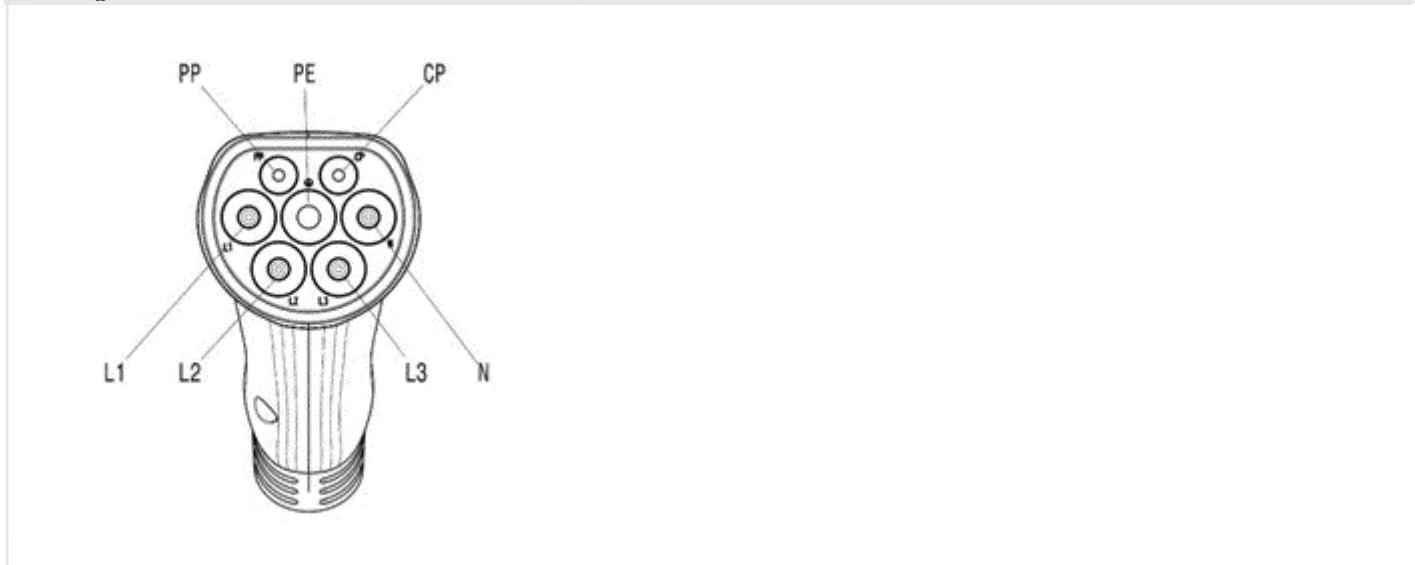


## Drawings

Dimensional drawing male vehicle connector



Pin assignment of the male vehicle connector



## X-ON Electronics

Largest Supplier of Electrical and Electronic Components

*Click to view similar products for [Specialised Cables category](#):*

*Click to view products by [HARTING manufacturer](#):*

Other Similar products are found below :

[603PT6](#) [603SS6L](#) [604PT6](#) [604SS6](#) [706000D02F200](#) [910640](#) [96CB-L2020PIB2](#) [1200740077](#) [1200740114](#) [AC172](#) [ACL-SSI-4](#)  
[R88ACAKA0015SRE](#) [R88ACAWL005SDE](#) [R88ACRGD0R3C](#) [1300150047](#) [1300660036](#) [1302262116](#) [1300150149](#) [1300220020](#)  
[1300220104](#) [1300220119](#) [1301240492](#) [1301810221](#) [1365323-1](#) [1589946-2](#) [1613055](#) [176P12](#) [1971465-2](#) [20240400003](#) [20240400013](#)  
[2085828-1](#) [20886510030](#) [2-22733-8](#) [22733-8](#) [CB-BATACC-RS](#) [CB-JST3PSW-RS](#) [25AC84](#) [25AK84X](#) [25AU25](#) [25FN82](#) [3011-03](#) [AC118](#)  
[ACL-HHS-1M\(CAT5E\)](#) [SSL009PC2DC012N](#) [FC2A-KC6C](#) [2085828-2](#) [20886510150](#) [CCS-FCB-5](#) [CCSF CBF2](#) [R88A-CRWB020N](#)