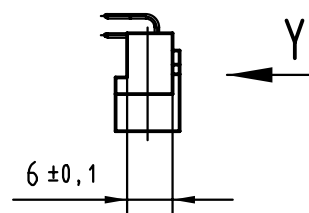
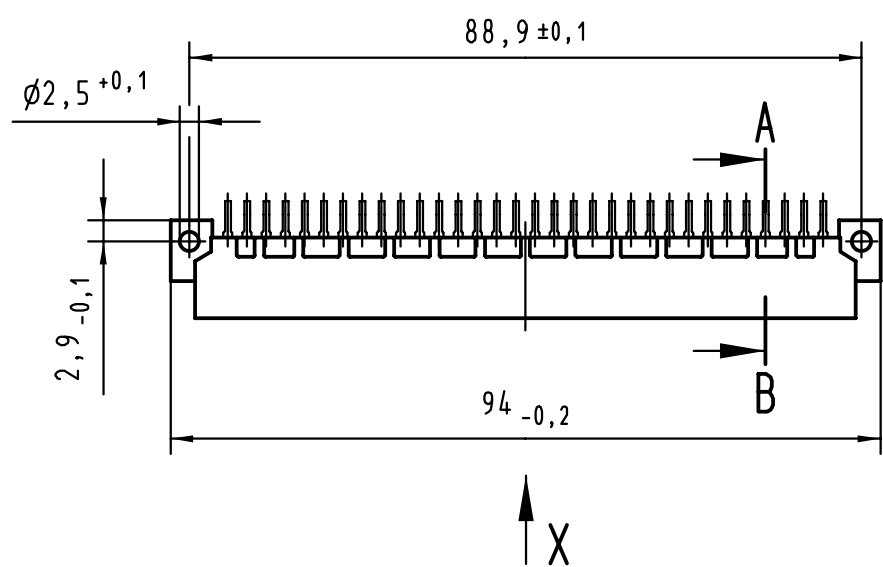
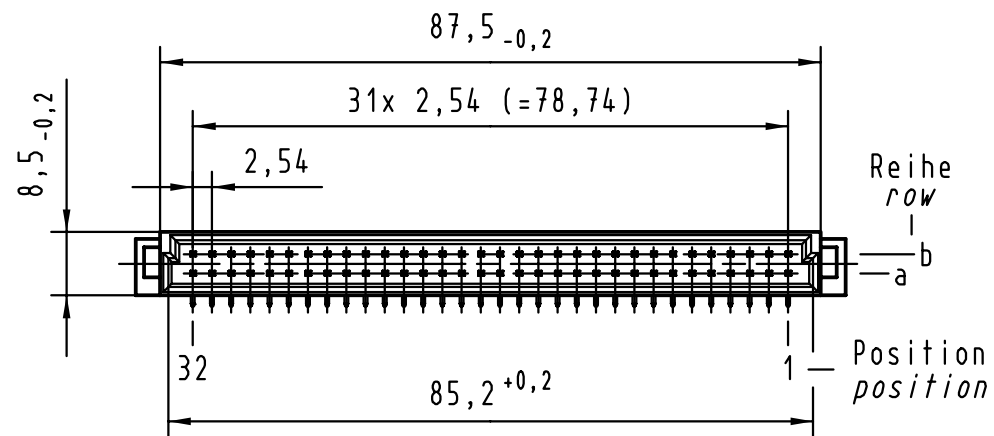
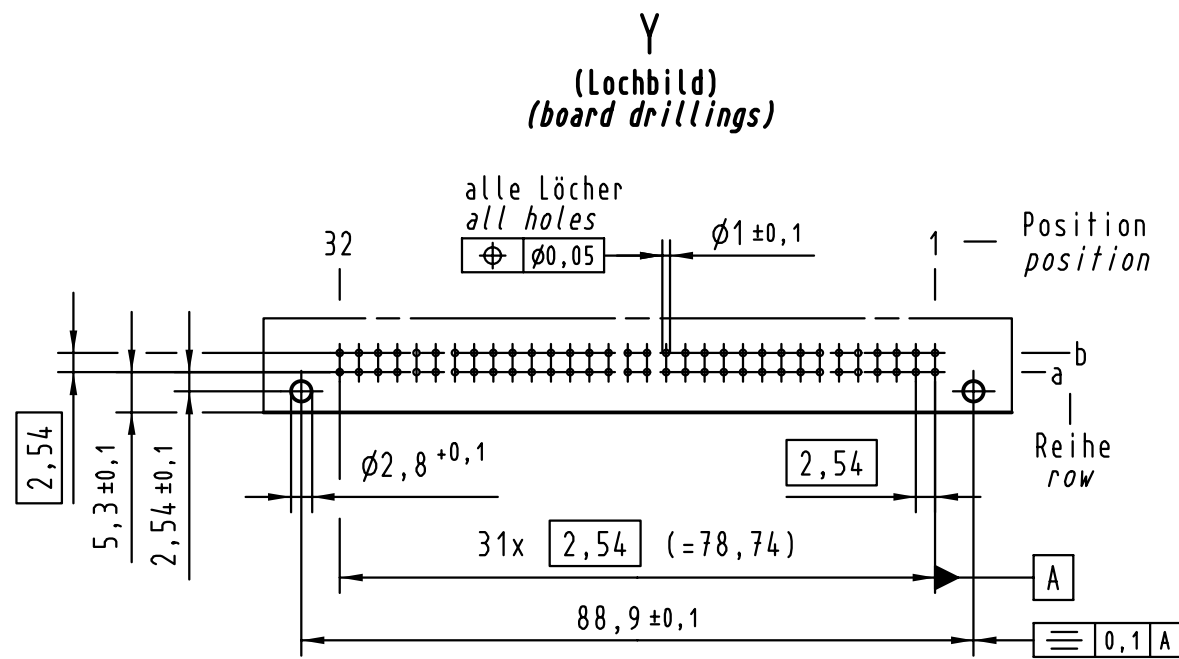
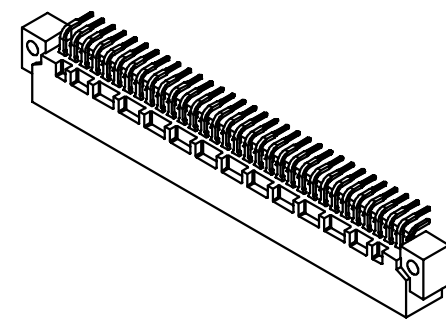
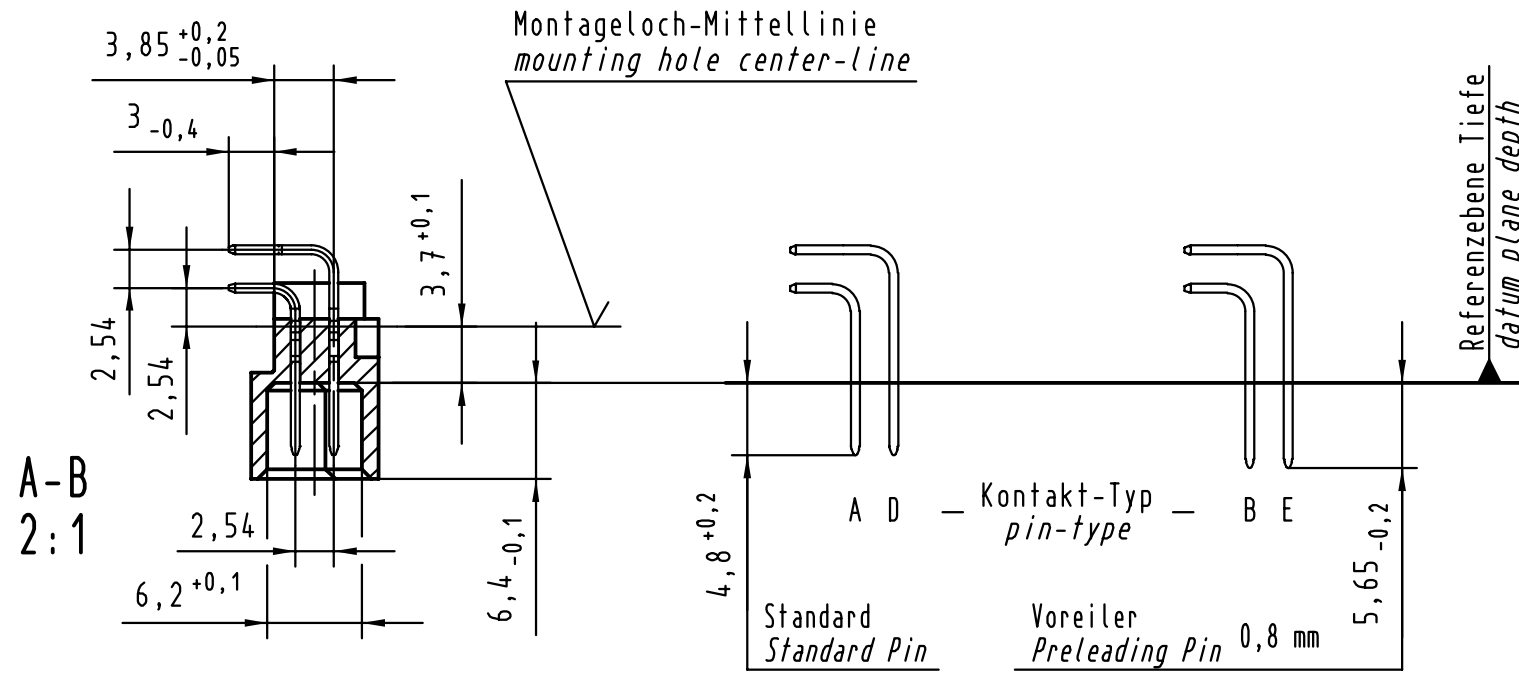
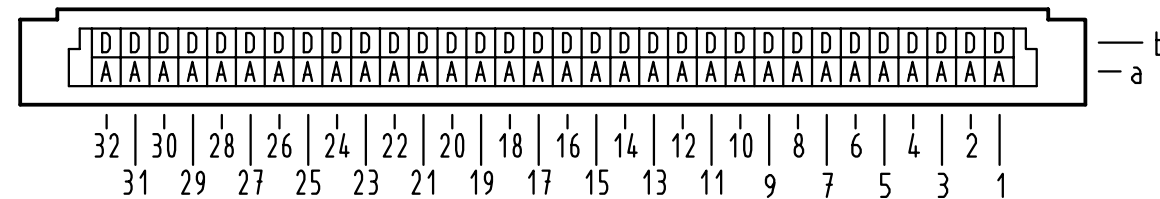


Alle Rechte vorbehalten/ All rights reserved



X Kontaktbelegung contact loading



09 02 164 5921	-	min.0,76µm (30µm) Au über/over min.1,27µm (50µm) Ni
09 02 164 4921	VG	Au über/over Ni
09 02 164 7921	3	Au über/over Ni
09 02 164 6921	2	Au über/over Ni
09 02 164 2921	1	Au über/over Ni
Bestell-Nr. Part-No.	Anforderungsstufe nach IEC performance level per IEC	Kontaktoberfläche Contact Plating

	Techn. Character.			Nicht tolerierte Maß/Free size tolerances siehe /see IEC 603-2	
		Dat.	Name	Maßstab/Scale 1:1 (2:1)	
		Detail.	21.06.00 Rie.		
		Insp.	21.06.00 Pa.		
	Stand.				
28027	HARTING KGaA			Bauform B Messerleiste Einlöt, 64 pol. type B male connector solder, 64 pol.	
Mod.	Dat.	Name	D-32339 ESPELKAMP		
					TB 09 02 164 x921
			Sub.		Blatt/ page

Partlist

09 02 164 6921

Printed board connector

Other applications

Type	Type B
Standard/Inverse	Standard
Contact gender	Male contacts
Size	Whole size
Number of contacts	64 poles
Contact arrangement	Rows a and b
Termination	Angled solder pins
Termination length	3.0 mm
First mating contact	without first mating contacts
Performance Class	Performance level 2 as per IEC 60603-2
Contacts	with contacts
Row pitch	2.54 mm
Board fixing	Without fixing
Current	2 A max.
Clearance/Creepage	1.2 / 1.2 mm min.



Data sheets are available in following formats

2D files

[Typenblatt](#)

[Typenblatt](#)

© Copyright 1999-2003 Harting KGaA and its licensors - Any suggestions and bug reports are welcome at: HARKIS@harting.com

Partlist

09 02 164 2921

Printed board connector

Other applications

Type	Type B
Standard/Inverse	Standard
Contact gender	Male contacts
Size	Whole size
Number of contacts	64 poles
Contact arrangement	Rows a and b
Termination	Angled solder pins
Termination length	3.0 mm
First mating contact	without first mating contacts
Performance Class	Performance level 1 as per IEC 60603-2
Contacts	with contacts
Row pitch	2.54 mm
Board fixing	Without fixing
Current	2 A max.
Clearance/Creepage	1.2 / 1.2 mm min.

[Inquiry](#)

Data sheets are available in following formats

2D files

[PDF](#)

[DXF](#)

© Copyright 1999-2003 Harting KGaA and its licensors - Any suggestions and bug reports are welcome at: HARKIS@harting.com

Partlist

09 02 164 7921

Printed board connector

Other applications

Type	Type B
Standard/Inverse	Standard
Contact gender	Male contacts
Size	Whole size
Number of contacts	64 poles
Contact arrangement	Rows a and b
Termination	Angled solder pins
Termination length	3.0 mm
First mating contact	without first mating contacts
Performance Class	Performance level 3 as per IEC 60603-2
Contacts	with contacts
Row pitch	2.54 mm
Board fixing	Without fixing
Current	2 A max.
Clearance/Creepage	1.2 / 1.2 mm min.

[Inquiry](#)

Data sheets are available in following formats

2D files

[PDF](#)

[DXF](#)

© Copyright 1999-2003 Harting KGaA and its licensors - Any suggestions and bug reports are welcome at: HARKIS@harting.com

X-ON Electronics

Largest Supplier of Electrical and Electronic Components

Click to view similar products for [DIN 41612 Connectors](#) category:

Click to view products by [HARTING](#) manufacturer:

Other Similar products are found below :

[004.767](#) [608489050008049](#) [691327-1](#) [74670-0732](#) [74680-0340](#) [75880-0015](#) [76453-0014](#) [86093159ALF](#) [9732967801](#) [QLC260R](#)
[120X10019X](#) [120X10089X](#) [122A10249X](#) [122A10669X](#) [122A11089X](#) [122A13089X](#) [122A10089X](#) [122A10129X](#) [122A10349X](#)
[122A13359X](#) [1377391-4](#) [DIN-048CPC-SR1-MH](#) [1393583-2](#) [1393726-7](#) [140X10129X](#) [143-1913-000](#) [143-1908-000](#) [1484472-1](#) [2110070-1](#)
[2110070-2](#) [CBC20T00-008FDS5-0-1-002VR](#) [172699-5036](#) [2-1393557-4](#) [2-1437084-2](#) [CTJ720E01B-6141](#) [394506](#) [419-2080-402](#)
[V42254B2202C968](#) [419-2086-201](#) [419-2087-002](#) [448657-1](#) [448847-3](#) [5-1393755-9](#) [02990000004](#) [054302](#) [043556](#) [09062483201750](#)
[0850033067](#) [09031646555](#) [09061486901840](#)