

DIN-Signal coax m, solder/crimp 50Ohm



Image is for illustration purposes only. Please refer to product description.

Part number	09 03 000 6161
Specification	DIN-Signal coax m, solder/crimp 50Ohm
HARTING eCatalogue	https://b2b.harting.com/09030006161

Identification

Category	Contacts
Series	DIN 41612
Type of contact	Coaxial contact
Description of the contact	Angled
Contacts for	DIN 41612 Type M DIN 41612 Type M invers DIN 41612 Type MH 21+5 har-modular [®] M module, female, straight

Version

Termination method	Solder/crimp termination
Gender	Male contact for female connectors
Manufacturing process	Turned contacts

Technical characteristics

Operating current	≤1.4 A
Rated voltage	250 V
Insulation resistance	>10 ⁹ Ω
Contact resistance	≤10 mΩ for inner contact die ≤3 mΩ for outer ferrule
Impedance	50 Ω
Limiting temperature	-55 ... +125 °C



Pushing Performance

Technical characteristics

Return loss	>25 dB @ 1 GHz for cables RG 174
	>22 dB @ 2 GHz for cables RG 174
	>14 dB @ 4 GHz for cables RG 174
	>23 dB @ 1 GHz for cables RG 316
	>20 dB @ 2 GHz for cables RG 316
Insertion force	≤10 N
Withdrawal force	≥1 N
Performance level	1
Mating cycles	≥500
Test voltage $U_{r.m.s.}$	0.75 kV
Frequency	4 GHz

Material properties

Material (contacts)	Copper alloy
Surface (contacts)	Noble metal over Ni Mating side
Material (locking)	Copper alloy
RoHS	compliant with exemption
RoHS exemptions	6(c): Copper alloy containing up to 4 % lead by weight
ELV status	compliant with exemption
China RoHS	50
REACH Annex XVII substances	No
REACH ANNEX XIV substances	No
REACH SVHC substances	Yes
REACH SVHC substances	Lead
ECHA SCIP number	339476a1-86ba-49e9-ab4b-cd336420d72a
California Proposition 65 substances	Yes
California Proposition 65 substances	Nickel Lead

Specifications and approvals

Specifications	DIN 41626
----------------	-----------

Commercial data

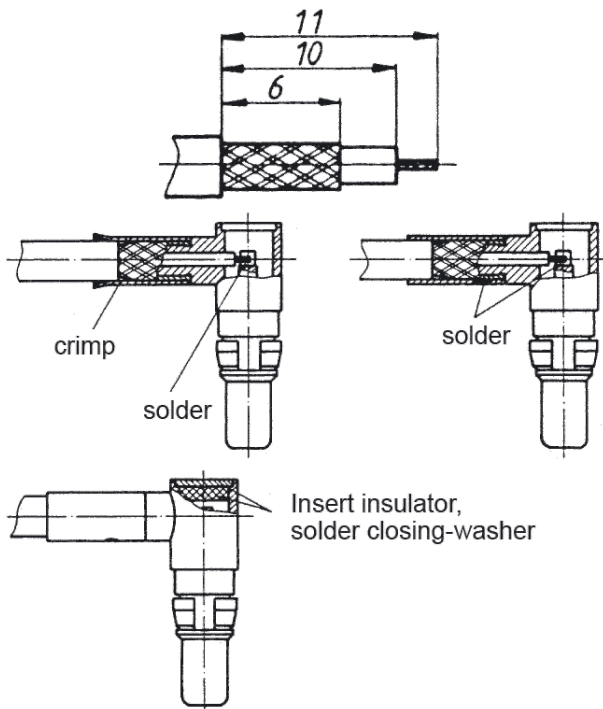
Packaging size	100
Net weight	2 g
Country of origin	Germany

Commercial data

European customs tariff number 85366990

eCl@ss 27440204 Contact for industrial connectors

Assembly instructions



X-ON Electronics

Largest Supplier of Electrical and Electronic Components

Click to view similar products for [DIN 41612 Connectors](#) category:

Click to view products by [HARTING](#) manufacturer:

Other Similar products are found below :

[004.767](#) [608489050008049](#) [691327-1](#) [74670-0732](#) [74680-0340](#) [75880-0015](#) [76453-0014](#) [86093159ALF](#) [9732967801](#) [QLC260R](#)
[120X10019X](#) [120X10089X](#) [122A10249X](#) [122A10669X](#) [122A11089X](#) [122A13089X](#) [122A10089X](#) [122A10129X](#) [122A10349X](#)
[122A13359X](#) [1377391-4](#) [DIN-048CPC-SR1-MH](#) [1393583-2](#) [1393726-7](#) [140X10129X](#) [143-1913-000](#) [143-1908-000](#) [1484472-1](#) [2110070-1](#)
[2110070-2](#) [CBC20T00-008FDS5-0-1-002VR](#) [172699-5036](#) [2-1393557-4](#) [2-1437084-2](#) [CTJ720E01B-6141](#) [394506](#) [419-2080-402](#)
[V42254B2202C968](#) [419-2086-201](#) [419-2087-002](#) [448657-1](#) [448847-3](#) [5-1393755-9](#) [02990000004](#) [054302](#) [043556](#) [09062483201750](#)
[0850033067](#) [09031646555](#) [09061486901840](#)