

Adapter Han RJ45 Modul / RJ45 patchcable

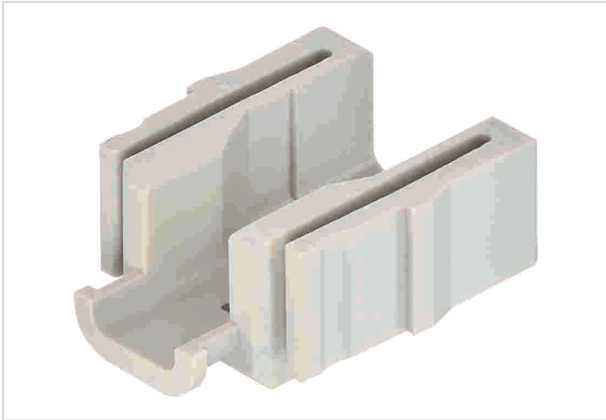


Image is for illustration purposes only. Please refer to product description.

| | |
|--------------------|---------------------------------------------------------------------------------------|
| Part number | 09 14 000 9966 |
| Specification | Adapter Han RJ45 Modul / RJ45 patchcable |
| HARTING eCatalogue | https://b2b.harting.com/09140009966 |

Identification

| | |
|---------------------------|----------------------------|
| Category | Modules |
| Series | Han-Modular® |
| Type of module | Han® RJ45 module |
| Description of the module | Adapter for patch cable |

Version

| | |
|--------|------|
| Gender | Male |
|--------|------|

Technical characteristics

| | |
|-----------------------|-------------------|
| Insulation resistance | $>10^{10} \Omega$ |
| Limiting temperature | -40 ... +125 °C |
| Mating cycles | ≥ 500 |

Material properties

| | |
|-------------------------------------------|------------------------|
| Material (insert) | Polycarbonate (PC) |
| Colour (insert) | RAL 7032 (pebble grey) |
| Material flammability class acc. to UL 94 | V-0 |
| RoHS | compliant |
| ELV status | compliant |
| China RoHS | e |
| REACH Annex XVII substances | No |
| REACH ANNEX XIV substances | No |



Pushing Performance

Material properties

| | |
|-----------------------|----|
| REACH SVHC substances | No |
|-----------------------|----|

Specifications and approvals

| | |
|----------------|-------------------------|
| Specifications | EN 60664-1 IEC 61984 |
| Approvals | DNV GL |

Commercial data

| | |
|--------------------------------|--------------------------------------------------|
| Packaging size | 2 |
| Net weight | 4.44 g |
| Country of origin | Germany |
| European customs tariff number | 85389099 |
| eCl@ss | 27440218 Module for industrial connectors (data) |

X-ON Electronics

Largest Supplier of Electrical and Electronic Components

Click to view similar products for [Modular Connectors](#) / [Ethernet Connectors](#) category:

Click to view products by [HARTING](#) manufacturer:

Other Similar products are found below :

[8949-H88/06BLKA/SN](#) [74441-0010/BKN](#) [MP1010RX-1000](#) [MP44RX-1000](#) [PHJ-4P4C-1-V-4](#) [PHP-6P6C-5](#) [GAX-3-66](#) [GAX-8-62](#) [GDCX-PA-66-50](#) [GDCX-PN-64](#) [GDCX-PN-66](#) [GDCX-PN-66-50](#) [GDLX-A-66](#) [GDLX-N-66](#) [GDLX-S-66](#) [GDLX-S-88K](#) [GDTX-S-88-50](#) [GDX-PA-1010](#) [GLX-N-1010M-BLK](#) [GLX-S-88M-BLK](#) [GMX-N-1010](#) [GMX-S-1010](#) [GMX-S-66](#) [GMX-SMT4-N-88](#) [GPX-2-64](#) [GSGX-N-2-88](#) [GSGX-N-4-88](#) [GSX-NS2-88-3.05-50](#) [PT-108A-8C-UL](#) [PT-J951-8C](#) [PTS-J531-8CS-50UL](#) [1-1775629-2](#) [A-2014-0-4](#) [GWLX-S-88-GR](#) [GWLX-S9-88-YG](#) [DC-1021-8-WH-6](#) [1300530003](#) [1324640-4](#) [RJ11FTVC2G](#) [RJ11FTVC2N](#) [RJFTVX2SA1G](#) [132764-001](#) [1413235](#) [MP88X-1000](#) [MPS88RX-5000](#) [MRJR-5481-0F2](#) [E5288-S000K3-L](#) [E5908-15A242-L](#) [155302-001](#) [AX100653](#)