

## Han HV module, 40A 5000V male

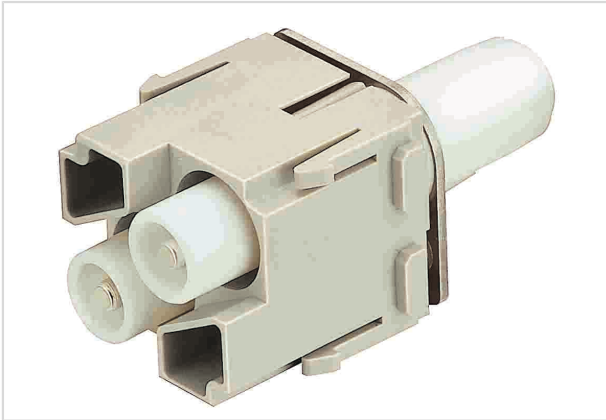


Image is for illustration purposes only. Please refer to product description.

Part number	09 14 002 3023
Specification	Han HV module, 40A 5000V male
HARTING eCatalogue	<a href="https://b2b.harting.com/09140023023">https://b2b.harting.com/09140023023</a>

### Identification

Category	Modules
Series	Han-Modular®
Type of module	Han® HV module
Description of the module	for Han® C crimp contacts

### Version

Termination method	Crimp termination
Gender	Male
Number of contacts	2
Details	Please order crimp contacts separately.
Pack contents	1 module 2 locking sleeves 2 heat shrink tubes

### Technical characteristics

Conductor cross-section	1.5 ... 10 mm <sup>2</sup>
Rated current	40 A
Rated voltage conductor-earth	2,900 V
Rated voltage conductor-conductor	5,000 V
Rated impulse voltage	15 kV
Pollution degree	3
Rated current acc. to UL	31 A
Rated voltage acc. to UL	5,000 V



Pushing Performance

## Technical characteristics

Insulation resistance	>10 <sup>10</sup> Ω
Limiting temperature	-40 ... +125 °C
Mating cycles	≥500

## Material properties

Material (insert)	Polycarbonate / Teflon (PTFE)
Colour (insert)	RAL 7032 (pebble grey)
Material flammability class acc. to UL 94	V-0
RoHS	compliant with exemption
RoHS exemptions	6(c): Copper alloy containing up to 4 % lead by weight
ELV status	compliant with exemption
China RoHS	50
REACH Annex XVII substances	No
REACH ANNEX XIV substances	No
REACH SVHC substances	Yes
REACH SVHC substances	Lead
ECHA SCIP number	5dbb3851-b94e-4e88-97a1-571845975242
California Proposition 65 substances	Yes
California Proposition 65 substances	Nickel Lead

## Specifications and approvals

Specifications	EN 60664-1 IEC 61984 EN 50124-1 IEC 60352-4
Approvals	DNV GL
UL / CSA	UL 1977 ECBT2.E235076 CSA-C22.2 No. 182.3 ECBT8.E235076

## Commercial data

Packaging size	1
Net weight	48.24 g
Country of origin	Germany
European customs tariff number	85389099



Pushing Performance

## Commercial data

eCl@ss

27440217 Module for industrial connectors (power/signals)

## X-ON Electronics

Largest Supplier of Electrical and Electronic Components

*Click to view similar products for [Heavy Duty Power Connectors](#) category:*

*Click to view products by [HARTING](#) manufacturer:*

Other Similar products are found below :

[647757-1](#) [6643411-1](#) [6646058-2](#) [6646137-1](#) [6646138-1](#) [6646479-1](#) [6646608-1](#) [6646786-1](#) [6646940-1](#) [6651091-1](#) [6651525-1](#) [6651529-1](#)  
[6651788-1](#) [696475-1](#) [73000005059](#) [73000005642](#) [765-15-0080A](#) [765-16-0080B](#) [829992-1](#) [902-77-02113](#) [129-1J](#) [AN0024023](#) [E6374G1](#)  
[e6389g2](#) [157-43GW8](#) [MS3117-14AC](#) [1643543-1](#) [1650540-1](#) [1651811-2](#) [1766260-1](#) [1766282-1](#) [1766966-1](#) [1791340000](#) [NLDFT-3-BL-L-](#)  
[S120-M40A](#) [NLDFT-N-W-L-C240-M40B](#) [NLS-2-R-C240-M40B](#) [NLS-N-W-C240-M40B](#) [NPS-3-BL-T6](#) [1986615-1](#) [2-1589900-8](#) [2199314-1](#)  
[KA8102](#) [9300480317](#) [SBS50BRN#6](#) [29131](#) [29652](#) [1646905-1](#) [1648320-1](#) [1648582-1](#) [1650195-2](#)