

## Han hinged frame plus, for 6 modules A-F

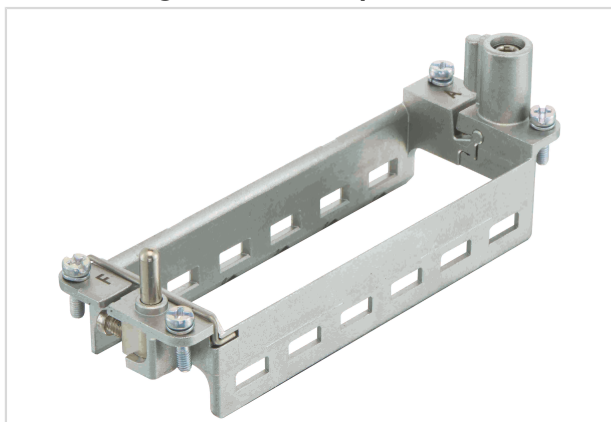


Image is for illustration purposes only. Please refer to product description.

Part number	09 14 024 0361
Specification	Han hinged frame plus, for 6 modules A-F
HARTING eCatalogue	<a href="https://b2b.harting.com/09140240361">https://b2b.harting.com/09140240361</a>

### Identification

Category	Accessories
Series	Han-Modular®
Type of accessory	Hinged frame plus
Description of the accessory	for 6 modules A ... F
Features	Conductor cross-section PE (power side) 4 ... 10 mm <sup>2</sup> Conductor cross-section PE (signal side) 1 ... 2.5 mm <sup>2</sup>

### Version

Size	24 B
------	------

### Technical characteristics

Limiting temperature	-40 ... +125 °C
Mating cycles	≥500

### Material properties

Material	Zinc die-cast Stainless steel
RoHS	compliant
ELV status	compliant
China RoHS	e
REACH Annex XVII substances	No
REACH ANNEX XIV substances	No
REACH SVHC substances	No



Pushing Performance

## Material properties

California Proposition 65 substances	No
--------------------------------------	----

## Specifications and approvals

Specifications	EN 60664-1 IEC 61984
Approvals	DNV GL
UL / CSA	UL 1977 ECBT2.E235076

## Commercial data

Packaging size	1
Net weight	77.74 g
Country of origin	Germany
European customs tariff number	85389099
eCl@ss	27440206 Module carrier frame for industrial connectors

## X-ON Electronics

Largest Supplier of Electrical and Electronic Components

*Click to view similar products for [Heavy Duty Power Connectors](#) category:*

*Click to view products by [HARTING](#) manufacturer:*

Other Similar products are found below :

[647757-1](#) [6643411-1](#) [6646058-2](#) [6646137-1](#) [6646138-1](#) [6646479-1](#) [6646608-1](#) [6646786-1](#) [6646940-1](#) [6651091-1](#) [6651525-1](#) [6651529-1](#)  
[6651788-1](#) [696475-1](#) [73000005059](#) [73000005642](#) [765-15-0080A](#) [765-16-0080B](#) [829992-1](#) [902-77-02113](#) [129-1J](#) [AN0024023](#) [E6374G1](#)  
[e6389g2](#) [157-43GW8](#) [MS3117-14AC](#) [1643543-1](#) [1650540-1](#) [1651811-2](#) [1766260-1](#) [1766282-1](#) [1766966-1](#) [1791340000](#) [NLDFT-3-BL-L-](#)  
[S120-M40A](#) [NLDFT-N-W-L-C240-M40B](#) [NLS-2-R-C240-M40B](#) [NLS-N-W-C240-M40B](#) [NPS-3-BL-T6](#) [1986615-1](#) [2-1589900-8](#) [2199314-1](#)  
[KA8102](#) [9300480317](#) [SBS50BRN#6](#) [29131](#) [29652](#) [1646905-1](#) [1648320-1](#) [1648582-1](#) [1650195-2](#)