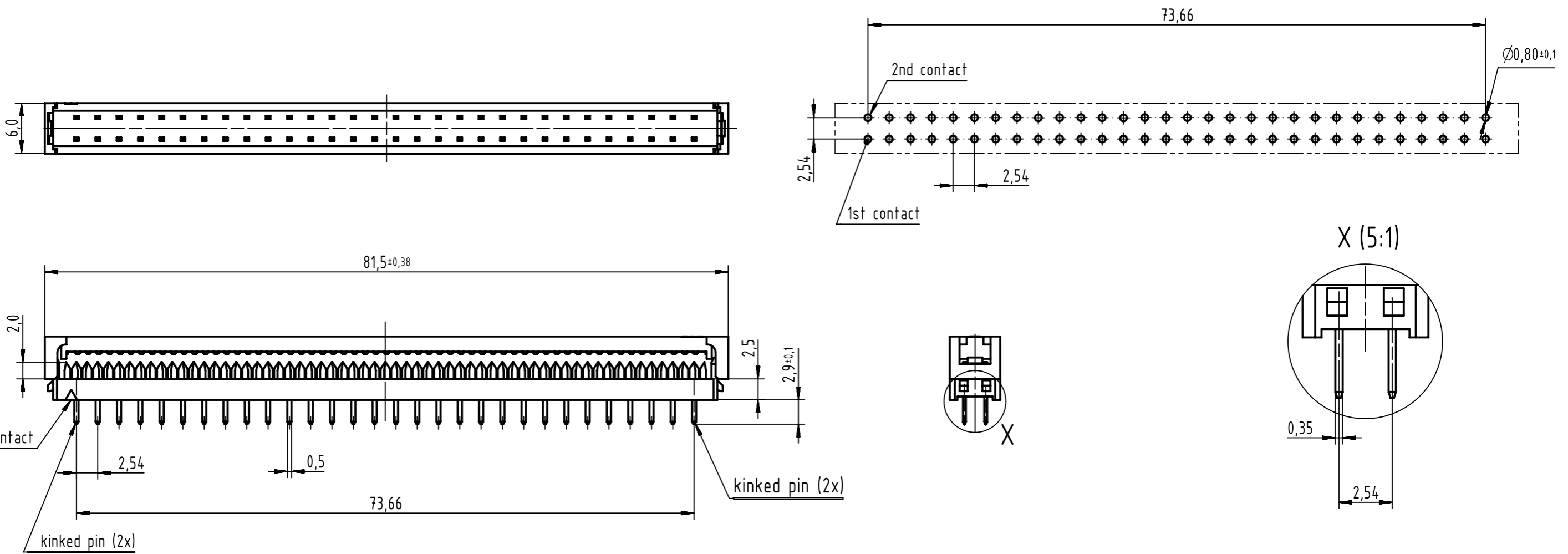
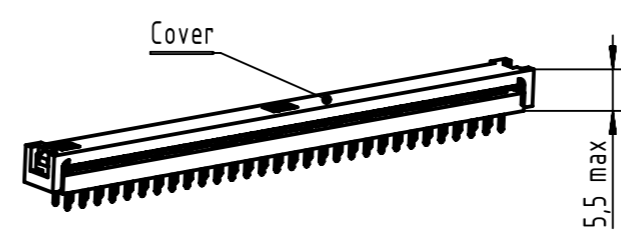


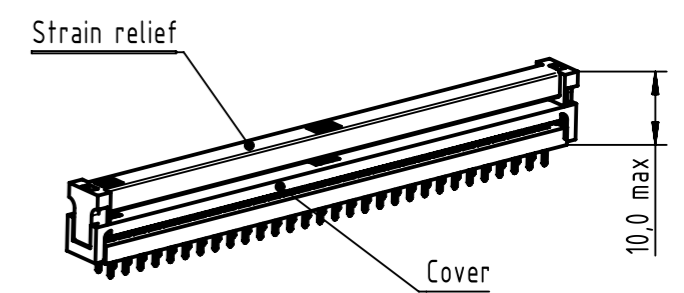
# PCB layout, component side



Assembled cover without strain relief



Assembled cover with strain relief



Numbering system:

0918 160 962X

- 2: Pre-assembled cover and without strain relief
- 3: Pre-assembled cover and with strain relief
- 4: Non-assembled cover and without strain relief
- 5: Non-assembled cover and with strain relief

Note: strain relief can be ordered separately: P/N 0918 160 9002  
 technical information available on separate document ref.: DS 09185100600

Part Number	Packing quantity
0918 160 962X	50pcs/packing

All rights reserved Department EC PD - CN HARTING Electronics GmbH D-32339 Espelkamp	All Dimensions in mm Original Size DIN A3	Scale 2:1	Free size tol.	Ref. Sub.
	Created by ZHUANGJ	Inspected by LUOK	Standardisation HOFFMANN	Date 2015-11-16
Title SEK 2rows 60-pole straight pin assembly				Doc-Key / ECM-Nr. 100648026/UGD/000/A 50000096926
Type TB		Number 0918160962X		Rev. A
				Page 1/1

## X-ON Electronics

Largest Supplier of Electrical and Electronic Components

*Click to view similar products for [Headers & Wire Housings](#) category:*

*Click to view products by [HARTING](#) manufacturer:*

Other Similar products are found below :

[95000-104TRLF](#) [10135584-644402LF](#) [DF62W-EP2022PCA](#) [95000-106TRLF](#) [DF62W-2022SCA](#) [DF62W-EP2022PC](#) [2203348](#) [DF62W-2022SC](#) [1084018](#) [1029039](#) [1084017](#) [802-10-012-10-002000](#) [1112640](#) [1112639](#) [891-007-9SS-BST1T](#) [000-34000](#) [0008550134](#) [0009482033](#) [0009507031](#) [57102-F02-18ULF](#) [57102-S06-03LF](#) [57202-S52-04LF](#) [PCN6-15S-2.5E](#) [0039019024](#) [58102-G61-06LF](#) [582553-1](#) [0009485154](#) [0009508121](#) [0022285053](#) [0050291907](#) [018731A](#) [LY20-4P-DT1-P1E-BR](#) [02.125.8002.8](#) [60101931](#) [60598-1 \(Cut Strip\)](#) [M1625-3R/100](#) [61062-3](#) [61082-181009](#) [CSU011177004](#) [636-1427](#) [638009-1](#) [641938-9](#) [641991-4](#) [644168-1](#) [644827-2](#) [647662-1](#) [65039-019ELF](#) [65692-001LF](#) [65781-018](#) [65781-047](#)