

SEK-18 SV MA STD STR45PR-IN RKZ 20P AUS4

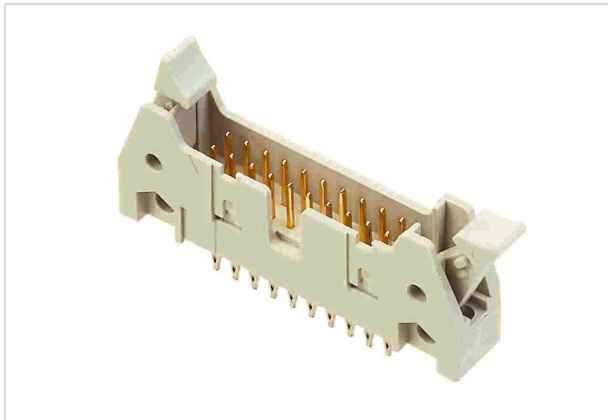


Image is for illustration purposes only. Please refer to product description.

| | |
|--------------------|---|
| Part number | 09 18 520 5919 |
| Specification | SEK-18 SV MA STD STR45PR-IN RKZ 20P AUS4 |
| HARTING eCatalogue | https://b2b.harting.com/09185205919 |

Identification

| | |
|----------------------------|----------------|
| Category | Connectors |
| Series | SEK Standard |
| Element | Male connector |
| Description of the contact | Straight |

Version

| | |
|--------------------|----------------------|
| Termination method | Press-in termination |
| Connection type | PCB to cable |
| Number of contacts | 20 |
| Termination length | 4.5 mm |
| Locking type | With short levers |

Technical characteristics

| | |
|------------------------------------|---------------------------|
| Contact rows | 2 |
| Contact spacing (termination side) | 2.54 mm |
| Rated current | 1 A |
| Insulation resistance | $>10^9 \Omega$ |
| Contact resistance | $\leq 20 \text{ m}\Omega$ |
| Limiting temperature | -55 ... +105 °C |
| Insertion and withdrawal force | $\leq 40 \text{ N}$ |
| Performance level | NM 30 (S4) |
| Mating cycles | ≥ 250 |
| Test voltage $U_{r,m.s.}$ | 1 kV |



Technical characteristics

| | |
|-----------------|------------------------|
| Isolation group | IIIa (175 ≤ CTI < 400) |
| PCB thickness | ≥1.6 mm |

Material properties

| | |
|---|--|
| Material (insert) | Thermoplastic resin (PBT) |
| Colour (insert) | Grey |
| Material (contacts) | Copper alloy |
| Surface (contacts) | Noble metal over Ni Mating side Ni Termination side |
| Layer thickness | ≥0.76 μm |
| Layer thickness | ≥30 μinch |
| Material flammability class acc. to UL 94 | V-0 |
| RoHS | compliant |
| ELV status | compliant |
| China RoHS | e |
| REACH Annex XVII substances | No |
| REACH ANNEX XIV substances | No |
| REACH SVHC substances | No |

Specifications and approvals

| | |
|------------------------|--|
| Specifications | IEC 60603-13 |
| UL / CSA | UL 1977 ECBT2.E102079 CSA-C22.2 No. 182.3 ECBT8.E102079 |
| Railway classification | F3/I3 |

Commercial data

| | |
|--------------------------------|--|
| Packaging size | 25 |
| Net weight | 9.18 g |
| Country of origin | Czechia |
| European customs tariff number | 85366990 |
| eCl@ss | 27460201 PCB connector (board connector) |

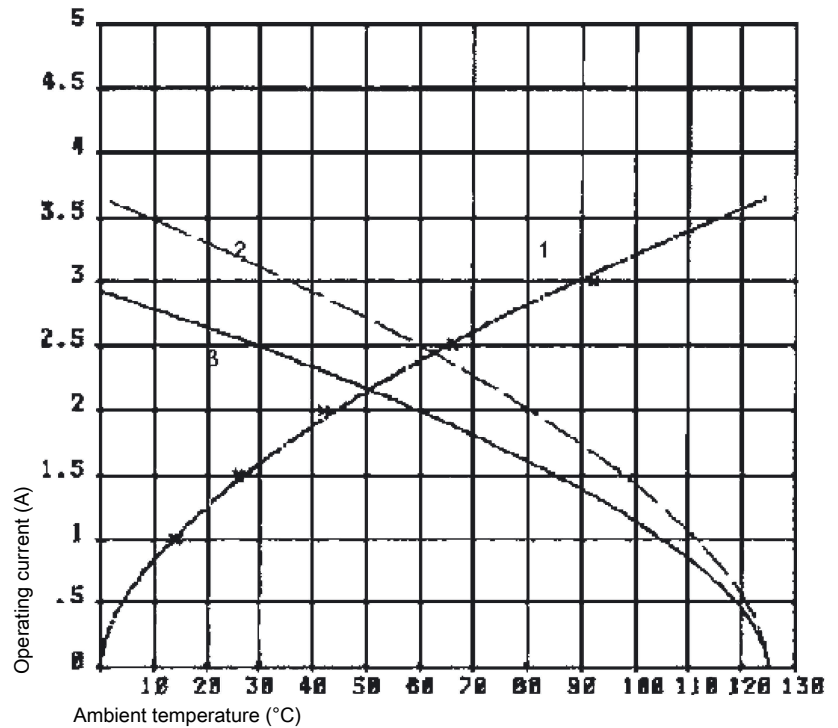


Pushing Performance

Current carrying capacity

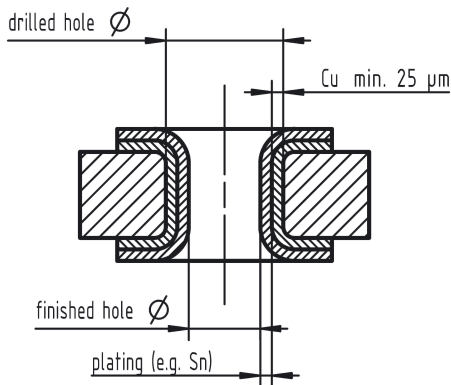
The current carrying capacity of the connectors is limited by the thermal load capability of the contact element material including the connections and the insulating parts. The derating curve is therefore valid for currents which flow constantly (non-intermittent) through each contact element of the connector evenly, without exceeding the allowed maximum temperature.

Measuring and testing techniques acc. to IEC 60512-5-2



- ① Temperature raise
- ② Derating curve
- ③ Derating curve 80%

Recommended configuration of plated through holes



| | | |
|--|----------------|----------------|
| Tin plated PCB (HAL) acc. to EN 60352-5 | Drilled hole Ø | 1,15-0,03 mm |
| | Cu | min. 25 µm |
| | Sn | max. 15 µm |
| | plated hole Ø | 0,94 - 1,09 mm |
| Chemical tin plated PCB | Drilled hole Ø | 1,15-0,03 mm |
| | Cu | min. 25 µm |
| | Sn | min. 0,8µm |
| | plated hole Ø | 1,00 - 1,10 mm |
| Gold /Nickel plated PCB | Drilled hole Ø | 1,15-0,03 mm |
| | Cu | min. 25 µm |
| | Ni | 3 - 7 µm |
| | Au | 0,05 - 0,12 µm |
| Silver plated PCB | Drilled hole Ø | 1,15-0,03 mm |
| | Cu | min. 25 µm |
| | Ag | 0,1 - 0,3 µm |
| | plated hole Ø | 1,00 - 1,10 mm |
| Copper plated PCB (OSP) | Drilled hole Ø | 1,15-0,03 mm |
| | Cu | min. 25 µm |
| | plated hole Ø | 1,00 - 1,10 mm |

In addition to the hot-air-level (HAL) other pcb surfaces are getting more important. Due to their different properties, such as mechanical strength and coefficient of friction we recommend the above mentioned configuration of pcb through holes.

X-ON Electronics

Largest Supplier of Electrical and Electronic Components

Click to view similar products for [Headers & Wire Housings](#) category:

Click to view products by [HARTING](#) manufacturer:

Other Similar products are found below :

[892-18-020-10-001101](#) [58102-G61-06LF](#) [582553-1](#) [0009485154](#) [009176003701906](#) [0050291907](#) [LY20-4P-DT1-P1E-BR](#) [02.125.8002.8](#)
[609-3404](#) [61062-3](#) [622-0430](#) [622-3653LF](#) [63453-116](#) [636-1030](#) [636-1427](#) [636-3427](#) [636-4007](#) [641938-9](#) [641991-4](#) [644827-2](#) [65817-010LF](#)
[65817-015LF](#) [65863-015LF](#) [66207-023LF](#) [67095-007LF](#) [67601157](#) [68648-049](#) [70.362.1628.0](#) [70-4210](#) [70-4226B](#) [70-4853B](#) [707-5020](#) [707-](#)
[5028](#) [71.350.2428.0](#) [71918-208LF](#) [71961-016LF](#) [733-134](#) [733-162](#) [754199-000](#) [760-3052](#) [787-8014-00](#) [79531-3000](#) [FCN-360C032-B](#) [FCN-](#)
[367T-T012/H](#) [FCN-723D010/2](#) [80.063.4001.1](#) [800-90-001-10-001000](#) [800-90-010-10-002000](#) [801-43-002-10-013000](#) [801-43-006-10-002000](#)