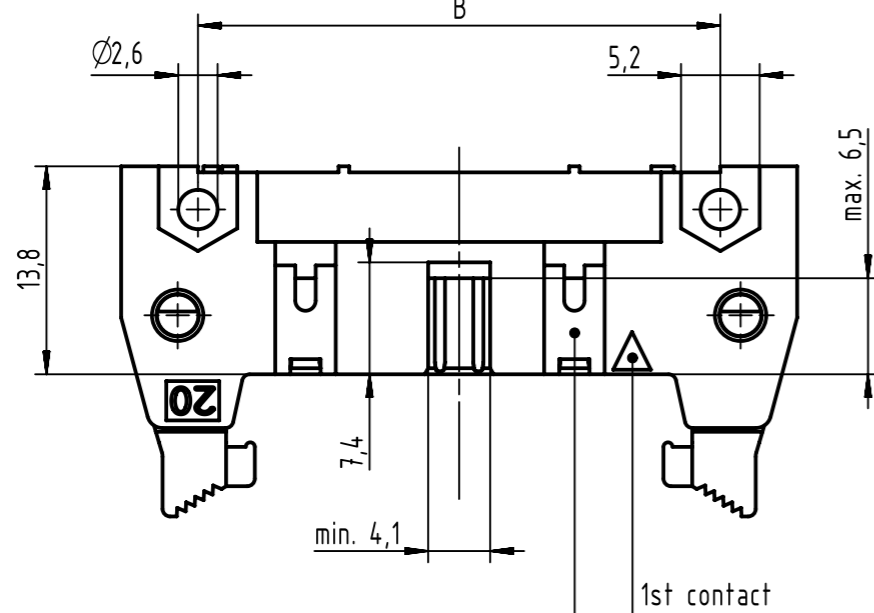
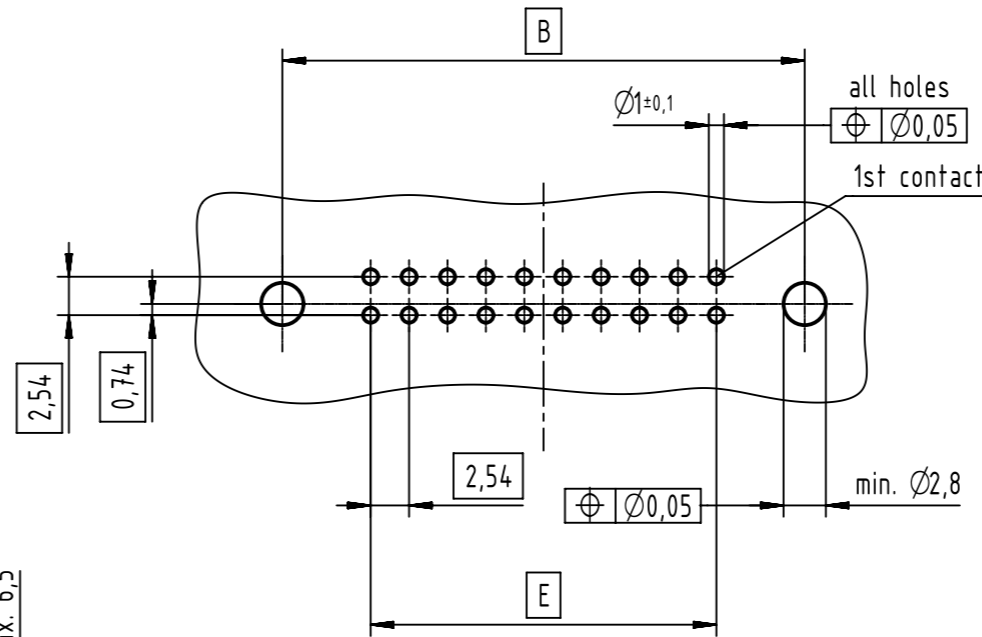
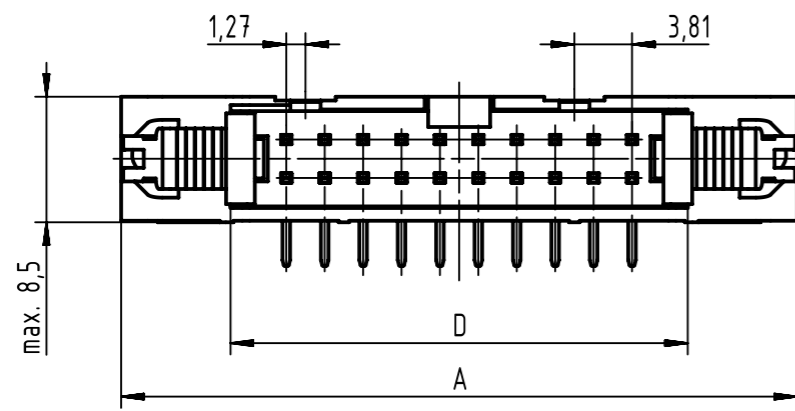
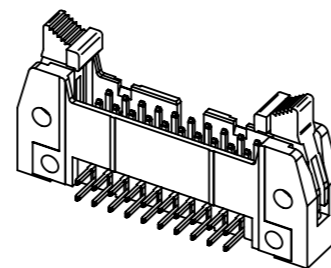


PCB layout  
view component side  
thickness 1,6

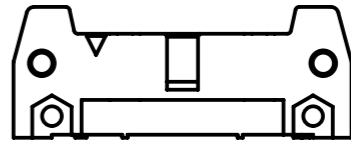
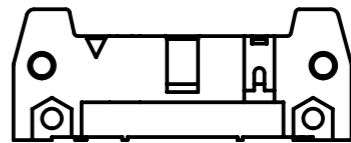
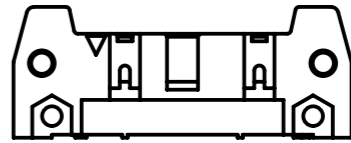



see table for coding,  
feature arrangement and style



further information  
see: DS 09181200001

full range of P/N's and  
dimensions shown on page 2/2

coding style table	
	style A: for connectors 6-pole
	style B: for connectors from 10 to 14-pole
	style C: for connectors from 16 to 64-pole

	All rights reserved Department EC PD - DE	Created by STORCK	Inspected by TADJE	Standardisation KOHLER	Date 2015-12-21	State Final Release	Ref. Sub. TB 09185XXX913/913800 / 500000087654 / 2015-04-08
	HARTING Electronics GmbH D-32339 Espelkamp	Title SEK 18 male standard conn angled with short lever 2.9		Type TB	Number 09185XXX913	Doc-Key / ECM-Nr. 100154464/UGD/021/A 500000094595	Rev. A Page 1/2

1	2		3	4	5	6		7	8	
A	performance level				insulator colour	dimensions				
	no. of contacts	PL3	PL2	S4		A max.	B	D	E	F
		part number	part number	part number						
B	06	09 18 506 7913	09 18 506 6913	09 18 506 5913	grey	27,2	16,76	12,45	2,54 x 2 = 5,08	36,9
	10	09 18 510 7913	09 18 510 6913	09 18 510 5913		32,3	21,84	17,53	2,54 x 4 = 10,16	42,0
	14	09 18 514 7913	09 18 514 6913	09 18 514 5913		37,4	26,92	22,61	2,54 x 6 = 15,24	47,1
	16	09 18 516 7913	09 18 516 6913	09 18 516 5913		39,9	29,46	25,15	2,54 x 7 = 17,78	49,6
	20	09 18 520 7913	09 18 520 6913	09 18 520 5913		45,0	34,54	30,23	2,54 x 9 = 22,86	54,7
	24	09 18 524 7913	09 18 524 6913	09 18 524 5913		50,1	39,62	35,91	2,54 x 11 = 27,94	59,8
	26	09 18 526 7913	09 18 526 6913	09 18 526 5913		52,6	42,16	37,85	2,54 x 12 = 30,48	62,3
	30	09 18 530 7913	09 18 530 6913	09 18 530 5913		58,0	47,24	43,83	2,54 x 14 = 35,56	68,2
	34	09 18 534 7913	09 18 534 6913	09 18 534 5913		62,8	52,32	48,01	2,54 x 16 = 40,64	72,5
	40	09 18 540 7913	09 18 540 6913	09 18 540 5913		70,4	59,94	55,63	2,54 x 19 = 48,26	80,1
	50	09 18 550 7913	09 18 550 6913	09 18 550 5913		83,1	72,64	68,33	2,54 x 24 = 60,96	92,8
	60	09 18 560 7913	09 18 560 6913	09 18 560 5913		95,8	85,34	81,03	2,54 x 29 = 73,66	105,5
C	64	09 18 564 7913	09 18 564 6913	09 18 564 5913	100,9	90,42	86,11	2,54 x 31 = 78,74	110,6	
	06	09 18 506 7913 001	09 18 506 6913 001	09 18 506 5913 001	black	27,2	16,76	12,45	2,54 x 2 = 5,08	36,9
	10	09 18 510 7913 001	09 18 510 6913 001	09 18 510 5913 001		32,3	21,84	17,53	2,54 x 4 = 10,16	42,0
	14	09 18 514 7913 001	09 18 514 6913 001	09 18 514 5913 001		37,4	26,92	22,61	2,54 x 6 = 15,24	47,1
	16	09 18 516 7913 001	09 18 516 6913 001	09 18 516 5913 001		39,9	29,46	25,15	2,54 x 7 = 17,78	49,6
	20	09 18 520 7913 001	09 18 520 6913 001	09 18 520 5913 001		45,0	34,54	30,23	2,54 x 9 = 22,86	54,7
	24	09 18 524 7913 001	09 18 524 6913 001	09 18 524 5913 001		50,1	39,62	35,91	2,54 x 11 = 27,94	59,8
	26	09 18 526 7913 001	09 18 526 6913 001	09 18 526 5913 001		52,6	42,16	37,85	2,54 x 12 = 30,48	62,3
	30	09 18 530 7913 001	09 18 530 6913 001	09 18 530 5913 001		58,0	47,24	43,83	2,54 x 14 = 35,56	68,2
	34	09 18 534 7913 001	09 18 534 6913 001	09 18 534 5913 001		62,8	52,32	48,01	2,54 x 16 = 40,64	72,5
	40	09 18 540 7913 001	09 18 540 6913 001	09 18 540 5913 001		70,4	59,94	55,63	2,54 x 19 = 48,26	80,1
	50	09 18 550 7913 001	09 18 550 6913 001	09 18 550 5913 001		83,1	72,64	68,33	2,54 x 24 = 60,96	92,8
60	09 18 560 7913 001	09 18 560 6913 001	09 18 560 5913 001	95,8		85,34	81,03	2,54 x 29 = 73,66	105,5	
D	64	09 18 564 7913 001	09 18 564 6913 001	09 18 564 5913 001	100,9	90,42	86,11	2,54 x 31 = 78,74	110,6	
	06	09 18 506 7913 800	09 18 506 6913 800	09 18 506 5913 800	grey without printing	27,2	16,76	12,45	2,54 x 2 = 5,08	36,9
	10	09 18 510 7913 800	09 18 510 6913 800	09 18 510 5913 800		32,3	21,84	17,53	2,54 x 4 = 10,16	42,0
	14	09 18 514 7913 800	09 18 514 6913 800	09 18 514 5913 800		37,4	26,92	22,61	2,54 x 6 = 15,24	47,1
	16	09 18 516 7913 800	09 18 516 6913 800	09 18 516 5913 800		39,9	29,46	25,15	2,54 x 7 = 17,78	49,6
	20	09 18 520 7913 800	09 18 520 6913 800	09 18 520 5913 800		45,0	34,54	30,23	2,54 x 9 = 22,86	54,7
	24	09 18 524 7913 800	09 18 524 6913 800	09 18 524 5913 800		50,1	39,62	35,91	2,54 x 11 = 27,94	59,8
	26	09 18 526 7913 800	09 18 526 6913 800	09 18 526 5913 800		52,6	42,16	37,85	2,54 x 12 = 30,48	62,3
	30	09 18 530 7913 800	09 18 530 6913 800	09 18 530 5913 800		58,0	47,24	43,83	2,54 x 14 = 35,56	68,2
	34	09 18 534 7913 800	09 18 534 6913 800	09 18 534 5913 800		62,8	52,32	48,01	2,54 x 16 = 40,64	72,5
	40	09 18 540 7913 800	09 18 540 6913 800	09 18 540 5913 800		70,4	59,94	55,63	2,54 x 19 = 48,26	80,1
	50	09 18 550 7913 800	09 18 550 6913 800	09 18 550 5913 800		83,1	72,64	68,33	2,54 x 24 = 60,96	92,8
60	09 18 560 7913 800	09 18 560 6913 800	09 18 560 5913 800	95,8		85,34	81,03	2,54 x 29 = 73,66	105,5	
E	64	09 18 564 7913 800	09 18 564 6913 800	09 18 564 5913 800	100,9	90,42	86,11	2,54 x 31 = 78,74	110,6	

	All rights reserved	Created by	Inspected by	Standardisation	Date	State	
	Department EC PD - DE	STORCK	TADJE	KOHLER	2015-12-21	Final Release	
HARTING Electronics GmbH		Title				Doc-Key / ECM-Nr.	
D-32339 Espelkamp		SEK 18 male standard conn angled with short lever 2.9				100154464/UGD/021/A 50000094595	
		Type	Number		Rev.	Page	
		TB	09185XXX913		A	2/2	

## X-ON Electronics

Largest Supplier of Electrical and Electronic Components

*Click to view similar products for [DIN 41612 Connectors](#) category:*

*Click to view products by [HARTING](#) manufacturer:*

Other Similar products are found below :

[09231126901](#) [PCN10F-24P-2.54DS\(72\)](#) [004.767](#) [02221602702](#) [024069](#) [602427301412000](#) [013275](#) [691327-1](#) [74670-0732](#) [74680-0340](#)  
[75880-0015](#) [76453-0014](#) [86093159ALF](#) [923454](#) [QLC260R](#) [120X10099X](#) [120X10019X](#) [120X10089X](#) [120X10129X](#) [121A10039X](#)  
[121A10309X](#) [122A10019X](#) [122A10029X](#) [122A10249X](#) [122A10669X](#) [122A11089X](#) [122A13089X](#) [121B10409X](#) [122A10089X](#)  
[122A10129X](#) [122A10349X](#) [122A13359X](#) [1377391-4](#) [DIN-048CPC-SR1-MH](#) [1393583-2](#) [1393726-7](#) [140X10059X](#) [140X10129X](#) [143-1913-](#)  
[000](#) [143-1908-000](#) [1484472-1](#) [173052](#) [2110070-1](#) [2110070-2](#) [CBC20T00-008FDS5-0-1-002VR](#) [983-0SE12-12P6](#) [17041102202](#) [172699-](#)  
[5036](#) [173051](#) [20](#) [8457096](#) [010](#) [025](#)