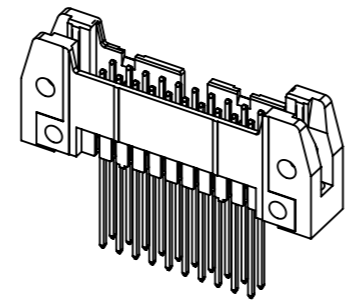
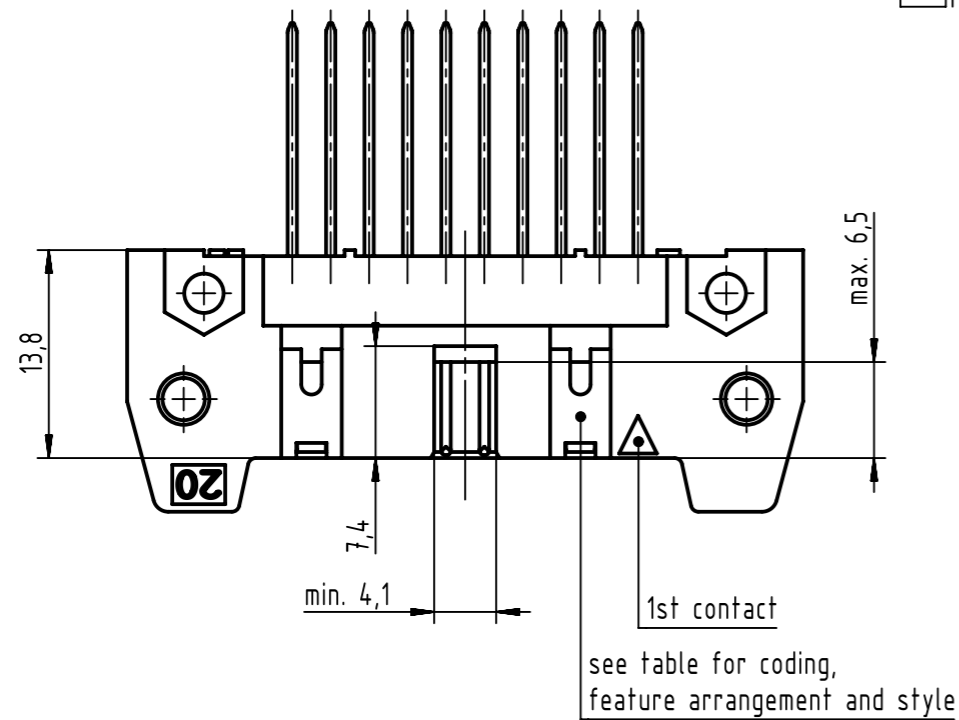
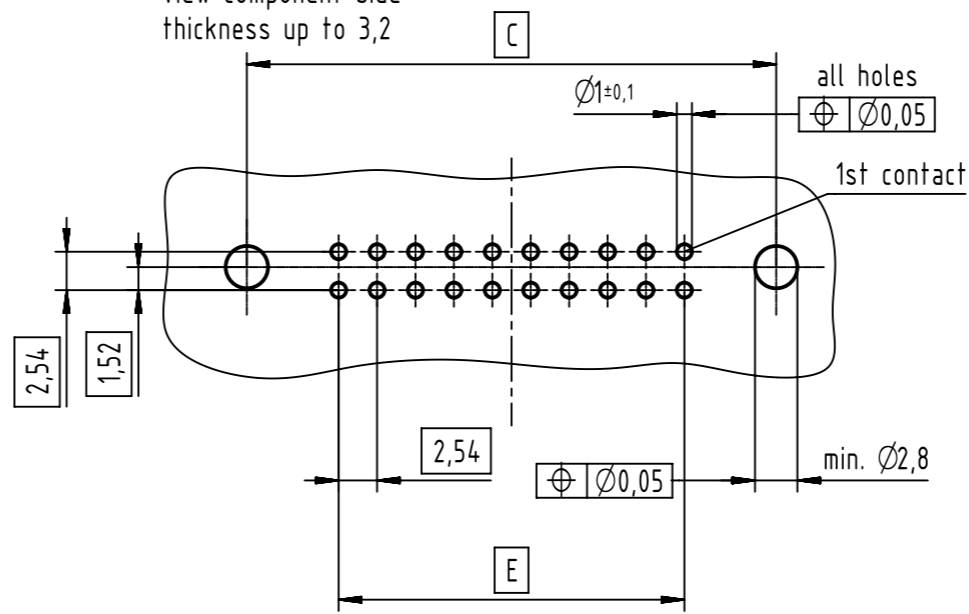
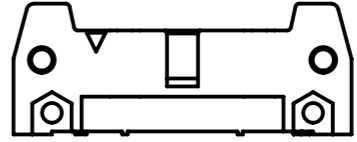
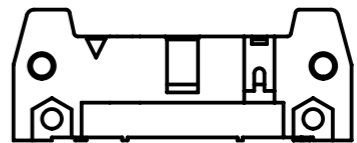
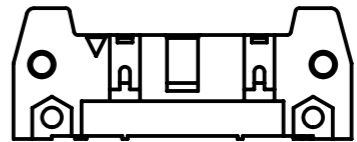


PCB layout
view component side
thickness up to 3,2

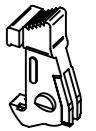


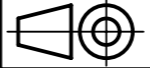

coding style table	
	style A: for connectors 6-pole
	style B: for connectors from 10 to 14-pole
	style C: for connectors from 16 to 64-pole

further information
see: DS 09181200001

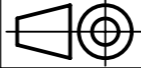
full range of P/N's and
dimensions shown on page 2/2

locking levers have to be order separately
- long locking lever: 09180009903
- short locking lever: 09180009904



	All Dimensions in mm Original Size DIN A3	Scale 2:1	Free size tol. IEC 60603-13	Ref. Sub.
	All rights reserved Department EC PD - DE	Created by STORCK	Inspected by TADJE	Standardisation KOHLER
HARTING Electronics GmbH D-32339 Espelkamp		Title SEK 18 male standard conn str WW w/o lever 15.0	Date 2015-12-21	State Final Release
Type TB	Number 09185XXX927	Doc-Key / ECM-Nr. 100154464/UGD/052/A 50000094595		Rev. A
				Page 1/2

no. of contacts	performance level			insulator colour	dimensions			
	PL3	PL2	S4		A max.	C	D	E
	part number	part number	part number					
06	09 18 506 7927	09 18 506 6927	09 18 506 5927	grey	27,2	22,86	12,45	2,54 x 2 = 5,08
10	09 18 510 7927	09 18 510 6927	09 18 510 5927		32,3	27,94	17,53	2,54 x 4 = 10,16
14	09 18 514 7927	09 18 514 6927	09 18 514 5927		37,4	33,02	22,61	2,54 x 6 = 15,24
16	09 18 516 7927	09 18 516 6927	09 18 516 5927		39,9	35,56	25,15	2,54 x 7 = 17,78
20	09 18 520 7927	09 18 520 6927	09 18 520 5927		45,0	40,64	30,23	2,54 x 9 = 22,86
24	09 18 524 7927	09 18 524 6927	09 18 524 5927		50,1	45,72	35,91	2,54 x 11 = 27,94
26	09 18 526 7927	09 18 526 6927	09 18 526 5927		52,6	48,26	37,85	2,54 x 12 = 30,48
30	09 18 530 7927	09 18 530 6927	09 18 530 5927		58,0	53,34	43,83	2,54 x 14 = 35,56
34	09 18 534 7927	09 18 534 6927	09 18 534 5927		62,8	58,42	48,01	2,54 x 16 = 40,64
40	09 18 540 7927	09 18 540 6927	09 18 540 5927		70,4	66,04	55,63	2,54 x 19 = 48,26
50	09 18 550 7927	09 18 550 6927	09 18 550 5927		83,1	78,74	68,33	2,54 x 24 = 60,96
60	09 18 560 7927	09 18 560 6927	09 18 560 5927		95,8	91,44	81,03	2,54 x 29 = 73,66
64	09 18 564 7927	09 18 564 6927	09 18 564 5927		100,9	96,52	86,11	2,54 x 31 = 78,74

	All Dimensions in mm Original Size DIN A3	Scale 1:1	Free size tol.		Ref.
	All rights reserved Department EC PD - DE	Created by STORCK	Inspected by TADJE	Standardisation KOHLER	Date 2015-12-21
HARTING Electronics GmbH D-32339 Espelkamp		Title SEK 18 male standard conn str WW w/o lever 15.0			State Final Release
		Type TB	Number 09185XXX927		Doc-Key / ECM-Nr. 100154464/UGD/052/A 50000094595
				Rev. A	Page 2/2

X-ON Electronics

Largest Supplier of Electrical and Electronic Components

Click to view similar products for [Headers & Wire Housings](#) category:

Click to view products by [HARTING](#) manufacturer:

Other Similar products are found below :

[95000-104TRLF](#) [10135584-644402LF](#) [DF62W-EP2022PCA](#) [95000-106TRLF](#) [DF62W-2022SCA](#) [DF62W-EP2022PC](#) [2203348](#) [DF62W-2022SC](#) [1084018](#) [1029039](#) [1084017](#) [802-10-012-10-002000](#) [1112640](#) [1112639](#) [891-007-9SS-BST1T](#) [000-34000](#) [0008550134](#) [0009482033](#) [0009507031](#) [57102-F02-18ULF](#) [57102-S06-03LF](#) [57202-S52-04LF](#) [PCN6-15S-2.5E](#) [0039019024](#) [58102-G61-06LF](#) [582553-1](#) [0009485154](#) [0009508121](#) [0022285053](#) [0050291907](#) [018731A](#) [LY20-4P-DT1-P1E-BR](#) [02.125.8002.8](#) [60101931](#) [60598-1 \(Cut Strip\)](#) [M1625-3R/100](#) [61062-3](#) [61082-181009](#) [CSU011177004](#) [636-1427](#) [638009-1](#) [641938-9](#) [641991-4](#) [644168-1](#) [644827-2](#) [647662-1](#) [65039-019ELF](#) [65692-001LF](#) [65781-018](#) [65781-047](#)