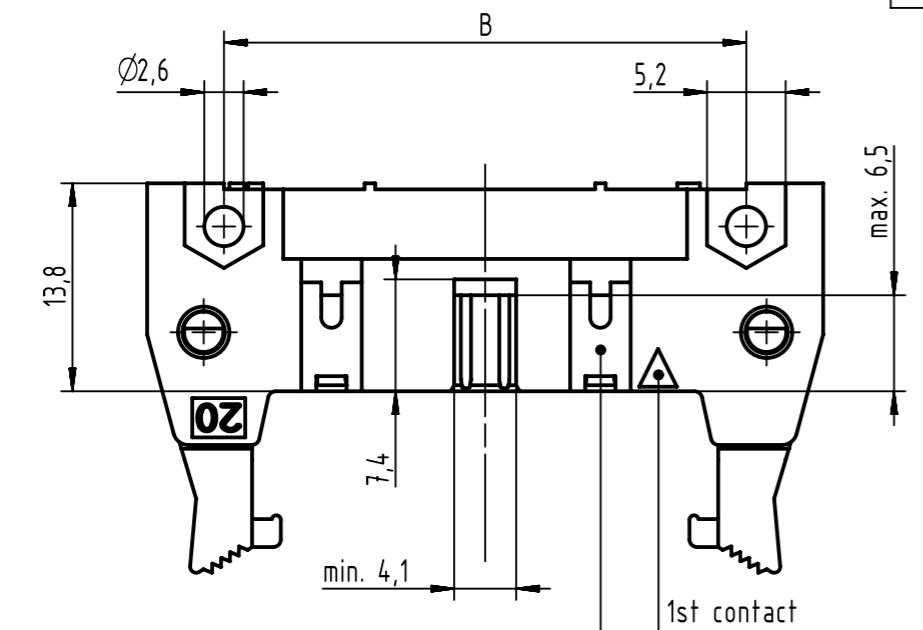
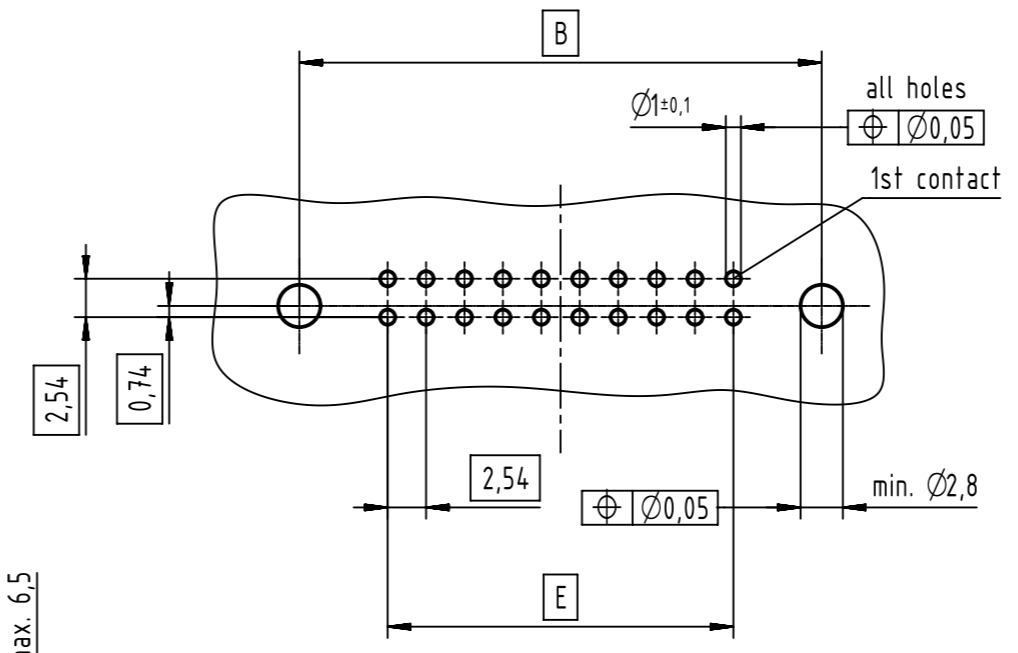
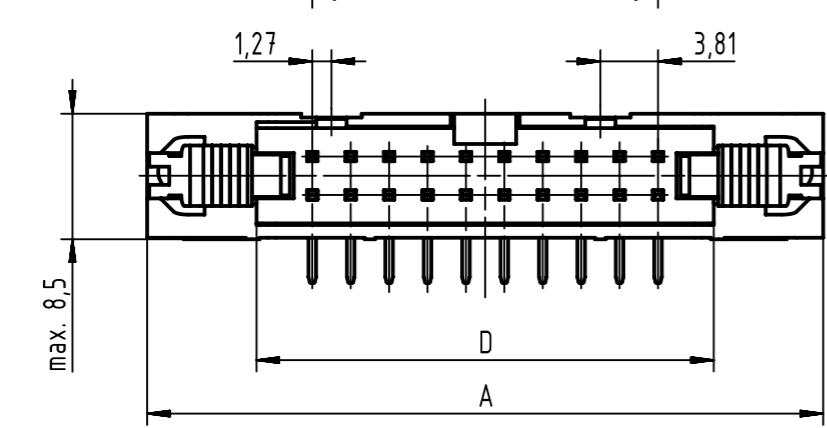
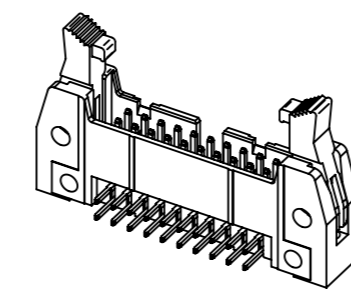


PCB layout  
view component side  
thickness 1,6



see table for coding,  
feature arrangement and style



coding style table	
	style A: for connectors 6-pole
	style B: for connectors from 10 to 14-pole
	style C: for connectors from 16 to 64-pole

further information  
see: DS 09181200001

full range of P/N's and  
dimensions shown on page 2/2

All Dimensions in mm Original Size DIN A3		Scale 2:1	Free size tol. IEC 60603-13	Ref. Sub. TB 09185XXX903/903800 / 500000087654 / 2015-04-08	
All rights reserved Department EC PD - DE HARTING Electronics GmbH D-32339 Espelkamp	Created by STORCK	Inspected by TADJE	Standardisation KOHLER	Date 2015-12-21	State Final Release
	Title SEK 18 male standard conn angled with long lever 2.9				Doc-Key / ECM-Nr. 100154464/UGD/016/A 50000094595
Type TB	Number 09185XXX903			Rev. A	Page 1/2

A	1	performance level			5	dimensions					8		
		no. of contacts	PL3	PL2		S4	insulator colour	A max.	B	D		E	G
			part number	part number		part number							
B	06	09 18 506 7903	09 18 506 6903	09 18 506 5903	grey	27,2	16,76	12,45	2,54 x 2 = 5,08	40,3			
	10	09 18 510 7903	09 18 510 6903	09 18 510 5903		32,3	21,84	17,53	2,54 x 4 = 10,16	45,4			
	14	09 18 514 7903	09 18 514 6903	09 18 514 5903		37,4	26,92	22,61	2,54 x 6 = 15,24	50,4			
	16	09 18 516 7903	09 18 516 6903	09 18 516 5903		39,9	29,46	25,15	2,54 x 7 = 17,78	53,0			
	20	09 18 520 7903	09 18 520 6903	09 18 520 5903		45,0	34,54	30,23	2,54 x 9 = 22,86	58,1			
	24	09 18 524 7903	09 18 524 6903	09 18 524 5903		50,1	39,62	35,91	2,54 x 11 = 27,94	63,2			
	26	09 18 526 7903	09 18 526 6903	09 18 526 5903		52,6	42,16	37,85	2,54 x 12 = 30,48	65,7			
	30	09 18 530 7903	09 18 530 6903	09 18 530 5903		58,0	47,24	43,83	2,54 x 14 = 35,56	68,6			
	34	09 18 534 7903	09 18 534 6903	09 18 534 5903		62,8	52,32	48,01	2,54 x 16 = 40,64	75,8			
	40	09 18 540 7903	09 18 540 6903	09 18 540 5903		70,4	59,94	55,63	2,54 x 19 = 48,26	83,5			
	50	09 18 550 7903	09 18 550 6903	09 18 550 5903		83,1	72,64	68,33	2,54 x 24 = 60,96	96,2			
	60	09 18 560 7903	09 18 560 6903	09 18 560 5903		95,8	85,34	81,03	2,54 x 29 = 73,66	108,9			
	64	09 18 564 7903	09 18 564 6903	09 18 564 5903		100,9	90,42	86,11	2,54 x 31 = 78,74	113,9			
	C	06	09 18 506 7903 001	09 18 506 6903 001		09 18 506 5903 001	black	27,2	16,76	12,45	2,54 x 2 = 5,08	40,3	
10		09 18 510 7903 001	09 18 510 6903 001	09 18 510 5903 001	32,3	21,84		17,53	2,54 x 4 = 10,16	45,4			
14		09 18 514 7903 001	09 18 514 6903 001	09 18 514 5903 001	37,4	26,92		22,61	2,54 x 6 = 15,24	50,4			
16		09 18 516 7903 001	09 18 516 6903 001	09 18 516 5903 001	39,9	29,46		25,15	2,54 x 7 = 17,78	53,0			
20		09 18 520 7903 001	09 18 520 6903 001	09 18 520 5903 001	45,0	34,54		30,23	2,54 x 9 = 22,86	58,1			
24		09 18 524 7903 001	09 18 524 6903 001	09 18 524 5903 001	50,1	39,62		35,91	2,54 x 11 = 27,94	63,2			
26		09 18 526 7903 001	09 18 526 6903 001	09 18 526 5903 001	52,6	42,16		37,85	2,54 x 12 = 30,48	65,7			
30		09 18 530 7903 001	09 18 530 6903 001	09 18 530 5903 001	58,0	47,24		43,83	2,54 x 14 = 35,56	68,6			
34		09 18 534 7903 001	09 18 534 6903 001	09 18 534 5903 001	62,8	52,32		48,01	2,54 x 16 = 40,64	75,8			
40		09 18 540 7903 001	09 18 540 6903 001	09 18 540 5903 001	70,4	59,94		55,63	2,54 x 19 = 48,26	83,5			
50		09 18 550 7903 001	09 18 550 6903 001	09 18 550 5903 001	83,1	72,64		68,33	2,54 x 24 = 60,96	96,2			
60		09 18 560 7903 001	09 18 560 6903 001	09 18 560 5903 001	95,8	85,34		81,03	2,54 x 29 = 73,66	108,9			
64		09 18 564 7903 001	09 18 564 6903 001	09 18 564 5903 001	100,9	90,42		86,11	2,54 x 31 = 78,74	113,9			
D		06	09 18 506 7903 800	09 18 506 6903 800	09 18 506 5903 800	grey without printing		27,2	16,76	12,45	2,54 x 2 = 5,08	40,3	
	10	09 18 510 7903 800	09 18 510 6903 800	09 18 510 5903 800	32,3		21,84	17,53	2,54 x 4 = 10,16	45,4			
	14	09 18 514 7903 800	09 18 514 6903 800	09 18 514 5903 800	37,4		26,92	22,61	2,54 x 6 = 15,24	50,4			
	16	09 18 516 7903 800	09 18 516 6903 800	09 18 516 5903 800	39,9		29,46	25,15	2,54 x 7 = 17,78	53,0			
	20	09 18 520 7903 800	09 18 520 6903 800	09 18 520 5903 800	45,0		34,54	30,23	2,54 x 9 = 22,86	58,1			
	24	09 18 524 7903 800	09 18 524 6903 800	09 18 524 5903 800	50,1		39,62	35,91	2,54 x 11 = 27,94	63,2			
	26	09 18 526 7903 800	09 18 526 6903 800	09 18 526 5903 800	52,6		42,16	37,85	2,54 x 12 = 30,48	65,7			
	30	09 18 530 7903 800	09 18 530 6903 800	09 18 530 5903 800	58,0		47,24	43,83	2,54 x 14 = 35,56	68,6			
	34	09 18 534 7903 800	09 18 534 6903 800	09 18 534 5903 800	62,8		52,32	48,01	2,54 x 16 = 40,64	75,8			
	40	09 18 540 7903 800	09 18 540 6903 800	09 18 540 5903 800	70,4		59,94	55,63	2,54 x 19 = 48,26	83,5			
	50	09 18 550 7903 800	09 18 550 6903 800	09 18 550 5903 800	83,1		72,64	68,33	2,54 x 24 = 60,96	96,2			
	60	09 18 560 7903 800	09 18 560 6903 800	09 18 560 5903 800	95,8		85,34	81,03	2,54 x 29 = 73,66	108,9			
	64	09 18 564 7903 800	09 18 564 6903 800	09 18 564 5903 800	100,9		90,42	86,11	2,54 x 31 = 78,74	113,9			

	All rights reserved	Created by	Inspected by	Standardisation	Date	State	
	Department EC PD - DE	STORCK	TADJE	KOHLER	2015-12-21	Final Release	
HARTING Electronics GmbH D-32339 Espelkamp		Title SEK 18 male standard conn angled with long lever 2.9				Doc-Key / ECM-Nr. 100154464/UGD/016/A 50000094595	
		Type	Number		Rev.	Page	
		TB	09185XXX903		A	2/2	

## X-ON Electronics

Largest Supplier of Electrical and Electronic Components

*Click to view similar products for [Headers & Wire Housings](#) category:*

*Click to view products by [HARTING](#) manufacturer:*

Other Similar products are found below :

[95000-104TRLF](#) [10135584-644402LF](#) [DF62W-EP2022PCA](#) [95000-106TRLF](#) [DF62W-2022SCA](#) [DF62W-EP2022PC](#) [2203348](#) [DF62W-2022SC](#) [1084018](#) [1029039](#) [1084017](#) [802-10-012-10-002000](#) [1112640](#) [1112639](#) [891-007-9SS-BST1T](#) [000-34000](#) [0008550134](#) [0009482033](#) [0009507031](#) [57102-F02-18ULF](#) [57102-S06-03LF](#) [57202-S52-04LF](#) [PCN6-15S-2.5E](#) [0039019024](#) [58102-G61-06LF](#) [582553-1](#) [0009485154](#) [0009508121](#) [0022285053](#) [0050291907](#) [018731A](#) [LY20-4P-DT1-P1E-BR](#) [02.125.8002.8](#) [60101931](#) [60598-1 \(Cut Strip\)](#) [M1625-3R/100](#) [61062-3](#) [61082-181009](#) [CSU011177004](#) [636-1427](#) [638009-1](#) [641938-9](#) [641991-4](#) [644168-1](#) [644827-2](#) [647662-1](#) [65039-019ELF](#) [65692-001LF](#) [65781-018](#) [65781-047](#)