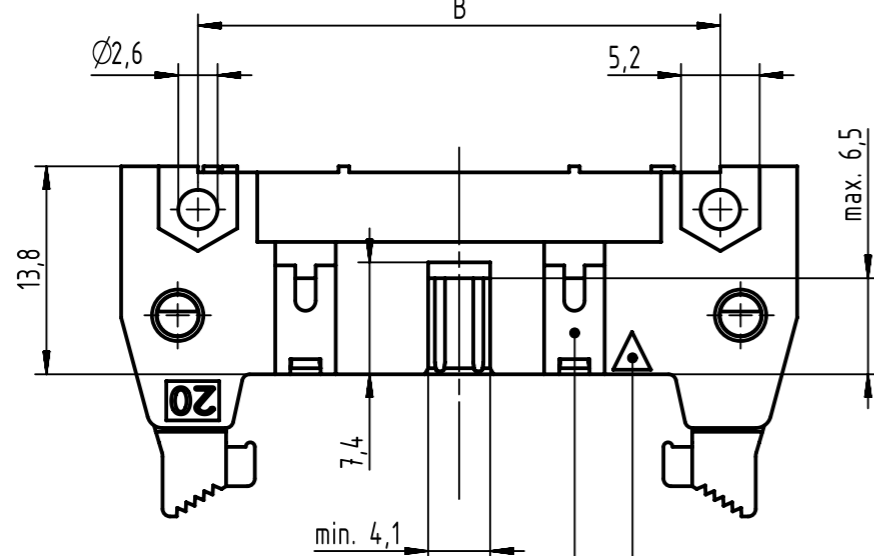
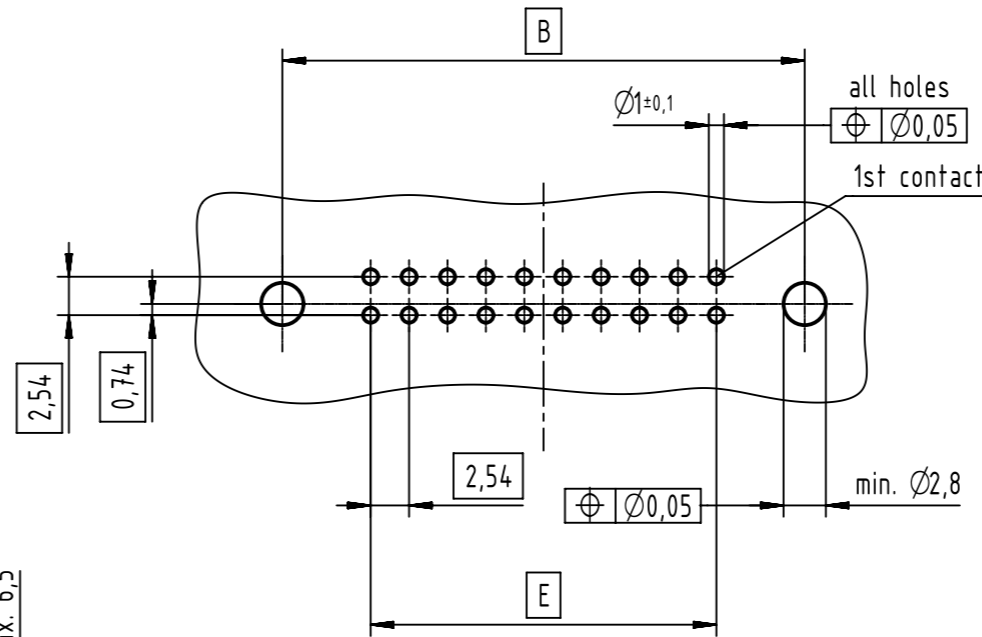
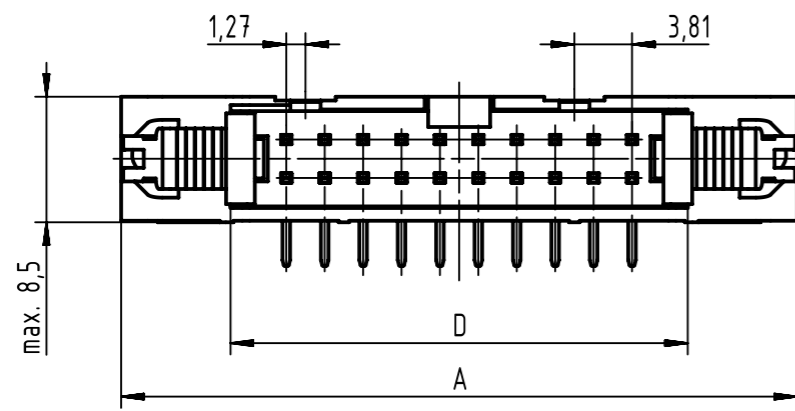
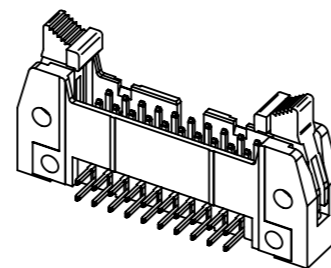
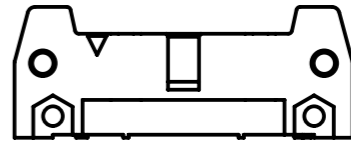
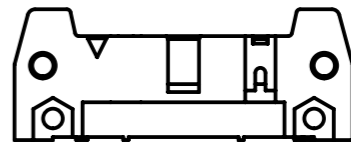
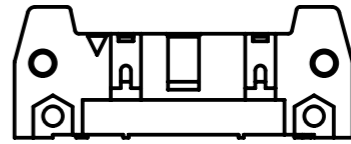


PCB layout
view component side
thickness 1,6




see table for coding,
feature arrangement and style



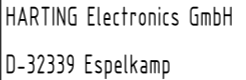


coding style table	
	style A: for connectors 6-pole
	style B: for connectors from 10 to 14-pole
	style C: for connectors from 16 to 64-pole

further information
see: DS 09181200001

full range of P/N's and
dimensions shown on page 2/2

	All rights reserved Department EC PD - DE	Created by STORCK	Inspected by TADJE	Standardisation KOHLER	Date 2015-12-21	State Final Release	
	HARTING Electronics GmbH D-32339 Espelkamp	Title SEK 18 male standard conn angled with short lever 2.9			Type TB	Number 09185XXX913	Doc-Key / ECM-Nr. 100154464/UGD/021/A 50000094595
All Dimensions in mm Original Size DIN A3						Scale 2:1	Free size tol. IEC 60603-13
Ref. Sub. TB 09185XXX913/913800 / 500000087654 / 2015-04-08						Rev. A	Page 1/2

1	2		3		4		5		6		7		8						
A	performance level												insulator colour	dimensions					
	no. of contacts	PL3		PL2		S4		A max.	B	D	E			F					
	part number	part number		part number		part number													
B	06	09 18 506 7913	09 18 506 6913	09 18 506 5913	grey	27,2	16,76	12,45	2,54 x 2 = 5,08		36,9								
	10	09 18 510 7913	09 18 510 6913	09 18 510 5913		32,3	21,84	17,53	2,54 x 4 = 10,16		42,0								
	14	09 18 514 7913	09 18 514 6913	09 18 514 5913		37,4	26,92	22,61	2,54 x 6 = 15,24		47,1								
	16	09 18 516 7913	09 18 516 6913	09 18 516 5913		39,9	29,46	25,15	2,54 x 7 = 17,78		49,6								
	20	09 18 520 7913	09 18 520 6913	09 18 520 5913		45,0	34,54	30,23	2,54 x 9 = 22,86		54,7								
	24	09 18 524 7913	09 18 524 6913	09 18 524 5913		50,1	39,62	35,91	2,54 x 11 = 27,94		59,8								
	26	09 18 526 7913	09 18 526 6913	09 18 526 5913		52,6	42,16	37,85	2,54 x 12 = 30,48		62,3								
	30	09 18 530 7913	09 18 530 6913	09 18 530 5913		58,0	47,24	43,83	2,54 x 14 = 35,56		68,2								
	34	09 18 534 7913	09 18 534 6913	09 18 534 5913		62,8	52,32	48,01	2,54 x 16 = 40,64		72,5								
	40	09 18 540 7913	09 18 540 6913	09 18 540 5913		70,4	59,94	55,63	2,54 x 19 = 48,26		80,1								
	50	09 18 550 7913	09 18 550 6913	09 18 550 5913		83,1	72,64	68,33	2,54 x 24 = 60,96		92,8								
	60	09 18 560 7913	09 18 560 6913	09 18 560 5913		95,8	85,34	81,03	2,54 x 29 = 73,66		105,5								
C	64	09 18 564 7913	09 18 564 6913	09 18 564 5913	100,9	90,42	86,11	2,54 x 31 = 78,74		110,6									
	06	09 18 506 7913 001	09 18 506 6913 001	09 18 506 5913 001	27,2	16,76	12,45	2,54 x 2 = 5,08		36,9									
	10	09 18 510 7913 001	09 18 510 6913 001	09 18 510 5913 001	32,3	21,84	17,53	2,54 x 4 = 10,16		42,0									
	14	09 18 514 7913 001	09 18 514 6913 001	09 18 514 5913 001	37,4	26,92	22,61	2,54 x 6 = 15,24		47,1									
	16	09 18 516 7913 001	09 18 516 6913 001	09 18 516 5913 001	39,9	29,46	25,15	2,54 x 7 = 17,78		49,6									
	20	09 18 520 7913 001	09 18 520 6913 001	09 18 520 5913 001	45,0	34,54	30,23	2,54 x 9 = 22,86		54,7									
	24	09 18 524 7913 001	09 18 524 6913 001	09 18 524 5913 001	50,1	39,62	35,91	2,54 x 11 = 27,94		59,8									
	26	09 18 526 7913 001	09 18 526 6913 001	09 18 526 5913 001	52,6	42,16	37,85	2,54 x 12 = 30,48		62,3									
	30	09 18 530 7913 001	09 18 530 6913 001	09 18 530 5913 001	58,0	47,24	43,83	2,54 x 14 = 35,56		68,2									
	34	09 18 534 7913 001	09 18 534 6913 001	09 18 534 5913 001	62,8	52,32	48,01	2,54 x 16 = 40,64		72,5									
	40	09 18 540 7913 001	09 18 540 6913 001	09 18 540 5913 001	70,4	59,94	55,63	2,54 x 19 = 48,26		80,1									
	50	09 18 550 7913 001	09 18 550 6913 001	09 18 550 5913 001	83,1	72,64	68,33	2,54 x 24 = 60,96		92,8									
D	60	09 18 560 7913 001	09 18 560 6913 001	09 18 560 5913 001	95,8	85,34	81,03	2,54 x 29 = 73,66		105,5									
	64	09 18 564 7913 001	09 18 564 6913 001	09 18 564 5913 001	100,9	90,42	86,11	2,54 x 31 = 78,74		110,6									
	06	09 18 506 7913 800	09 18 506 6913 800	09 18 506 5913 800	27,2	16,76	12,45	2,54 x 2 = 5,08		36,9									
	10	09 18 510 7913 800	09 18 510 6913 800	09 18 510 5913 800	32,3	21,84	17,53	2,54 x 4 = 10,16		42,0									
	14	09 18 514 7913 800	09 18 514 6913 800	09 18 514 5913 800	37,4	26,92	22,61	2,54 x 6 = 15,24		47,1									
	16	09 18 516 7913 800	09 18 516 6913 800	09 18 516 5913 800	39,9	29,46	25,15	2,54 x 7 = 17,78		49,6									
	20	09 18 520 7913 800	09 18 520 6913 800	09 18 520 5913 800	45,0	34,54	30,23	2,54 x 9 = 22,86		54,7									
	24	09 18 524 7913 800	09 18 524 6913 800	09 18 524 5913 800	50,1	39,62	35,91	2,54 x 11 = 27,94		59,8									
	26	09 18 526 7913 800	09 18 526 6913 800	09 18 526 5913 800	52,6	42,16	37,85	2,54 x 12 = 30,48		62,3									
	30	09 18 530 7913 800	09 18 530 6913 800	09 18 530 5913 800	58,0	47,24	43,83	2,54 x 14 = 35,56		68,2									
	34	09 18 534 7913 800	09 18 534 6913 800	09 18 534 5913 800	62,8	52,32	48,01	2,54 x 16 = 40,64		72,5									
	40	09 18 540 7913 800	09 18 540 6913 800	09 18 540 5913 800	70,4	59,94	55,63	2,54 x 19 = 48,26		80,1									
E	50	09 18 550 7913 800	09 18 550 6913 800	09 18 550 5913 800	83,1	72,64	68,33	2,54 x 24 = 60,96		92,8									
	60	09 18 560 7913 800	09 18 560 6913 800	09 18 560 5913 800	95,8	85,34	81,03	2,54 x 29 = 73,66		105,5									
	64	09 18 564 7913 800	09 18 564 6913 800	09 18 564 5913 800	100,9	90,42	86,11	2,54 x 31 = 78,74		110,6									
	F	 All Dimensions in mm Original Size DIN A3												Scale	Free size tol.		Ref.		
		 All rights reserved Department EC PD - DE												Created by	Inspected by	Standardisation	Date	State	
		 HARTING Electronics GmbH D-32339 Espelkamp												Title	SEK 18 male standard conn angled with short lever 2.9				Doc-Key / ECM-Nr.
														Type	Number	Rev.		Page	
														TB	09185XXX913	A		2/2	
																Sub. TB 09185XXX913/913800 / 500000087654 / 2015-04-08			
																Date 2015-12-21		State Final Release	
																		100154464/UGD/021/A 50000094595	

X-ON Electronics

Largest Supplier of Electrical and Electronic Components

Click to view similar products for [Headers & Wire Housings](#) category:

Click to view products by [HARTING](#) manufacturer:

Other Similar products are found below :

[95000-104TRLF](#) [10135584-644402LF](#) [DF62W-EP2022PCA](#) [95000-106TRLF](#) [DF62W-2022SCA](#) [DF62W-EP2022PC](#) [2203348](#) [DF62W-2022SC](#) [1084018](#) [1029039](#) [1084017](#) [802-10-012-10-002000](#) [1112640](#) [1112639](#) [891-007-9SS-BST1T](#) [000-34000](#) [0008550134](#) [0009482033](#) [0009507031](#) [57102-F02-18ULF](#) [57102-S06-03LF](#) [57202-S52-04LF](#) [PCN6-15S-2.5E](#) [0039019024](#) [58102-G61-06LF](#) [582553-1](#) [0009485154](#) [0009508121](#) [0022285053](#) [0050291907](#) [018731A](#) [LY20-4P-DT1-P1E-BR](#) [02.125.8002.8](#) [60101931](#) [60598-1 \(Cut Strip\)](#) [M1625-3R/100](#) [61062-3](#) [61082-181009](#) [CSU011177004](#) [636-1427](#) [638009-1](#) [641938-9](#) [641991-4](#) [644168-1](#) [644827-2](#) [647662-1](#) [65039-019ELF](#) [65692-001LF](#) [65781-018](#) [65781-047](#)