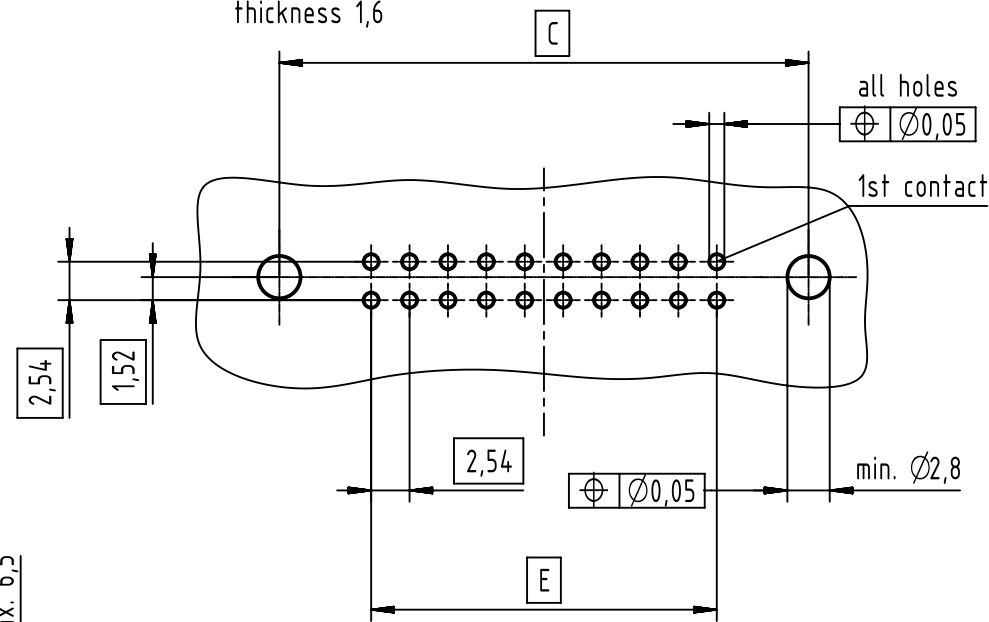
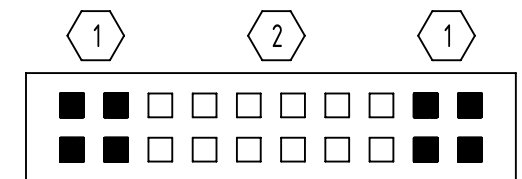


PCB layout
view component side
thickness 1,6



further information see:
DS 09181200001 for 09185XXX024
DS 09191230202 for 09195XXX024

full range of P/N's and
dimensions shown on page 2/2



□ = straight contact
■ = kinked contact

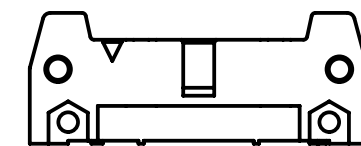
1 kinked contacts

PCB thickness from 1,50 to 1,94 mm after Cu+Sn plating
with non remelted plated through holes $\varnothing 0,85$ mm to $\varnothing 1,05$ mm
max. insertion force = 125N
min. retention force = 3N

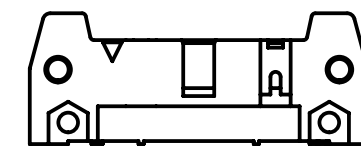
2 non kinked contacts

solder contacts for PCB connections
 $\varnothing 1\pm 0,1$ acc. to IEC 60603-13

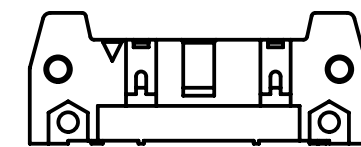
coding style table



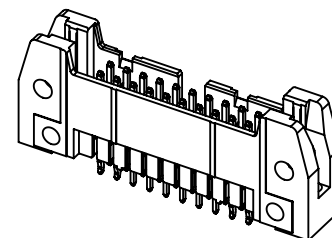
style A:
for connectors 6-pole



style B:
for connectors
from 10 to 14-pole



style C:
for connectors
from 16 to 64-pole



1st contact
see table for coding,
feature arrangement and style

All rights reserved Department EC PD - DE HARTING Electronics GmbH D-32339 Espelkamp		All Dimensions in mm Original Size DIN A3 Scale 2:1 Created by STORCK Inspected by TADJE Standardisation KOHLER Date 2015-12-21 State Final Release Title SEK 18/19 male STD straight kinked w/o lever 2.9 Type TB Number 091X5XXX024	Free size tol. IEC 60603-13 Ref. Sub. TB 091X5XXX024 / 500000087654 / 2015-04-08 Doc-Key / ECM-Nr. 100154464/UGD/044/A 50000094644 Rev. A Page 1/2
---	--	---	--

no. of contacts	performance level			solder process	insulator colour	dimensions			
	PL3	PL2	S4			A max.	C	D	E
	part number	part number	part number						
06	09 18 506 7024	09 18 506 6024	09 18 506 5024	wave soldering	grey	27,2	22,86	12,45	2,54 x 2 = 5,08
10	09 18 510 7024	09 18 510 6024	09 18 510 5024			32,3	27,94	17,53	2,54 x 4 = 10,16
14	09 18 514 7024	09 18 514 6024	09 18 514 5024			37,4	33,02	22,61	2,54 x 6 = 15,24
16	09 18 516 7024	09 18 516 6024	09 18 516 5024			39,9	35,56	25,15	2,54 x 7 = 17,78
20	09 18 520 7024	09 18 520 6024	09 18 520 5024			45,0	40,64	30,23	2,54 x 9 = 22,86
24	09 18 524 7024	09 18 524 6024	09 18 524 5024			50,1	45,72	35,91	2,54 x 11 = 27,94
26	09 18 526 7024	09 18 526 6024	09 18 526 5024			52,6	48,26	37,85	2,54 x 12 = 30,48
30	09 18 530 7024	09 18 530 6024	09 18 530 5024			58,0	53,34	43,83	2,54 x 14 = 35,56
34	09 18 534 7024	09 18 534 6024	09 18 534 5024			62,8	58,42	48,01	2,54 x 16 = 40,64
40	09 18 540 7024	09 18 540 6024	09 18 540 5024			70,4	66,04	55,63	2,54 x 19 = 48,26
50	09 18 550 7024	09 18 550 6024	09 18 550 5024			83,1	78,74	68,33	2,54 x 24 = 60,96
60	09 18 560 7024	09 18 560 6024	09 18 560 5024			95,8	91,44	81,03	2,54 x 29 = 73,66
64	09 18 564 7024	09 18 564 6024	09 18 564 5024			100,9	96,52	86,11	2,54 x 31 = 78,74
06	09 19 506 7024	09 19 506 6024	09 19 506 5024			wave & reflow soldering	beige	27,2	22,86
10	09 19 510 7024	09 19 510 6024	09 19 510 5024	32,3	27,94			17,53	2,54 x 4 = 10,16
14	09 19 514 7024	09 19 514 6024	09 19 514 5024	37,4	33,02			22,61	2,54 x 6 = 15,24
16	09 19 516 7024	09 19 516 6024	09 19 516 5024	39,9	35,56			25,15	2,54 x 7 = 17,78
20	09 19 520 7024	09 19 520 6024	09 19 520 5024	45,0	40,64			30,23	2,54 x 9 = 22,86
24	09 19 524 7024	09 19 524 6024	09 19 524 5024	50,1	45,72			35,91	2,54 x 11 = 27,94
26	09 19 526 7024	09 19 526 6024	09 19 526 5024	52,6	48,26			37,85	2,54 x 12 = 30,48
30	09 19 530 7024	09 19 530 6024	09 19 530 5024	58,0	53,34			43,83	2,54 x 14 = 35,56
34	09 19 534 7024	09 19 534 6024	09 19 534 5024	62,8	58,42			48,01	2,54 x 16 = 40,64
40	09 19 540 7024	09 19 540 6024	09 19 540 5024	70,4	66,04			55,63	2,54 x 19 = 48,26
50	09 19 550 7024	09 19 550 6024	09 19 550 5024	83,1	78,74			68,33	2,54 x 24 = 60,96
60	09 19 560 7024	09 19 560 6024	09 19 560 5024	95,8	91,44			81,03	2,54 x 29 = 73,66
64	09 19 564 7024	09 19 564 6024	09 19 564 5024	100,9	96,52			86,11	2,54 x 31 = 78,74

	All rights reserved	Created by	Inspected by	Standardisation	Date	State	
	Department EC PD - DE	STORCK	TADJE	KOHLER	2015-12-21	Final Release	
HARTING Electronics GmbH D-32339 Espelkamp		Title SEK 18/19 male STD straight kinked w/o lever 2.9				Doc-Key / ECM-Nr. 100154464/UGD/044/A 50000094644	
		Type	Number		Rev.	Page	
		TB	091X5XXX024		A	2/2	

X-ON Electronics

Largest Supplier of Electrical and Electronic Components

Click to view similar products for [Headers & Wire Housings](#) category:

Click to view products by [HARTING](#) manufacturer:

Other Similar products are found below :

[95000-104TRLF](#) [10135584-644402LF](#) [DF62W-EP2022PCA](#) [95000-106TRLF](#) [DF62W-2022SCA](#) [DF62W-EP2022PC](#) [2203348](#) [DF62W-2022SC](#) [1084018](#) [1029039](#) [1084017](#) [802-10-012-10-002000](#) [1112640](#) [1112639](#) [891-007-9SS-BST1T](#) [000-34000](#) [0008550134](#) [0009482033](#) [0009507031](#) [57102-F02-18ULF](#) [57102-S06-03LF](#) [57202-S52-04LF](#) [PCN6-15S-2.5E](#) [0039019024](#) [58102-G61-06LF](#) [582553-1](#) [0009485154](#) [0009508121](#) [0022285053](#) [0050291907](#) [018731A](#) [LY20-4P-DT1-P1E-BR](#) [02.125.8002.8](#) [60101931](#) [60598-1 \(Cut Strip\)](#) [M1625-3R/100](#) [61062-3](#) [61082-181009](#) [CSU011177004](#) [636-1427](#) [638009-1](#) [641938-9](#) [641991-4](#) [644168-1](#) [644827-2](#) [647662-1](#) [65039-019ELF](#) [65692-001LF](#) [65781-018](#) [65781-047](#)