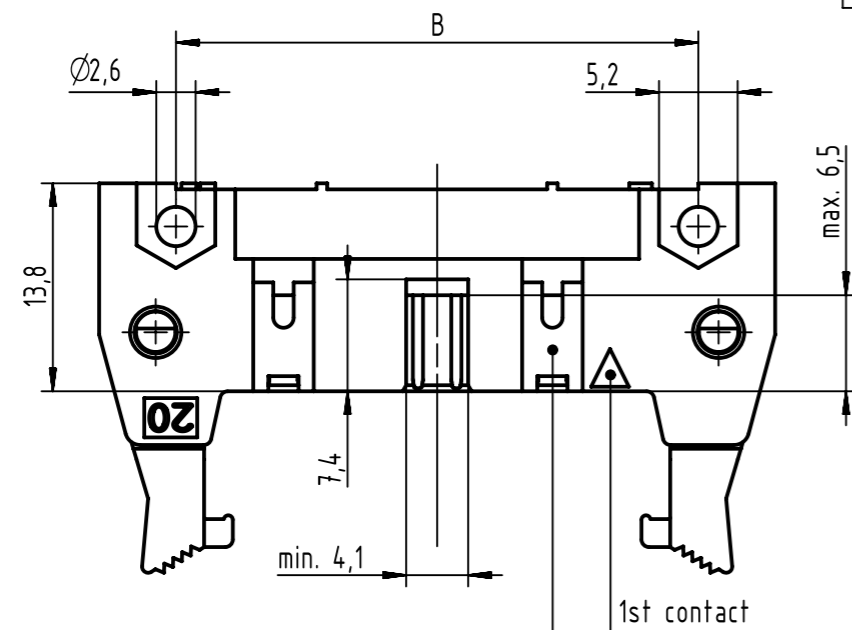
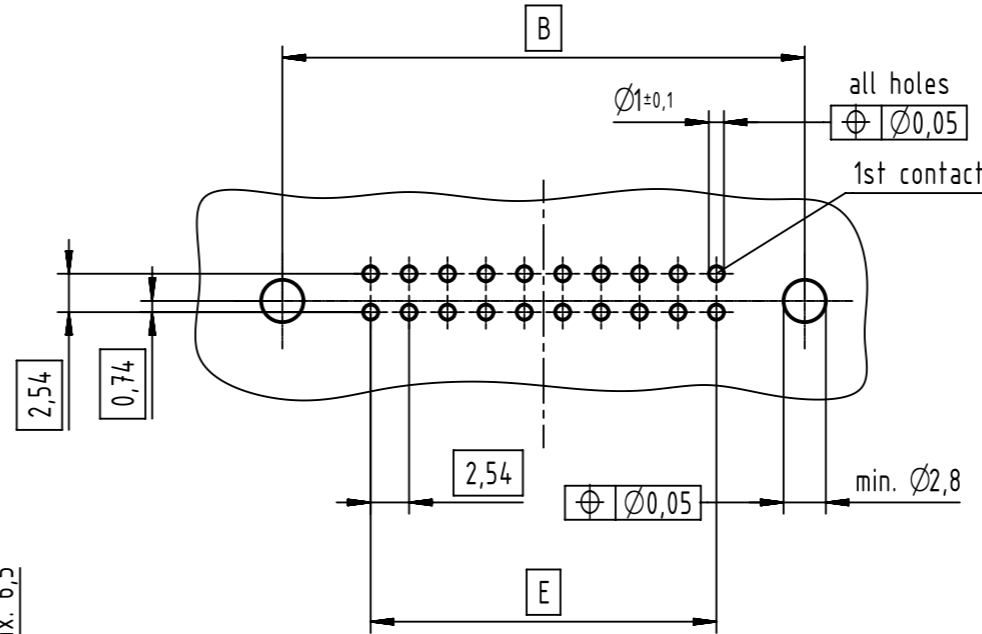
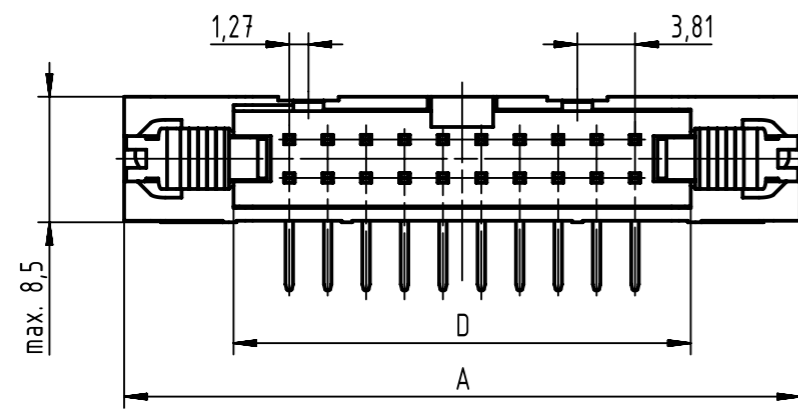
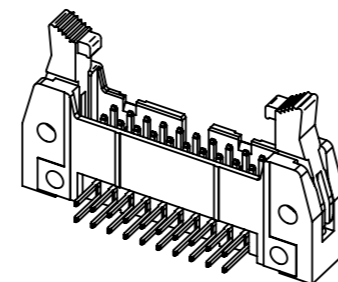


PCB layout
view component side
thickness up to 3,2



see table for coding,
feature arrangement and style




coding style table	
	style A: for connectors 6-pole
	style B: for connectors from 10 to 14-pole
	style C: for connectors from 16 to 64-pole

further information
see: DS 09181200001

full range of P/N's and
dimensions shown on page 2/2

	All Dimensions in mm Original Size DIN A3	Scale 2:1	Free size tol. IEC 60603-13	Ref. Sub. TB 09185XXX901 / 500000087654 / 2015-04-08
	All rights reserved Department EC PD - DE	Created by STORCK	Inspected by TADJE	Standardisation KOHLER
HARTING Electronics GmbH D-32339 Espelkamp		Title SEK 18 male standard conn angled with long lever 4.5	Date 2015-12-21	State Final Release
Type TB	Number 09185XXX901	Doc-Key / ECM-Nr. 100154464/UGD/013/A 50000094595		Rev. A Page 1/2

no. of contacts	performance level			insulator colour	dimensions				
	PL3	PL2	S4		A max.	B	D	E	G
	part number	part number	part number						
06	09 18 506 7901	09 18 506 6901	09 18 506 5901	grey	27,2	16,76	12,45	2,54 x 2 = 5,08	40,3
10	09 18 510 7901	09 18 510 6901	09 18 510 5901		32,3	21,84	17,53	2,54 x 4 = 10,16	45,4
14	09 18 514 7901	09 18 514 6901	09 18 514 5901		37,4	26,92	22,61	2,54 x 6 = 15,24	50,4
16	09 18 516 7901	09 18 516 6901	09 18 516 5901		39,9	29,46	25,15	2,54 x 7 = 17,78	53,0
20	09 18 520 7901	09 18 520 6901	09 18 520 5901		45,0	34,54	30,23	2,54 x 9 = 22,86	58,1
24	09 18 524 7901	09 18 524 6901	09 18 524 5901		50,1	39,62	35,91	2,54 x 11 = 27,94	63,2
26	09 18 526 7901	09 18 526 6901	09 18 526 5901		52,6	42,16	37,85	2,54 x 12 = 30,48	65,7
30	09 18 530 7901	09 18 530 6901	09 18 530 5901		58,0	47,24	43,83	2,54 x 14 = 35,56	68,6
34	09 18 534 7901	09 18 534 6901	09 18 534 5901		62,8	52,32	48,01	2,54 x 16 = 40,64	75,8
40	09 18 540 7901	09 18 540 6901	09 18 540 5901		70,4	59,94	55,63	2,54 x 19 = 48,26	83,5
50	09 18 550 7901	09 18 550 6901	09 18 550 5901		83,1	72,64	68,33	2,54 x 24 = 60,96	96,2
60	09 18 560 7901	09 18 560 6901	09 18 560 5901		95,8	85,34	81,03	2,54 x 29 = 73,66	108,9
64	09 18 564 7901	09 18 564 6901	09 18 564 5901		100,9	90,42	86,11	2,54 x 31 = 78,74	113,9
06	09 18 506 7901 001	09 18 506 6901 001	09 18 506 5901 001		black	27,2	16,76	12,45	2,54 x 2 = 5,08
10	09 18 510 7901 001	09 18 510 6901 001	09 18 510 5901 001	32,3		21,84	17,53	2,54 x 4 = 10,16	45,4
14	09 18 514 7901 001	09 18 514 6901 001	09 18 514 5901 001	37,4		26,92	22,61	2,54 x 6 = 15,24	50,4
16	09 18 516 7901 001	09 18 516 6901 001	09 18 516 5901 001	39,9		29,46	25,15	2,54 x 7 = 17,78	53,0
20	09 18 520 7901 001	09 18 520 6901 001	09 18 520 5901 001	45,0		34,54	30,23	2,54 x 9 = 22,86	58,1
24	09 18 524 7901 001	09 18 524 6901 001	09 18 524 5901 001	50,1		39,62	35,91	2,54 x 11 = 27,94	63,2
26	09 18 526 7901 001	09 18 526 6901 001	09 18 526 5901 001	52,6		42,16	37,85	2,54 x 12 = 30,48	65,7
30	09 18 530 7901 001	09 18 530 6901 001	09 18 530 5901 001	58,0		47,24	43,83	2,54 x 14 = 35,56	68,6
34	09 18 534 7901 001	09 18 534 6901 001	09 18 534 5901 001	62,8		52,32	48,01	2,54 x 16 = 40,64	75,8
40	09 18 540 7901 001	09 18 540 6901 001	09 18 540 5901 001	70,4		59,94	55,63	2,54 x 19 = 48,26	83,5
50	09 18 550 7901 001	09 18 550 6901 001	09 18 550 5901 001	83,1		72,64	68,33	2,54 x 24 = 60,96	96,2
60	09 18 560 7901 001	09 18 560 6901 001	09 18 560 5901 001	95,8		85,34	81,03	2,54 x 29 = 73,66	108,9
64	09 18 564 7901 001	09 18 564 6901 001	09 18 564 5901 001	100,9		90,42	86,11	2,54 x 31 = 78,74	113,9

	All rights reserved	Created by STORCK	Inspected by TADJE	Standardisation KOHLER	Date 2015-12-21	State Final Release
	Department EC PD - DE	Title SEK 18 male standard conn angled with long lever 4.5				Doc-Key / ECM-Nr. 100154464/UGD/013/A 50000094595
HARTING Electronics GmbH D-32339 Espelkamp		Type TB	Number 09185XXX901		Rev. A	Page 2/2

X-ON Electronics

Largest Supplier of Electrical and Electronic Components

Click to view similar products for [Headers & Wire Housings](#) category:

Click to view products by [HARTING](#) manufacturer:

Other Similar products are found below :

[95000-104TRLF](#) [10135584-644402LF](#) [DF62W-EP2022PCA](#) [95000-106TRLF](#) [DF62W-2022SCA](#) [DF62W-EP2022PC](#) [2203348](#) [DF62W-2022SC](#) [1084018](#) [1029039](#) [1084017](#) [802-10-012-10-002000](#) [1112640](#) [1112639](#) [891-007-9SS-BST1T](#) [000-34000](#) [0008550134](#) [0009482033](#) [0009507031](#) [57102-F02-18ULF](#) [57102-S06-03LF](#) [57202-S52-04LF](#) [PCN6-15S-2.5E](#) [0039019024](#) [58102-G61-06LF](#) [582553-1](#) [0009485154](#) [0009508121](#) [0022285053](#) [0050291907](#) [018731A](#) [LY20-4P-DT1-P1E-BR](#) [02.125.8002.8](#) [60101931](#) [60598-1 \(Cut Strip\)](#) [M1625-3R/100](#) [61062-3](#) [61082-181009](#) [CSU011177004](#) [636-1427](#) [638009-1](#) [641938-9](#) [641991-4](#) [644168-1](#) [644827-2](#) [647662-1](#) [65039-019ELF](#) [65692-001LF](#) [65781-018](#) [65781-047](#)