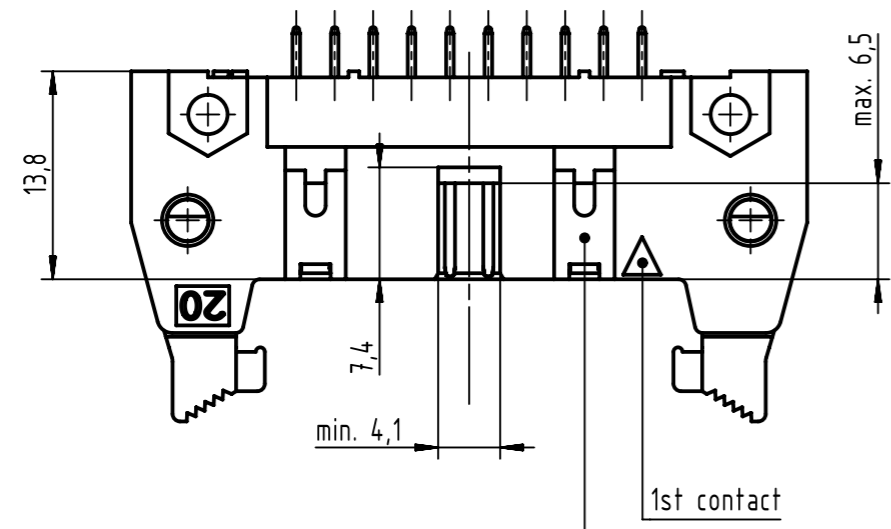
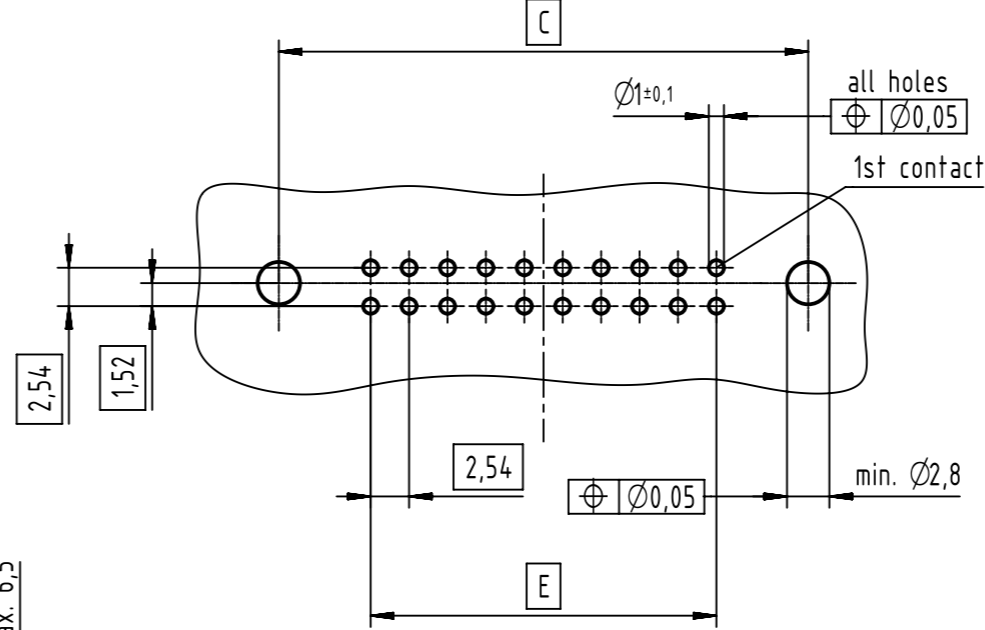
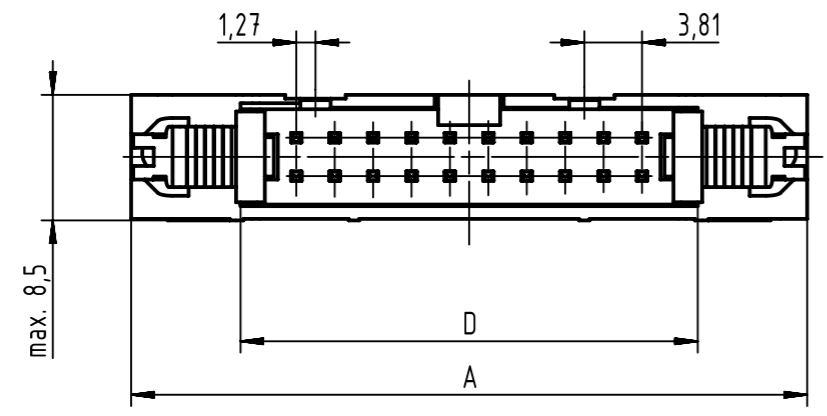
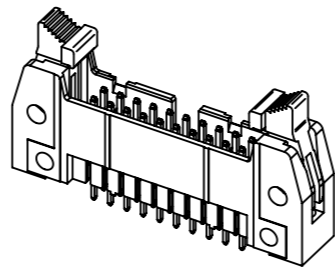


PCB layout  
view component side  
thickness 1,6



see table for coding,  
feature arrangement and style




coding style table	
	style A: for connectors 6-pole
	style B: for connectors from 10 to 14-pole
	style C: for connectors from 16 to 64-pole

further information  
see: DS 09181200001  
full range of P/N's and  
dimensions shown on page 2/2

	All rights reserved Department EC PD - DE	Created by STORCK	Inspected by TADJE	Standardisation KOHLER	Date 2015-12-21	State Final Release	Ref. Sub. TB 09185XXX914/914800 / 500000087654 / 2015-04-08
	HARTING Electronics GmbH D-32339 Espelkamp	Title SEK 18 male standard conn straight with short lever 2.9		Type TB	Number 09185XXX914	Doc-Key / ECM-Nr. 100154464/UGD/023/A 50000094595	Rev. A Page 1/2

1	2		3		4		5		6		7		8		
A	performance level				insulator colour	dimensions					A				
	no. of contacts	PL3	PL2	S4		A max.	C	D	E	F		B			
		part number	part number	part number									C		
	06	09 18 506 7914	09 18 506 6914	09 18 506 5914	grey	27,2	22,86	12,45	2,54 x 2 = 5,08	36,9					
	10	09 18 510 7914	09 18 510 6914	09 18 510 5914		32,3	27,94	17,53	2,54 x 4 = 10,16	42,0					
	14	09 18 514 7914	09 18 514 6914	09 18 514 5914		37,4	33,02	22,61	2,54 x 6 = 15,24	47,1					
	16	09 18 516 7914	09 18 516 6914	09 18 516 5914		39,9	35,56	25,15	2,54 x 7 = 17,78	49,6					
	20	09 18 520 7914	09 18 520 6914	09 18 520 5914		45,0	40,64	30,23	2,54 x 9 = 22,86	54,7					
	24	09 18 524 7914	09 18 524 6914	09 18 524 5914		50,1	45,72	35,91	2,54 x 11 = 27,94	59,8					
	26	09 18 526 7914	09 18 526 6914	09 18 526 5914		52,6	48,26	37,85	2,54 x 12 = 30,48	62,3					
	30	09 18 530 7914	09 18 530 6914	09 18 530 5914		58,0	53,34	43,83	2,54 x 14 = 35,56	68,2					
	34	09 18 534 7914	09 18 534 6914	09 18 534 5914		62,8	58,42	48,01	2,54 x 16 = 40,64	72,5					
	40	09 18 540 7914	09 18 540 6914	09 18 540 5914		70,4	66,04	55,63	2,54 x 19 = 48,26	80,1					
	50	09 18 550 7914	09 18 550 6914	09 18 550 5914		83,1	78,74	68,33	2,54 x 24 = 60,96	92,8					
	60	09 18 560 7914	09 18 560 6914	09 18 560 5914		95,8	91,44	81,03	2,54 x 29 = 73,66	105,5					
	64	09 18 564 7914	09 18 564 6914	09 18 564 5914		100,9	96,52	86,11	2,54 x 31 = 78,74	110,6					
	06	09 18 506 7914 001	09 18 506 6914 001	09 18 506 5914 001		black	27,2	22,86	12,45	2,54 x 2 = 5,08	36,9				
	10	09 18 510 7914 001	09 18 510 6914 001	09 18 510 5914 001	32,3		27,94	17,53	2,54 x 4 = 10,16	42,0					
	14	09 18 514 7914 001	09 18 514 6914 001	09 18 514 5914 001	37,4		33,02	22,61	2,54 x 6 = 15,24	47,1					
	16	09 18 516 7914 001	09 18 516 6914 001	09 18 516 5914 001	39,9		35,56	25,15	2,54 x 7 = 17,78	49,6					
	20	09 18 520 7914 001	09 18 520 6914 001	09 18 520 5914 001	45,0		40,64	30,23	2,54 x 9 = 22,86	54,7					
	24	09 18 524 7914 001	09 18 524 6914 001	09 18 524 5914 001	50,1		45,72	35,91	2,54 x 11 = 27,94	59,8					
	26	09 18 526 7914 001	09 18 526 6914 001	09 18 526 5914 001	52,6		48,26	37,85	2,54 x 12 = 30,48	62,3					
	30	09 18 530 7914 001	09 18 530 6914 001	09 18 530 5914 001	58,0		53,34	43,83	2,54 x 14 = 35,56	68,2					
	34	09 18 534 7914 001	09 18 534 6914 001	09 18 534 5914 001	62,8		58,42	48,01	2,54 x 16 = 40,64	72,5					
	40	09 18 540 7914 001	09 18 540 6914 001	09 18 540 5914 001	70,4		66,04	55,63	2,54 x 19 = 48,26	80,1					
	50	09 18 550 7914 001	09 18 550 6914 001	09 18 550 5914 001	83,1		78,74	68,33	2,54 x 24 = 60,96	92,8					
	60	09 18 560 7914 001	09 18 560 6914 001	09 18 560 5914 001	95,8		91,44	81,03	2,54 x 29 = 73,66	105,5					
	64	09 18 564 7914 001	09 18 564 6914 001	09 18 564 5914 001	100,9		96,52	86,11	2,54 x 31 = 78,74	110,6					
	06	09 18 506 7914 800	09 18 506 6914 800	09 18 506 5914 800	grey without printing		27,2	22,86	12,45	2,54 x 2 = 5,08	36,9				
	10	09 18 510 7914 800	09 18 510 6914 800	09 18 510 5914 800		32,3	27,94	17,53	2,54 x 4 = 10,16	42,0					
	14	09 18 514 7914 800	09 18 514 6914 800	09 18 514 5914 800		37,4	33,02	22,61	2,54 x 6 = 15,24	47,1					
	16	09 18 516 7914 800	09 18 516 6914 800	09 18 516 5914 800		39,9	35,56	25,15	2,54 x 7 = 17,78	49,6					
	20	09 18 520 7914 800	09 18 520 6914 800	09 18 520 5914 800		45,0	40,64	30,23	2,54 x 9 = 22,86	54,7					
	24	09 18 524 7914 800	09 18 524 6914 800	09 18 524 5914 800		50,1	45,72	35,91	2,54 x 11 = 27,94	59,8					
	26	09 18 526 7914 800	09 18 526 6914 800	09 18 526 5914 800		52,6	48,26	37,85	2,54 x 12 = 30,48	62,3					
	30	09 18 530 7914 800	09 18 530 6914 800	09 18 530 5914 800		58,0	53,34	43,83	2,54 x 14 = 35,56	68,2					
	34	09 18 534 7914 800	09 18 534 6914 800	09 18 534 5914 800		62,8	58,42	48,01	2,54 x 16 = 40,64	72,5					
	40	09 18 540 7914 800	09 18 540 6914 800	09 18 540 5914 800		70,4	66,04	55,63	2,54 x 19 = 48,26	80,1					
	50	09 18 550 7914 800	09 18 550 6914 800	09 18 550 5914 800		83,1	78,74	68,33	2,54 x 24 = 60,96	92,8					
	60	09 18 560 7914 800	09 18 560 6914 800	09 18 560 5914 800		95,8	91,44	81,03	2,54 x 29 = 73,66	105,5					
	64	09 18 564 7914 800	09 18 564 6914 800	09 18 564 5914 800		100,9	96,52	86,11	2,54 x 31 = 78,74	110,6					

	All rights reserved Department EC PD - DE	Created by STORCK	Inspected by TADJE	Standardisation KOHLER	Date 2015-12-21	State Final Release	Ref. Sub. TB 09185XXX914/914800 / 500000087654 / 2015-04-08
HARTING Electronics GmbH D-32339 Espelkamp		Title SEK 18 male standard conn straight with short lever 2.9			Doc-Key / ECM-Nr. 100154464/UGD/023/A 50000094595		Rev. A
		Type TB	Number 09185XXX914		Page 2/2		

## X-ON Electronics

Largest Supplier of Electrical and Electronic Components

*Click to view similar products for [DIN 41612 Connectors](#) category:*

*Click to view products by [HARTING](#) manufacturer:*

Other Similar products are found below :

[09231126901](#) [PCN10F-24P-2.54DS\(72\)](#) [004.767](#) [02221602702](#) [024069](#) [602427301412000](#) [013275](#) [691327-1](#) [74670-0732](#) [74680-0340](#)  
[75880-0015](#) [76453-0014](#) [86093159ALF](#) [923454](#) [QLC260R](#) [120X10099X](#) [120X10019X](#) [120X10089X](#) [120X10129X](#) [121A10039X](#)  
[121A10309X](#) [122A10019X](#) [122A10029X](#) [122A10249X](#) [122A10669X](#) [122A11089X](#) [122A13089X](#) [121B10409X](#) [122A10089X](#)  
[122A10129X](#) [122A10349X](#) [122A13359X](#) [1377391-4](#) [DIN-048CPC-SR1-MH](#) [1393583-2](#) [1393726-7](#) [140X10059X](#) [140X10129X](#) [143-1913-](#)  
[000](#) [143-1908-000](#) [1484472-1](#) [173052](#) [2110070-1](#) [2110070-2](#) [CBC20T00-008FDS5-0-1-002VR](#) [983-0SE12-12P6](#) [17041102202](#) [172699-](#)  
[5036](#) [173051](#) [20](#) [8457096](#) [010](#) [025](#)