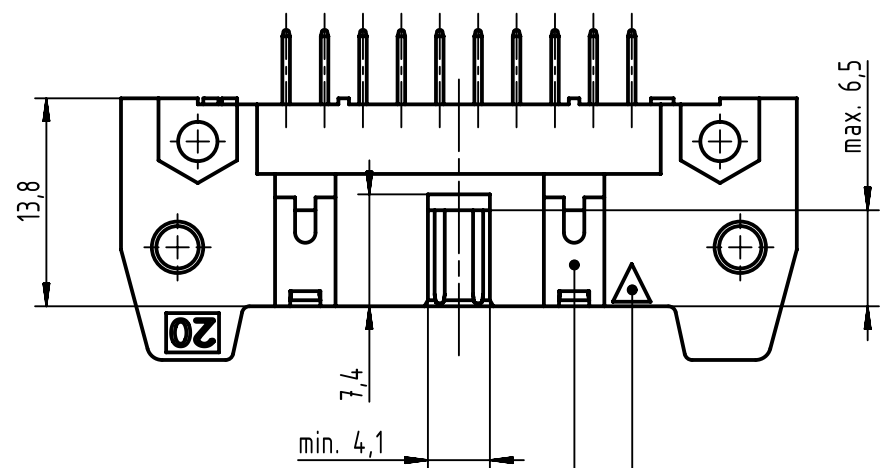
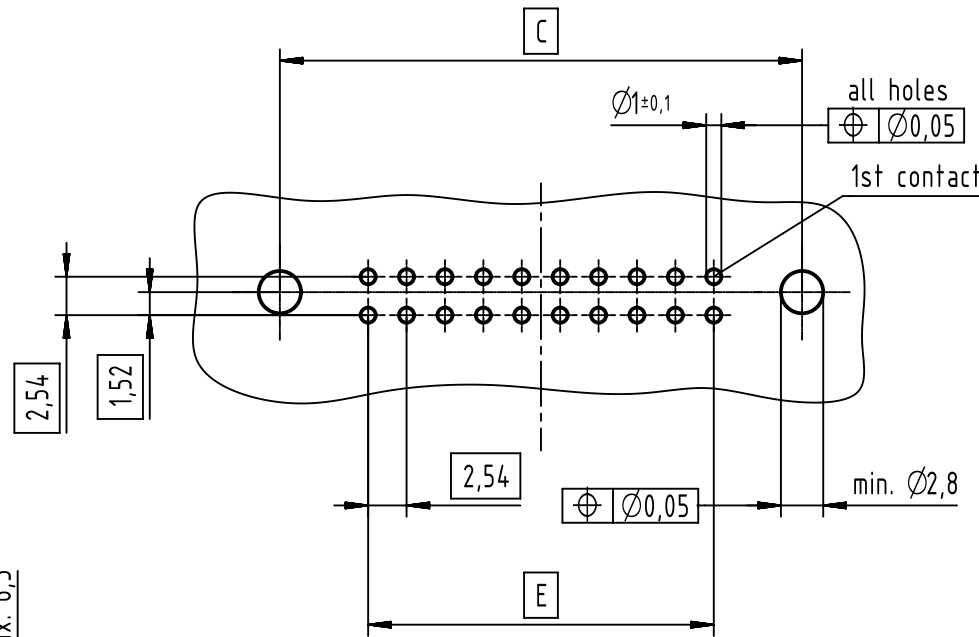
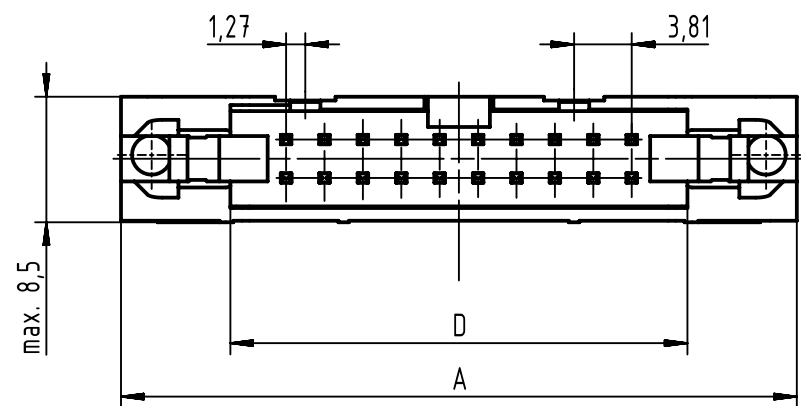
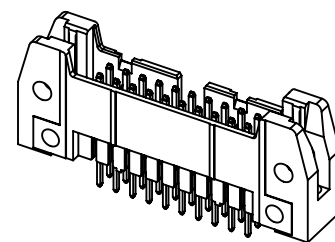


PCB layout
view component side
thickness up to 3,2



1st contact

see table for coding,
feature arrangement and style



coding style table


	style A: for connectors 6-pole
	style B: for connectors from 10 to 14-pole
	style C: for connectors from 16 to 64-pole

further information
see: DS 09181200001

full range of P/N's and
dimensions shown on page 2/2

	All Dimensions in mm Original Size DIN A3	Scale 2:1	Free size tol. IEC 60603-13	Ref. Sub. TB 09185XXX922 / 500000087654 / 2015-04-08
	All rights reserved Department EC PD - DE	Created by STORCK	Inspected by TADJE	Standardisation KOHLER
HARTING Electronics GmbH D-32339 Espelkamp	Title SEK 18 male standard conn straight w/o lever 4.5		Date 2015-12-21	State Final Release
	Type TB	Number 09185XXX922	Doc-Key / ECM-Nr. 100154464/UGD/025/A 50000094595	Rev. A Page 1/2

no. of contacts	performance level			insulator colour	dimensions			
	PL3	PL2	S4		A max.	C	D	E
	part number	part number	part number					
06	09 18 506 7922	09 18 506 6922	09 18 506 5922	grey	27,2	22,86	12,45	2,54 x 2 = 5,08
10	09 18 510 7922	09 18 510 6922	09 18 510 5922		32,3	27,94	17,53	2,54 x 4 = 10,16
14	09 18 514 7922	09 18 514 6922	09 18 514 5922		37,4	33,02	22,61	2,54 x 6 = 15,24
16	09 18 516 7922	09 18 516 6922	09 18 516 5922		39,9	35,56	25,15	2,54 x 7 = 17,78
20	09 18 520 7922	09 18 520 6922	09 18 520 5922		45,0	40,64	30,23	2,54 x 9 = 22,86
24	09 18 524 7922	09 18 524 6922	09 18 524 5922		50,1	45,72	35,91	2,54 x 11 = 27,94
26	09 18 526 7922	09 18 526 6922	09 18 526 5922		52,6	48,26	37,85	2,54 x 12 = 30,48
30	09 18 530 7922	09 18 530 6922	09 18 530 5922		58,0	53,34	43,83	2,54 x 14 = 35,56
34	09 18 534 7922	09 18 534 6922	09 18 534 5922		62,8	58,42	48,01	2,54 x 16 = 40,64
40	09 18 540 7922	09 18 540 6922	09 18 540 5922		70,4	66,04	55,63	2,54 x 19 = 48,26
50	09 18 550 7922	09 18 550 6922	09 18 550 5922		83,1	78,74	68,33	2,54 x 24 = 60,96
60	09 18 560 7922	09 18 560 6922	09 18 560 5922		95,8	91,44	81,03	2,54 x 29 = 73,66
64	09 18 564 7922	09 18 564 6922	09 18 564 5922		100,9	96,52	86,11	2,54 x 31 = 78,74
06	09 18 506 7922 001	09 18 506 6922 001	09 18 506 5922 001		black	27,2	22,86	12,45
10	09 18 510 7922 001	09 18 510 6922 001	09 18 510 5922 001	32,3		27,94	17,53	2,54 x 4 = 10,16
14	09 18 514 7922 001	09 18 514 6922 001	09 18 514 5922 001	37,4		33,02	22,61	2,54 x 6 = 15,24
16	09 18 516 7922 001	09 18 516 6922 001	09 18 516 5922 001	39,9		35,56	25,15	2,54 x 7 = 17,78
20	09 18 520 7922 001	09 18 520 6922 001	09 18 520 5922 001	45,0		40,64	30,23	2,54 x 9 = 22,86
24	09 18 524 7922 001	09 18 524 6922 001	09 18 524 5922 001	50,1		45,72	35,91	2,54 x 11 = 27,94
26	09 18 526 7922 001	09 18 526 6922 001	09 18 526 5922 001	52,6		48,26	37,85	2,54 x 12 = 30,48
30	09 18 530 7922 001	09 18 530 6922 001	09 18 530 5922 001	58,0		53,34	43,83	2,54 x 14 = 35,56
34	09 18 534 7922 001	09 18 534 6922 001	09 18 534 5922 001	62,8		58,42	48,01	2,54 x 16 = 40,64
40	09 18 540 7922 001	09 18 540 6922 001	09 18 540 5922 001	70,4		66,04	55,63	2,54 x 19 = 48,26
50	09 18 550 7922 001	09 18 550 6922 001	09 18 550 5922 001	83,1		78,74	68,33	2,54 x 24 = 60,96
60	09 18 560 7922 001	09 18 560 6922 001	09 18 560 5922 001	95,8		91,44	81,03	2,54 x 29 = 73,66
64	09 18 564 7922 001	09 18 564 6922 001	09 18 564 5922 001	100,9		96,52	86,11	2,54 x 31 = 78,74

	All Dimensions in mm Original Size DIN A3	Scale 1:1	Free size tol.		Ref. Sub. TB 09185XXX922 / 500000087654 / 2015-04-08	
	All rights reserved Department EC PD - DE	Created by STORCK	Inspected by TADJE	Standardisation KOHLER	Date 2015-12-21	State Final Release
HARTING Electronics GmbH D-32339 Espelkamp		Title SEK 18 male standard conn straight w/o lever 4.5			Doc-Key / ECM-Nr. 100154464/UGD/025/A 50000094595	
		Type TB	Number 09185XXX922		Rev. A	Page 2/2

X-ON Electronics

Largest Supplier of Electrical and Electronic Components

Click to view similar products for [Headers & Wire Housings](#) category:

Click to view products by [HARTING](#) manufacturer:

Other Similar products are found below :

[95000-104TRLF](#) [10135584-644402LF](#) [DF62W-EP2022PCA](#) [95000-106TRLF](#) [DF62W-2022SCA](#) [DF62W-EP2022PC](#) [2203348](#) [DF62W-2022SC](#) [1084018](#) [1029039](#) [1084017](#) [802-10-012-10-002000](#) [1112640](#) [1112639](#) [891-007-9SS-BST1T](#) [000-34000](#) [0008550134](#) [0009482033](#) [0009507031](#) [57102-F02-18ULF](#) [57102-S06-03LF](#) [57202-S52-04LF](#) [PCN6-15S-2.5E](#) [0039019024](#) [58102-G61-06LF](#) [582553-1](#) [0009485154](#) [0009508121](#) [0022285053](#) [0050291907](#) [018731A](#) [LY20-4P-DT1-P1E-BR](#) [02.125.8002.8](#) [60101931](#) [60598-1 \(Cut Strip\)](#) [M1625-3R/100](#) [61062-3](#) [61082-181009](#) [CSU011177004](#) [636-1427](#) [638009-1](#) [641938-9](#) [641991-4](#) [644168-1](#) [644827-2](#) [647662-1](#) [65039-019ELF](#) [65692-001LF](#) [65781-018](#) [65781-047](#)