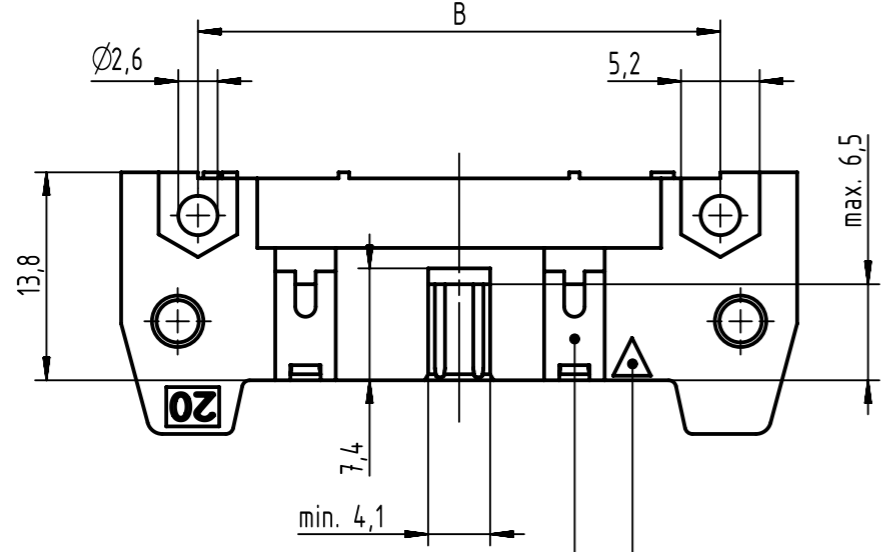
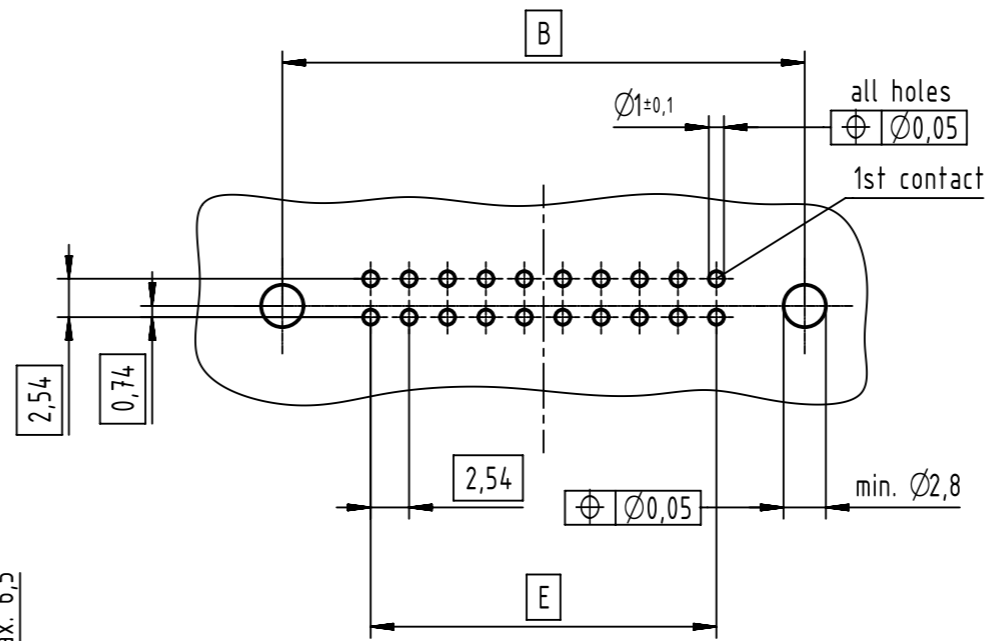
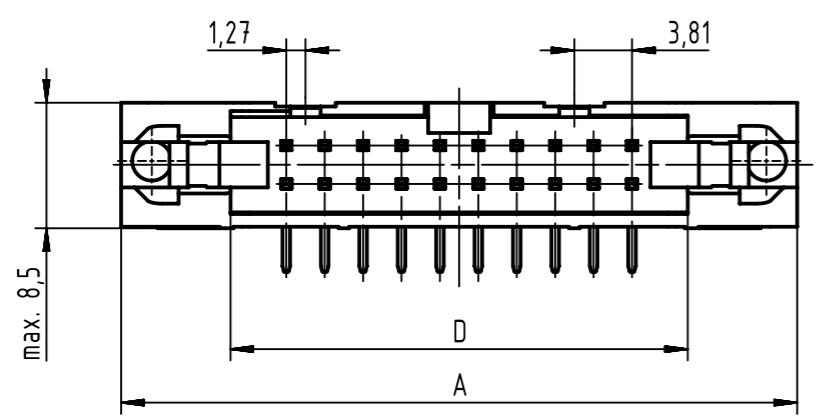


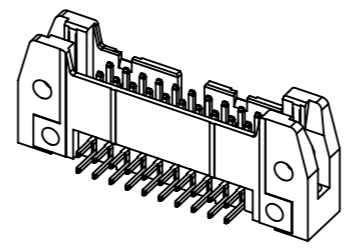
PCB layout
view component side
thickness 1,6



coding style table	
	style A: for connectors 6-pole
	style B: for connectors from 10 to 14-pole
	style C: for connectors from 16 to 64-pole

further information
see: DS 09181200001


full range of P/N's and
dimensions shown on page 2/2



see table for coding,
feature arrangement and style

	All Dimensions in mm Original Size DIN A3	Scale 2:1	Free size tol. IEC 60603-13	Ref. Sub. TB 09185XXX923 / 500000087654 / 2015-04-08	
	All rights reserved Department EC PD - DE	Created by STORCK	Inspected by TADJE	Standardisation KOHLER	Date 2015-12-21
HARTING Electronics GmbH D-32339 Espelkamp		Title SEK 18 male standard conn angled w/o lever 2.9			State Final Release
		Type TB	Number 09185XXX923		Doc-Key / ECM-Nr. 100154464/UGD/026/A 500000094595
					Rev. A Page 1/2

no. of contacts	performance level			insulator colour	dimensions			
	PL3	PL2	S4		A max.	B	D	E
	part number	part number	part number					
06	09 18 506 7923	09 18 506 6923	09 18 506 5923	grey	27,2	16,76	12,45	2,54 x 2 = 5,08
10	09 18 510 7923	09 18 510 6923	09 18 510 5923		32,3	21,84	17,53	2,54 x 4 = 10,16
14	09 18 514 7923	09 18 514 6923	09 18 514 5923		37,4	26,92	22,61	2,54 x 6 = 15,24
16	09 18 516 7923	09 18 516 6923	09 18 516 5923		39,9	29,46	25,15	2,54 x 7 = 17,78
20	09 18 520 7923	09 18 520 6923	09 18 520 5923		45,0	34,54	30,23	2,54 x 9 = 22,86
24	09 18 524 7923	09 18 524 6923	09 18 524 5923		50,1	39,62	35,91	2,54 x 11 = 27,94
26	09 18 526 7923	09 18 526 6923	09 18 526 5923		52,6	42,16	37,85	2,54 x 12 = 30,48
30	09 18 530 7923	09 18 530 6923	09 18 530 5923		58,0	47,24	43,83	2,54 x 14 = 35,56
34	09 18 534 7923	09 18 534 6923	09 18 534 5923		62,8	52,32	48,01	2,54 x 16 = 40,64
40	09 18 540 7923	09 18 540 6923	09 18 540 5923		70,4	59,94	55,63	2,54 x 19 = 48,26
50	09 18 550 7923	09 18 550 6923	09 18 550 5923		83,1	72,64	68,33	2,54 x 24 = 60,96
60	09 18 560 7923	09 18 560 6923	09 18 560 5923		95,8	85,34	81,03	2,54 x 29 = 73,66
64	09 18 564 7923	09 18 564 6923	09 18 564 5923		100,9	90,42	86,11	2,54 x 31 = 78,74
06	09 18 506 7923 001	09 18 506 6923 001	09 18 506 5923 001		black	27,2	16,76	12,45
10	09 18 510 7923 001	09 18 510 6923 001	09 18 510 5923 001	32,3		21,84	17,53	2,54 x 4 = 10,16
14	09 18 514 7923 001	09 18 514 6923 001	09 18 514 5923 001	37,4		26,92	22,61	2,54 x 6 = 15,24
16	09 18 516 7923 001	09 18 516 6923 001	09 18 516 5923 001	39,9		29,46	25,15	2,54 x 7 = 17,78
20	09 18 520 7923 001	09 18 520 6923 001	09 18 520 5923 001	45,0		34,54	30,23	2,54 x 9 = 22,86
24	09 18 524 7923 001	09 18 524 6923 001	09 18 524 5923 001	50,1		39,62	35,91	2,54 x 11 = 27,94
26	09 18 526 7923 001	09 18 526 6923 001	09 18 526 5923 001	52,6		42,16	37,85	2,54 x 12 = 30,48
30	09 18 530 7923 001	09 18 530 6923 001	09 18 530 5923 001	58,0		47,24	43,83	2,54 x 14 = 35,56
34	09 18 534 7923 001	09 18 534 6923 001	09 18 534 5923 001	62,8		52,32	48,01	2,54 x 16 = 40,64
40	09 18 540 7923 001	09 18 540 6923 001	09 18 540 5923 001	70,4		59,94	55,63	2,54 x 19 = 48,26
50	09 18 550 7923 001	09 18 550 6923 001	09 18 550 5923 001	83,1		72,64	68,33	2,54 x 24 = 60,96
60	09 18 560 7923 001	09 18 560 6923 001	09 18 560 5923 001	95,8		85,34	81,03	2,54 x 29 = 73,66
64	09 18 564 7923 001	09 18 564 6923 001	09 18 564 5923 001	100,9		90,42	86,11	2,54 x 31 = 78,74

	All rights reserved	Created by	Inspected by	Standardisation	Date	State	
	Department EC PD - DE	STORCK	TADJE	KOHLER	2015-12-21	Final Release	
HARTING Electronics GmbH D-32339 Espelkamp		Title SEK 18 male standard conn angled w/o lever 2.9				Doc-Key / ECM-Nr. 100154464/UGD/026/A 50000094595	
		Type TB	Number 09185XXX923			Rev. A	Page 2/2

X-ON Electronics

Largest Supplier of Electrical and Electronic Components

Click to view similar products for [Headers & Wire Housings](#) category:

Click to view products by [HARTING](#) manufacturer:

Other Similar products are found below :

[95000-104TRLF](#) [10135584-644402LF](#) [DF62W-EP2022PCA](#) [95000-106TRLF](#) [DF62W-2022SCA](#) [DF62W-EP2022PC](#) [2203348](#) [DF62W-2022SC](#) [1084018](#) [1029039](#) [1084017](#) [802-10-012-10-002000](#) [1112640](#) [1112639](#) [891-007-9SS-BST1T](#) [000-34000](#) [0008550134](#) [0009482033](#) [0009507031](#) [57102-F02-18ULF](#) [57102-S06-03LF](#) [57202-S52-04LF](#) [PCN6-15S-2.5E](#) [0039019024](#) [58102-G61-06LF](#) [582553-1](#) [0009485154](#) [0009508121](#) [0022285053](#) [0050291907](#) [018731A](#) [LY20-4P-DT1-P1E-BR](#) [02.125.8002.8](#) [60101931](#) [60598-1 \(Cut Strip\)](#) [M1625-3R/100](#) [61062-3](#) [61082-181009](#) [CSU011177004](#) [636-1427](#) [638009-1](#) [641938-9](#) [641991-4](#) [644168-1](#) [644827-2](#) [647662-1](#) [65039-019ELF](#) [65692-001LF](#) [65781-018](#) [65781-047](#)