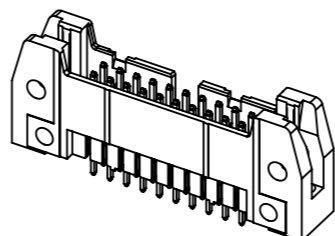
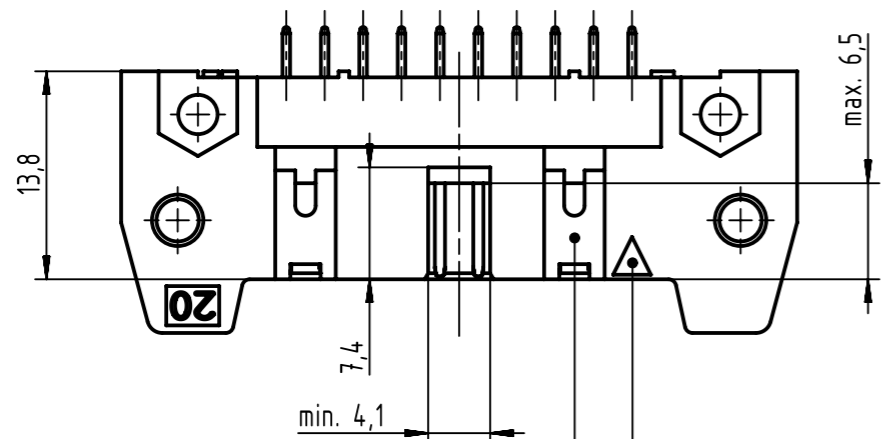
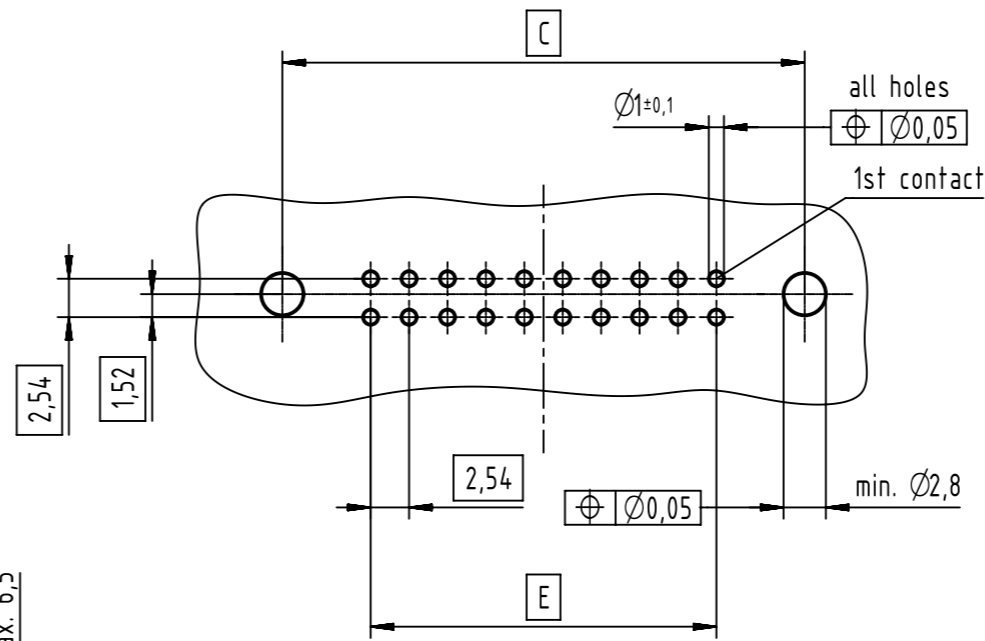
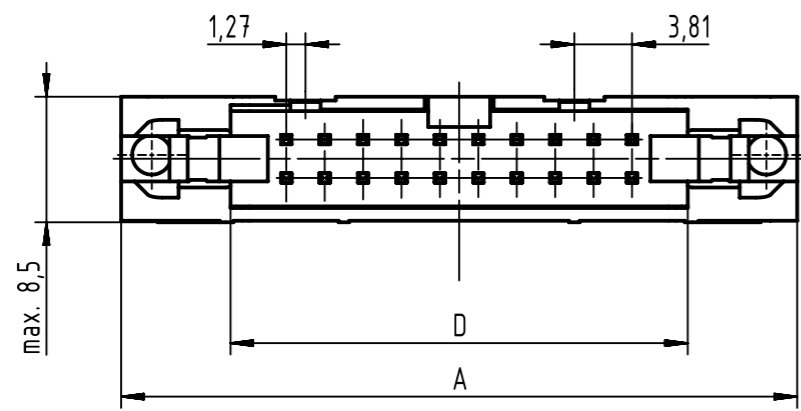


PCB layout
view component side
thickness 1,6




1st contact
see table for coding,
feature arrangement and style

coding style table	
	style A: for connectors 6-pole
	style B: for connectors from 10 to 14-pole
	style C: for connectors from 16 to 64-pole

further information
see: DS 09181200001
full range of P/N's and
dimensions shown on page 2/2

	All Dimensions in mm Original Size DIN A3	Scale 2:1	Free size tol. IEC 60603-13	Ref. Sub. TB 09185XXX924 / 500000087654 / 2015-04-08	
	All rights reserved Department EC PD - DE	Created by STORCK	Inspected by TADJE	Standardisation KOHLE	Date 2015-12-21
HARTING Electronics GmbH D-32339 Espelkamp		Title SEK 18 male standard conn straight w/o lever 2.9		State Final Release	
		Type TB	Number 09185XXX924	Doc-Key / ECM-Nr. 100154464/UGD/027/A 50000094595	Rev. A Page 1/2

no. of contacts	performance level			insulator colour	dimensions			
	PL3	PL2	S4		A max.	C	D	E
	part number	part number	part number					
06	09 18 506 7924	09 18 506 6924	09 18 506 5924	grey	27,2	22,86	12,45	2,54 x 2 = 5,08
10	09 18 510 7924	09 18 510 6924	09 18 510 5924		32,3	27,94	17,53	2,54 x 4 = 10,16
14	09 18 514 7924	09 18 514 6924	09 18 514 5924		37,4	33,02	22,61	2,54 x 6 = 15,24
16	09 18 516 7924	09 18 516 6924	09 18 516 5924		39,9	35,56	25,15	2,54 x 7 = 17,78
20	09 18 520 7924	09 18 520 6924	09 18 520 5924		45,0	40,64	30,23	2,54 x 9 = 22,86
24	09 18 524 7924	09 18 524 6924	09 18 524 5924		50,1	45,72	35,91	2,54 x 11 = 27,94
26	09 18 526 7924	09 18 526 6924	09 18 526 5924		52,6	48,26	37,85	2,54 x 12 = 30,48
30	09 18 530 7924	09 18 530 6924	09 18 530 5924		58,0	53,34	43,83	2,54 x 14 = 35,56
34	09 18 534 7924	09 18 534 6924	09 18 534 5924		62,8	58,42	48,01	2,54 x 16 = 40,64
40	09 18 540 7924	09 18 540 6924	09 18 540 5924		70,4	66,04	55,63	2,54 x 19 = 48,26
50	09 18 550 7924	09 18 550 6924	09 18 550 5924		83,1	78,74	68,33	2,54 x 24 = 60,96
60	09 18 560 7924	09 18 560 6924	09 18 560 5924		95,8	91,44	81,03	2,54 x 29 = 73,66
64	09 18 564 7924	09 18 564 6924	09 18 564 5924		100,9	96,52	86,11	2,54 x 31 = 78,74
06	09 18 506 7924 001	09 18 506 6924 001	09 18 506 5924 001		black	27,2	22,86	12,45
10	09 18 510 7924 001	09 18 510 6924 001	09 18 510 5924 001	32,3		27,94	17,53	2,54 x 4 = 10,16
14	09 18 514 7924 001	09 18 514 6924 001	09 18 514 5924 001	37,4		33,02	22,61	2,54 x 6 = 15,24
16	09 18 516 7924 001	09 18 516 6924 001	09 18 516 5924 001	39,9		35,56	25,15	2,54 x 7 = 17,78
20	09 18 520 7924 001	09 18 520 6924 001	09 18 520 5924 001	45,0		40,64	30,23	2,54 x 9 = 22,86
24	09 18 524 7924 001	09 18 524 6924 001	09 18 524 5924 001	50,1		45,72	35,91	2,54 x 11 = 27,94
26	09 18 526 7924 001	09 18 526 6924 001	09 18 526 5924 001	52,6		48,26	37,85	2,54 x 12 = 30,48
30	09 18 530 7924 001	09 18 530 6924 001	09 18 530 5924 001	58,0		53,34	43,83	2,54 x 14 = 35,56
34	09 18 534 7924 001	09 18 534 6924 001	09 18 534 5924 001	62,8		58,42	48,01	2,54 x 16 = 40,64
40	09 18 540 7924 001	09 18 540 6924 001	09 18 540 5924 001	70,4		66,04	55,63	2,54 x 19 = 48,26
50	09 18 550 7924 001	09 18 550 6924 001	09 18 550 5924 001	83,1		78,74	68,33	2,54 x 24 = 60,96
60	09 18 560 7924 001	09 18 560 6924 001	09 18 560 5924 001	95,8		91,44	81,03	2,54 x 29 = 73,66
64	09 18 564 7924 001	09 18 564 6924 001	09 18 564 5924 001	100,9		96,52	86,11	2,54 x 31 = 78,74

	All rights reserved	Created by	Inspected by	Standardisation	Date	State
	Department EC PD - DE	STORCK	TADJE	KOHLER	2015-12-21	Final Release
HARTING Electronics GmbH D-32339 Espelkamp		Title			Doc-Key / ECM-Nr.	
		SEK 18 male standard conn straight w/o lever 2.9			100154464/UGD/027/A 50000094595	
		Type	Number	Rev.		Page
		TB	09185XXX924	A		2/2

X-ON Electronics

Largest Supplier of Electrical and Electronic Components

Click to view similar products for [Headers & Wire Housings](#) category:

Click to view products by [HARTING](#) manufacturer:

Other Similar products are found below :

[95000-104TRLF](#) [10135584-644402LF](#) [DF62W-EP2022PCA](#) [95000-106TRLF](#) [DF62W-2022SCA](#) [DF62W-EP2022PC](#) [2203348](#) [DF62W-2022SC](#) [1084018](#) [1029039](#) [1084017](#) [802-10-012-10-002000](#) [1112640](#) [1112639](#) [891-007-9SS-BST1T](#) [000-34000](#) [0008550134](#) [0009482033](#) [0009507031](#) [57102-F02-18ULF](#) [57102-S06-03LF](#) [57202-S52-04LF](#) [PCN6-15S-2.5E](#) [0039019024](#) [58102-G61-06LF](#) [582553-1](#) [0009485154](#) [0009508121](#) [0022285053](#) [0050291907](#) [018731A](#) [LY20-4P-DT1-P1E-BR](#) [02.125.8002.8](#) [60101931](#) [60598-1 \(Cut Strip\)](#) [M1625-3R/100](#) [61062-3](#) [61082-181009](#) [CSU011177004](#) [636-1427](#) [638009-1](#) [641938-9](#) [641991-4](#) [644168-1](#) [644827-2](#) [647662-1](#) [65039-019ELF](#) [65692-001LF](#) [65781-018](#) [65781-047](#)