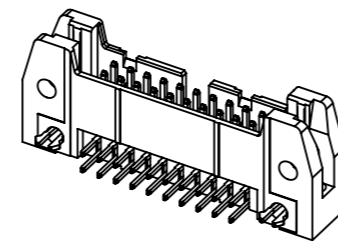
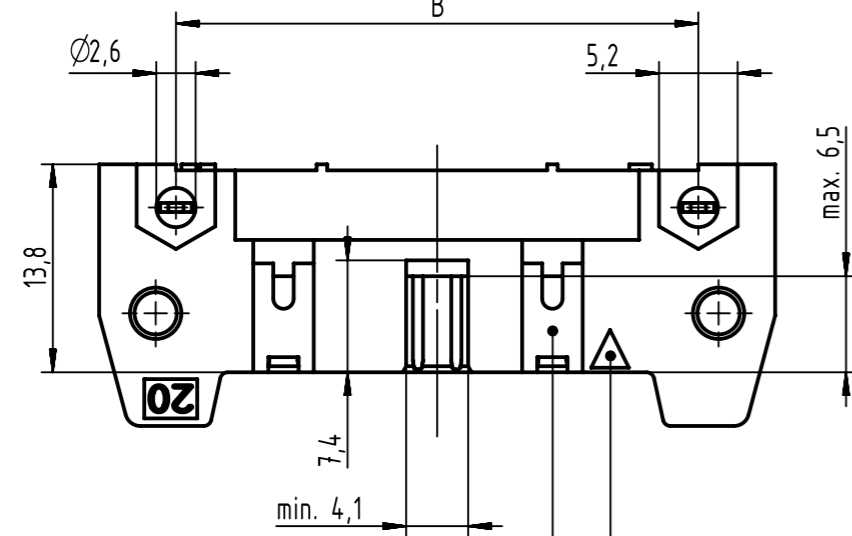
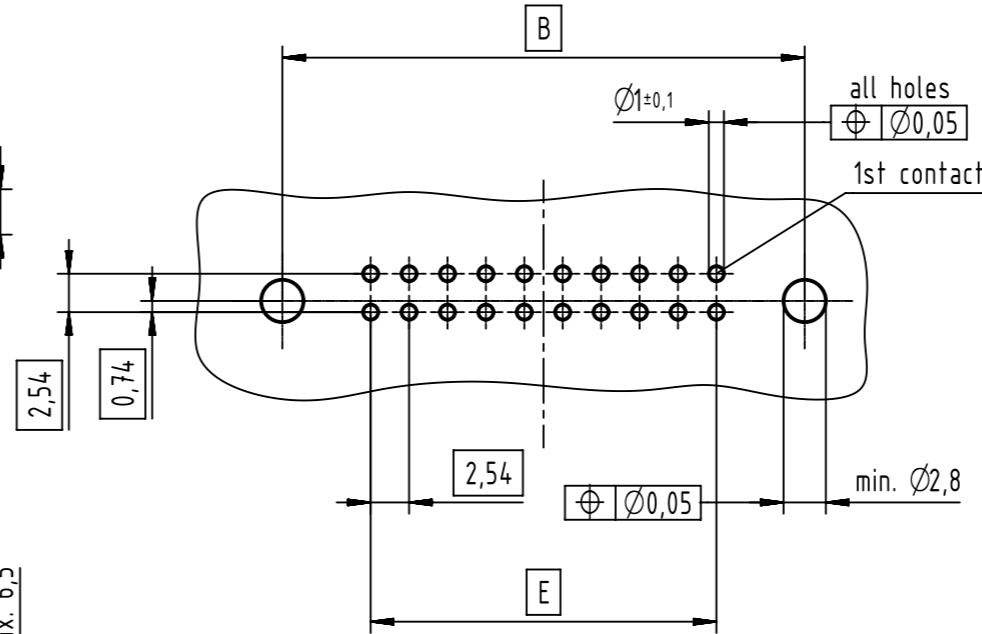
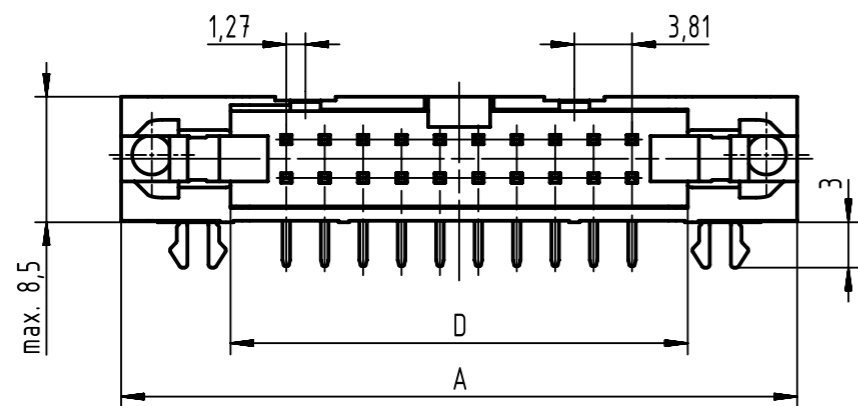
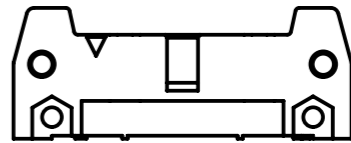
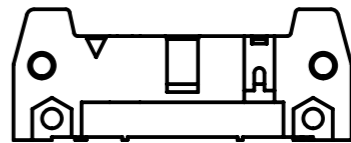
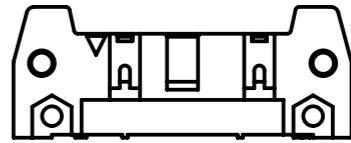


PCB layout
view component side
thickness up to 1,6

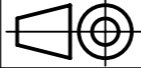



1st contact
see table for coding,
feature arrangement and style


coding style table	
	style A: for connectors 6-pole
	style B: for connectors from 10 to 14-pole
	style C: for connectors from 16 to 64-pole

further information see:
DS 09181200001 for 09185XXX973
DS 09191130201 for 09195XXX973

full range of P/N's and
dimensions shown on page 2/2

	All Dimensions in mm Original Size DIN A3	Scale 2:1	Free size tol. IEC 60603-13	Ref. Sub. TB 091X5XXX973 / 500000087654 / 2015-04-08	
	All rights reserved Department EC PD - DE	Created by STORCK	Inspected by TADJE	Standardisation KOHLER	Date 2015-12-21
HARTING Electronics GmbH D-32339 Espelkamp		Title SEK 18/19 male STD conn angled with clip w/o lever 2.9		State Final Release	
		Type TB	Number 091X5XXX973		Doc-Key / ECM-Nr. 100154464/UGD/046/A 50000094644
				Rev. A	Page 1/2

no. of contacts	performance level			solder process	insulator colour	dimensions			
	PL3	PL2	S4			A max.	B	D	E
	part number	part number	part number						
06	09 18 506 7973	09 18 506 6973	09 18 506 5973	wave soldering	grey	27,2	16,76	12,45	2,54 x 2 = 5,08
10	09 18 510 7973	09 18 510 6973	09 18 510 5973			32,3	21,84	17,53	2,54 x 4 = 10,16
14	09 18 514 7973	09 18 514 6973	09 18 514 5973			37,4	26,92	22,61	2,54 x 6 = 15,24
16	09 18 516 7973	09 18 516 6973	09 18 516 5973			39,9	29,46	25,15	2,54 x 7 = 17,78
20	09 18 520 7973	09 18 520 6973	09 18 520 5973			45,0	34,54	30,23	2,54 x 9 = 22,86
24	09 18 524 7973	09 18 524 6973	09 18 524 5973			50,1	39,62	35,91	2,54 x 11 = 27,94
26	09 18 526 7973	09 18 526 6973	09 18 526 5973			52,6	42,16	37,85	2,54 x 12 = 30,48
30	09 18 530 7973	09 18 530 6973	09 18 530 5973			58,0	47,24	43,83	2,54 x 14 = 35,56
34	09 18 534 7973	09 18 534 6973	09 18 534 5973			62,8	52,32	48,01	2,54 x 16 = 40,64
40	09 18 540 7973	09 18 540 6973	09 18 540 5973			70,4	59,94	55,63	2,54 x 19 = 48,26
50	09 18 550 7973	09 18 550 6973	09 18 550 5973			83,1	72,64	68,33	2,54 x 24 = 60,96
60	09 18 560 7973	09 18 560 6973	09 18 560 5973			95,8	85,34	81,03	2,54 x 29 = 73,66
64	09 18 564 7973	09 18 564 6973	09 18 564 5973			100,9	90,42	86,11	2,54 x 31 = 78,74
06	09 19 506 7973	09 19 506 6973	09 19 506 5973			wave & reflow soldering	beige	27,2	16,76
10	09 19 510 7973	09 19 510 6973	09 19 510 5973	32,3	21,84			17,53	2,54 x 4 = 10,16
14	09 19 514 7973	09 19 514 6973	09 19 514 5973	37,4	26,92			22,61	2,54 x 6 = 15,24
16	09 19 516 7973	09 19 516 6973	09 19 516 5973	39,9	29,46			25,15	2,54 x 7 = 17,78
20	09 19 520 7973	09 19 520 6973	09 19 520 5973	45,0	34,54			30,23	2,54 x 9 = 22,86
24	09 19 524 7973	09 19 524 6973	09 19 524 5973	50,1	39,62			35,91	2,54 x 11 = 27,94
26	09 19 526 7973	09 19 526 6973	09 19 526 5973	52,6	42,16			37,85	2,54 x 12 = 30,48
30	09 19 530 7973	09 19 530 6973	09 19 530 5973	58,0	47,24			43,83	2,54 x 14 = 35,56
34	09 19 534 7973	09 19 534 6973	09 19 534 5973	62,8	52,32			48,01	2,54 x 16 = 40,64
40	09 19 540 7973	09 19 540 6973	09 19 540 5973	70,4	59,94			55,63	2,54 x 19 = 48,26
50	09 19 550 7973	09 19 550 6973	09 19 550 5973	83,1	72,64			68,33	2,54 x 24 = 60,96
60	09 19 560 7973	09 19 560 6973	09 19 560 5973	95,8	85,34			81,03	2,54 x 29 = 73,66
64	09 19 564 7973	09 19 564 6973	09 19 564 5973	100,9	90,42			86,11	2,54 x 31 = 78,74

	All Dimensions in mm Original Size DIN A3	Scale 1:1	Free size tol.	Ref. Sub. TB 091X5XXX973 / 500000087654 / 2015-04-08	
	All rights reserved Department EC PD - DE	Created by STORCK	Inspected by TADJE	Standardisation KOHLER	Date 2015-12-21
HARTING Electronics GmbH D-32339 Espelkamp		Title SEK 18/19 male STD conn angled with clip w/o lever 2.9			Doc-Key / ECM-Nr. 100154464/UGD/046/A 500000094644
		Type TB	Number 091X5XXX973	Rev. A	Page 2/2

X-ON Electronics

Largest Supplier of Electrical and Electronic Components

Click to view similar products for [Headers & Wire Housings](#) category:

Click to view products by [HARTING](#) manufacturer:

Other Similar products are found below :

[95000-104TRLF](#) [10135584-644402LF](#) [DF62W-EP2022PCA](#) [95000-106TRLF](#) [DF62W-2022SCA](#) [DF62W-EP2022PC](#) [2203348](#) [DF62W-2022SC](#) [1084018](#) [1029039](#) [1084017](#) [802-10-012-10-002000](#) [1112640](#) [1112639](#) [891-007-9SS-BST1T](#) [000-34000](#) [0008550134](#) [0009482033](#) [0009507031](#) [57102-F02-18ULF](#) [57102-S06-03LF](#) [57202-S52-04LF](#) [PCN6-15S-2.5E](#) [0039019024](#) [58102-G61-06LF](#) [582553-1](#) [0009485154](#) [0009508121](#) [0022285053](#) [0050291907](#) [018731A](#) [LY20-4P-DT1-P1E-BR](#) [02.125.8002.8](#) [60101931](#) [60598-1 \(Cut Strip\)](#) [M1625-3R/100](#) [61062-3](#) [61082-181009](#) [CSU011177004](#) [636-1427](#) [638009-1](#) [641938-9](#) [641991-4](#) [644168-1](#) [644827-2](#) [647662-1](#) [65039-019ELF](#) [65692-001LF](#) [65781-018](#) [65781-047](#)