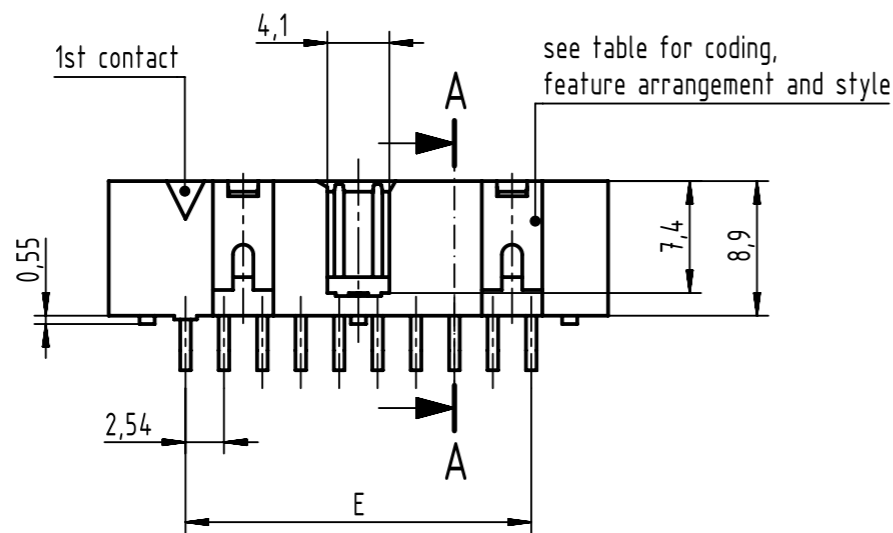
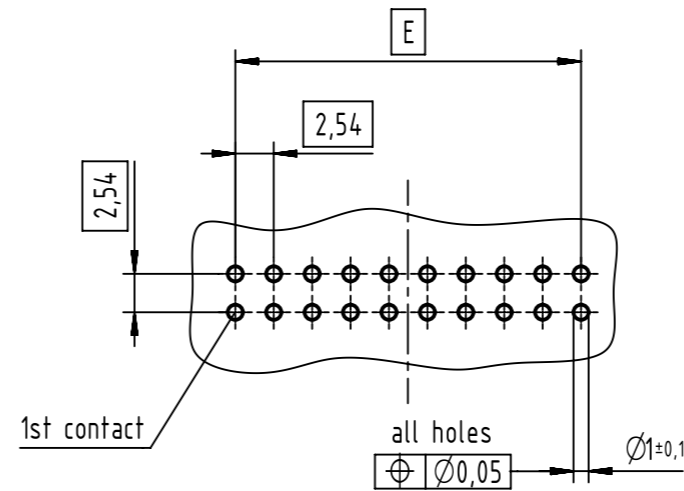
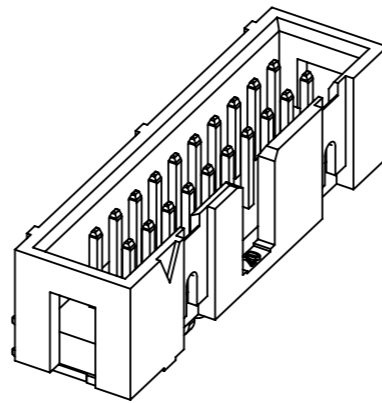
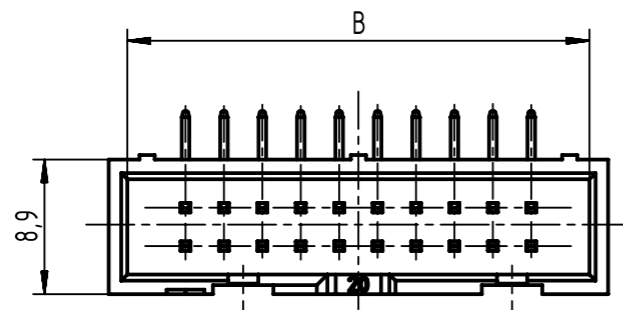
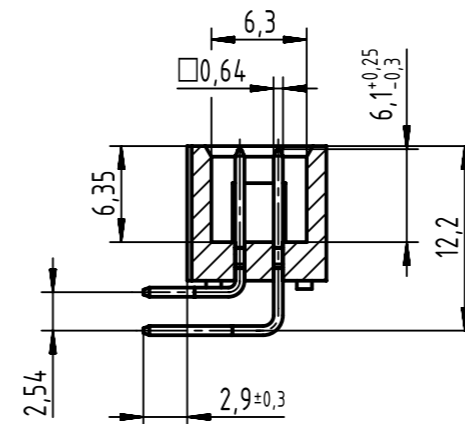


PCB layout
view component side
thickness 1,6



A-A



further more information
see DS 09191230201

full range of P/N's and
dimensions shown on page 2/2

coding style table

	style A: for connectors 6-pole
	style B: for connectors from 10 to 14-pole
	style C: for connectors from 16 to 64-pole

	All rights reserved Department EC PD - DE	Created by STORCK	Inspected by LEHNERT	Standardisation HOFFMANN	Date 2015-12-07	State Final Release	Ref. Sub. TB 09195XXX323 / 50000068837 / 2014-05-16
	HARTING Electronics GmbH D-32339 Espelkamp	Title SEK 19 male low profile angled solder 2.9		Doc-Key / ECM-Nr. 100154466/UGD/012/A 50000094890		Type TB	Number 09195XXX323
						Rev. A	Page 1/2

		performance level					dimensions			
		PL3	PL2	S4			A max.	B	E	
no. of contacts	part number	part number	part number	insulator colour	remark					
06	09 19 506 7323	09 19 506 6323	09 19 506 5323	beige	-	15,4	12,78	2,54 x 2 = 5,08		
10	09 19 510 7323	09 19 510 6323	09 19 510 5323			20,5	17,86	2,54 x 4 = 10,16		
14	09 19 514 7323	09 19 514 6323	09 19 514 5323			25,6	22,94	2,54 x 6 = 15,24		
16	09 19 516 7323	09 19 516 6323	09 19 516 5323			28,1	25,48	2,54 x 7 = 17,78		
20	09 19 520 7323	09 19 520 6323	09 19 520 5323			33,2	30,56	2,54 x 9 = 22,86		
26	09 19 526 7323	09 19 526 6323	09 19 526 5323			40,8	38,18	2,54 x 12 = 30,48		
30	09 19 530 7323	09 19 530 6323	09 19 530 5323			45,9	43,26	2,54 x 14 = 35,56		
34	09 19 534 7323	09 19 534 6323	09 19 534 5323			51,0	48,34	2,54 x 16 = 40,64		
40	09 19 540 7323	09 19 540 6323	09 19 540 5323			58,6	55,96	2,54 x 19 = 48,26		
50	09 19 550 7323	09 19 550 6323	09 19 550 5323			71,5	68,66	2,54 x 24 = 60,96		
60	09 19 560 7323	09 19 560 6323	09 19 560 5323			84,2	81,36	2,54 x 29 = 73,66		
64	09 19 564 7323	09 19 564 6323	09 19 564 5323			89,3	86,44	2,54 x 31 = 78,74		
06	09 19 506 7323 001	09 19 506 6323 001	09 19 506 5323 001			black	-	15,4	12,78	2,54 x 2 = 5,08
10	09 19 510 7323 001	09 19 510 6323 001	09 19 510 5323 001					20,5	17,86	2,54 x 4 = 10,16
14	09 19 514 7323 001	09 19 514 6323 001	09 19 514 5323 001	25,6	22,94			2,54 x 6 = 15,24		
16	09 19 516 7323 001	09 19 516 6323 001	09 19 516 5323 001	28,1	25,48			2,54 x 7 = 17,78		
20	09 19 520 7323 001	09 19 520 6323 001	09 19 520 5323 001	33,2	30,56			2,54 x 9 = 22,86		
26	09 19 526 7323 001	09 19 526 6323 001	09 19 526 5323 001	40,8	38,18			2,54 x 12 = 30,48		
30	09 19 530 7323 001	09 19 530 6323 001	09 19 530 5323 001	45,9	43,26			2,54 x 14 = 35,56		
34	09 19 534 7323 001	09 19 534 6323 001	09 19 534 5323 001	51,0	48,34			2,54 x 16 = 40,64		
40	09 19 540 7323 001	09 19 540 6323 001	09 19 540 5323 001	58,6	55,96			2,54 x 19 = 48,26		
50	09 19 550 7323 001	09 19 550 6323 001	09 19 550 5323 001	71,5	68,66			2,54 x 24 = 60,96		
60	09 19 560 7323 001	09 19 560 6323 001	09 19 560 5323 001	84,2	81,36			2,54 x 29 = 73,66		
64	09 19 564 7323 001	09 19 564 6323 001	09 19 564 5323 001	89,3	86,44			2,54 x 31 = 78,74		
06	09 19 506 7323 740	09 19 506 6323 740	09 19 506 5323 740	beige	vacuum cover tape & reel packaging			15,4	12,78	2,54 x 2 = 5,08
10	09 19 510 7323 740	09 19 510 6323 740	09 19 510 5323 740					20,5	17,86	2,54 x 4 = 10,16
14	09 19 514 7323 740	09 19 514 6323 740	09 19 514 5323 740			25,6	22,94	2,54 x 6 = 15,24		
16	09 19 516 7323 740	09 19 516 6323 740	09 19 516 5323 740			28,1	25,48	2,54 x 7 = 17,78		
20	09 19 520 7323 740	09 19 520 6323 740	09 19 520 5323 740			33,2	30,56	2,54 x 9 = 22,86		
26	09 19 526 7323 740	09 19 526 6323 740	09 19 526 5323 740			40,8	38,18	2,54 x 12 = 30,48		
30	09 19 530 7323 740	09 19 530 6323 740	09 19 530 5323 740			45,9	43,26	2,54 x 14 = 35,56		
34	09 19 534 7323 740	09 19 534 6323 740	09 19 534 5323 740			51,0	48,34	2,54 x 16 = 40,64		
40	09 19 540 7323 740	09 19 540 6323 740	09 19 540 5323 740			58,6	55,96	2,54 x 19 = 48,26		
50	09 19 550 7323 740	09 19 550 6323 740	09 19 550 5323 740			71,5	68,66	2,54 x 24 = 60,96		
60	09 19 560 7323 740	09 19 560 6323 740	09 19 560 5323 740			84,2	81,36	2,54 x 29 = 73,66		
64	09 19 564 7323 740	09 19 564 6323 740	09 19 564 5323 740			89,3	86,44	2,54 x 31 = 78,74		
06	09 19 506 7323 741	09 19 506 6323 741	09 19 506 5323 741			black	vacuum cover tape & reel packaging	15,4	12,78	2,54 x 2 = 5,08
10	09 19 510 7323 741	09 19 510 6323 741	09 19 510 5323 741					20,5	17,86	2,54 x 4 = 10,16
14	09 19 514 7323 741	09 19 514 6323 741	09 19 514 5323 741	25,6	22,94			2,54 x 6 = 15,24		
16	09 19 516 7323 741	09 19 516 6323 741	09 19 516 5323 741	28,1	25,48			2,54 x 7 = 17,78		
20	09 19 520 7323 741	09 19 520 6323 741	09 19 520 5323 741	33,2	30,56			2,54 x 9 = 22,86		
26	09 19 526 7323 741	09 19 526 6323 741	09 19 526 5323 741	40,8	38,18			2,54 x 12 = 30,48		
30	09 19 530 7323 741	09 19 530 6323 741	09 19 530 5323 741	45,9	43,26			2,54 x 14 = 35,56		
34	09 19 534 7323 741	09 19 534 6323 741	09 19 534 5323 741	51,0	48,34			2,54 x 16 = 40,64		
40	09 19 540 7323 741	09 19 540 6323 741	09 19 540 5323 741	58,6	55,96			2,54 x 19 = 48,26		
50	09 19 550 7323 741	09 19 550 6323 741	09 19 550 5323 741	71,5	68,66			2,54 x 24 = 60,96		
60	09 19 560 7323 741	09 19 560 6323 741	09 19 560 5323 741	84,2	81,36			2,54 x 29 = 73,66		
64	09 19 564 7323 741	09 19 564 6323 741	09 19 564 5323 741	89,3	86,44			2,54 x 31 = 78,74		

	All rights reserved	Created by	Inspected by	Standardisation	Date	State	
	Department EC PD - DE	STORCK	LEHNERT	HOFFMANN	2015-12-07	Final Release	
HARTING Electronics GmbH		Title				Doc-Key / ECM-Nr.	
D-32339 Espelkamp		SEK 19 male low profile angled solder 2.9				100154466/UGD/012/A 50000094890	
		Type	Number	Rev.		Page	
		TB	09195XXX323	A		2/2	

X-ON Electronics

Largest Supplier of Electrical and Electronic Components

Click to view similar products for [DIN 41612 Connectors](#) category:

Click to view products by [HARTING](#) manufacturer:

Other Similar products are found below :

[09231126901](#) [PCN10F-24P-2.54DS\(72\)](#) [004.767](#) [02221602702](#) [024069](#) [602427301412000](#) [013275](#) [691327-1](#) [74670-0732](#) [74680-0340](#)
[75880-0015](#) [76453-0014](#) [86093159ALF](#) [923454](#) [QLC260R](#) [120X10099X](#) [120X10019X](#) [120X10089X](#) [120X10129X](#) [121A10039X](#)
[121A10309X](#) [122A10019X](#) [122A10029X](#) [122A10249X](#) [122A10669X](#) [122A11089X](#) [122A13089X](#) [121B10409X](#) [122A10089X](#)
[122A10129X](#) [122A10349X](#) [122A13359X](#) [1377391-4](#) [DIN-048CPC-SR1-MH](#) [1393583-2](#) [1393726-7](#) [140X10059X](#) [140X10129X](#) [143-1913-](#)
[000](#) [143-1908-000](#) [1484472-1](#) [173052](#) [2110070-1](#) [2110070-2](#) [CBC20T00-008FDS5-0-1-002VR](#) [983-0SE12-12P6](#) [17041102202](#) [172699-](#)
[5036](#) [173051](#) [20](#) [8457096](#) [010](#) [025](#)