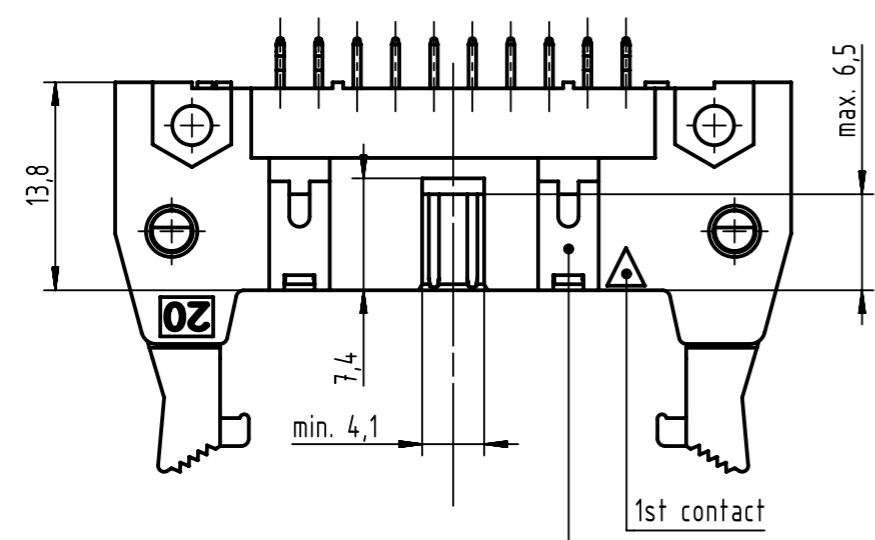
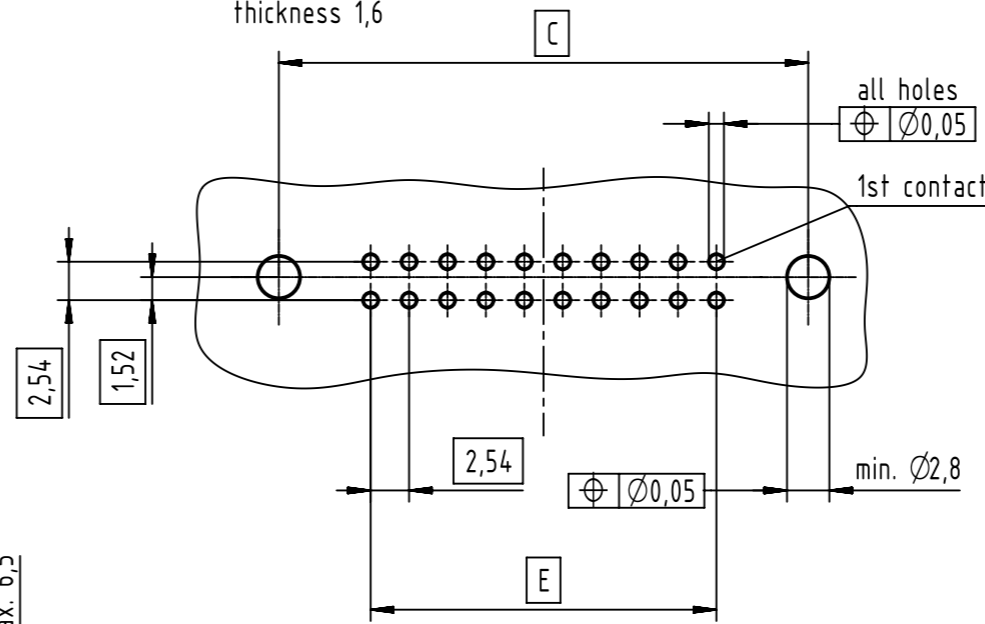
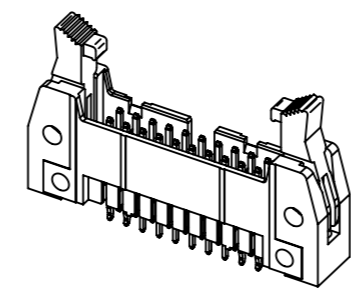


PCB layout
view component side
thickness 1,6



see table for coding,
feature arrangement and style



further information see:
DS 09181200001 for 09185XXX004
DS 09191230202 for 09195XXX004

full range of P/N's and
dimensions shown on page 2/2

1 kinked contacts	
PCB thickness from 1,50 to 1,94 mm after Cu+Sn plating with non remelted plated through holes Ø0,85 mm to Ø1,05 mm max. insertion force = 125N min. retention force = 3N	
2 non kinked contacts	
solder contacts for PCB connections Ø1±0,1 acc. to IEC 60603-13	
coding style table	
	style A: for connectors 6-pole
	style B: for connectors from 10 to 14-pole
	style C: for connectors from 16 to 64-pole

All Dimensions in mm Original Size DIN A3		Scale 2:1	Free size tol. IEC 60603-13		Ref. Sub. TB 091X5XXX004 / 500000087654 / 2015-04-08
 All rights reserved Department EC PD - DE HARTING Electronics GmbH D-32339 Espelkamp	Created by STORCK	Inspected by TADJE	Standardisation KOHLE	Date 2015-12-21	State Final Release
	Title SEK 18/19 male STD straight kinked with long lever 2.9				Doc-Key / ECM-Nr. 100154464/UGD/042/A 50000094644
Type TB		Number 091X5XXX004		Rev. A	Page 1/2

		performance level			dimensions						
		PL3	PL2	S4	solder process	insulator colour	A max.	C	D	E	G
no. of contacts	part number	part number	part number								
06	09 18 506 7004	09 18 506 6004	09 18 506 5004	wave soldering	grey	27,2	22,86	12,45	2,54 x 2 = 5,08	40,3	
10	09 18 510 7004	09 18 510 6004	09 18 510 5004			32,3	27,94	17,53	2,54 x 4 = 10,16	45,4	
14	09 18 514 7004	09 18 514 6004	09 18 514 5004			37,4	33,02	22,61	2,54 x 6 = 15,24	50,4	
16	09 18 516 7004	09 18 516 6004	09 18 516 5004			39,9	35,56	25,15	2,54 x 7 = 17,78	53,0	
20	09 18 520 7004	09 18 520 6004	09 18 520 5004			45,0	40,64	30,23	2,54 x 9 = 22,86	58,1	
24	09 18 524 7004	09 18 524 6004	09 18 524 5004			50,1	45,72	35,91	2,54 x 11 = 27,94	63,2	
26	09 18 526 7004	09 18 526 6004	09 18 526 5004			52,6	48,26	37,85	2,54 x 12 = 30,48	65,7	
30	09 18 530 7004	09 18 530 6004	09 18 530 5004			58,0	53,34	43,83	2,54 x 14 = 35,56	68,6	
34	09 18 534 7004	09 18 534 6004	09 18 534 5004			62,8	58,42	48,01	2,54 x 16 = 40,64	75,8	
40	09 18 540 7004	09 18 540 6004	09 18 540 5004			70,4	66,04	55,63	2,54 x 19 = 48,26	83,5	
50	09 18 550 7004	09 18 550 6004	09 18 550 5004			83,1	78,74	68,33	2,54 x 24 = 60,96	96,2	
60	09 18 560 7004	09 18 560 6004	09 18 560 5004			95,8	91,44	81,03	2,54 x 29 = 73,66	108,9	
64	09 18 564 7004	09 18 564 6004	09 18 564 5004			100,9	96,52	86,11	2,54 x 31 = 78,74	113,9	
06	09 19 506 7004	09 19 506 6004	09 19 506 5004			wave & reflow soldering	beige	27,2	22,86	12,45	2,54 x 2 = 5,08
10	09 19 510 7004	09 19 510 6004	09 19 510 5004	32,3	27,94			17,53	2,54 x 4 = 10,16	45,4	
14	09 19 514 7004	09 19 514 6004	09 19 514 5004	37,4	33,02			22,61	2,54 x 6 = 15,24	50,4	
16	09 19 516 7004	09 19 516 6004	09 19 516 5004	39,9	35,56			25,15	2,54 x 7 = 17,78	53,0	
20	09 19 520 7004	09 19 520 6004	09 19 520 5004	45,0	40,64			30,23	2,54 x 9 = 22,86	58,1	
24	09 19 524 7004	09 19 524 6004	09 19 524 5004	50,1	45,72			35,91	2,54 x 11 = 27,94	63,2	
26	09 19 526 7004	09 19 526 6004	09 19 526 5004	52,6	48,26			37,85	2,54 x 12 = 30,48	65,7	
30	09 19 530 7004	09 19 530 6004	09 19 530 5004	58,0	53,34			43,83	2,54 x 14 = 35,56	68,6	
34	09 19 534 7004	09 19 534 6004	09 19 534 5004	62,8	58,42			48,01	2,54 x 16 = 40,64	75,8	
40	09 19 540 7004	09 19 540 6004	09 19 540 5004	70,4	66,04			55,63	2,54 x 19 = 48,26	83,5	
50	09 19 550 7004	09 19 550 6004	09 19 550 5004	83,1	78,74			68,33	2,54 x 24 = 60,96	96,2	
60	09 19 560 7004	09 19 560 6004	09 19 560 5004	95,8	91,44			81,03	2,54 x 29 = 73,66	108,9	
64	09 19 564 7004	09 19 564 6004	09 19 564 5004	100,9	96,52			86,11	2,54 x 31 = 78,74	113,9	

	All rights reserved	Created by	Inspected by	Standardisation	Date	State
	Department EC PD - DE	STORCK	TADJE	KOHLER	2015-12-21	Final Release
HARTING Electronics GmbH D-32339 Espelkamp		Title SEK 18/19 male STD straight kinked with long lever 2.9				Doc-Key / ECM-Nr. 100154464/UGD/042/A 50000094644
		Type	Number	Rev.	Page	
		TB	091X5XXX004	A	2/2	

X-ON Electronics

Largest Supplier of Electrical and Electronic Components

Click to view similar products for [Headers & Wire Housings](#) category:

Click to view products by [HARTING](#) manufacturer:

Other Similar products are found below :

[95000-104TRLF](#) [10135584-644402LF](#) [DF62W-EP2022PCA](#) [95000-106TRLF](#) [DF62W-2022SCA](#) [DF62W-EP2022PC](#) [2203348](#) [DF62W-2022SC](#) [1084018](#) [1029039](#) [1084017](#) [802-10-012-10-002000](#) [1112640](#) [1112639](#) [891-007-9SS-BST1T](#) [000-34000](#) [0008550134](#) [0009482033](#) [0009507031](#) [57102-F02-18ULF](#) [57102-S06-03LF](#) [57202-S52-04LF](#) [PCN6-15S-2.5E](#) [0039019024](#) [58102-G61-06LF](#) [582553-1](#) [0009485154](#) [0009508121](#) [0022285053](#) [0050291907](#) [018731A](#) [LY20-4P-DT1-P1E-BR](#) [02.125.8002.8](#) [60101931](#) [60598-1 \(Cut Strip\)](#) [M1625-3R/100](#) [61062-3](#) [61082-181009](#) [CSU011177004](#) [636-1427](#) [638009-1](#) [641938-9](#) [641991-4](#) [644168-1](#) [644827-2](#) [647662-1](#) [65039-019ELF](#) [65692-001LF](#) [65781-018](#) [65781-047](#)