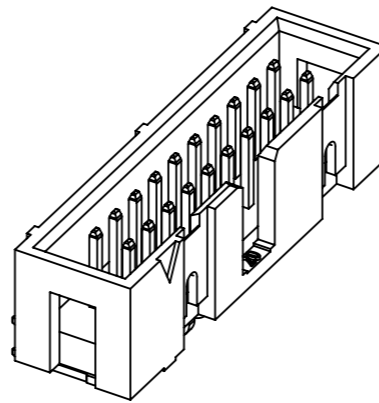
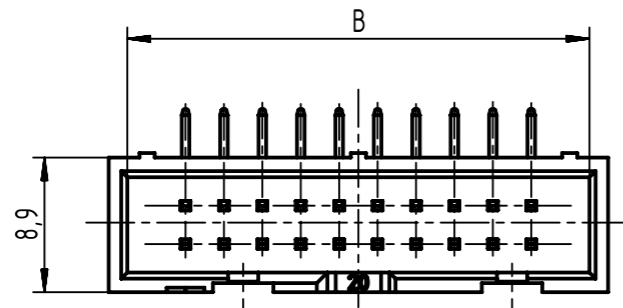
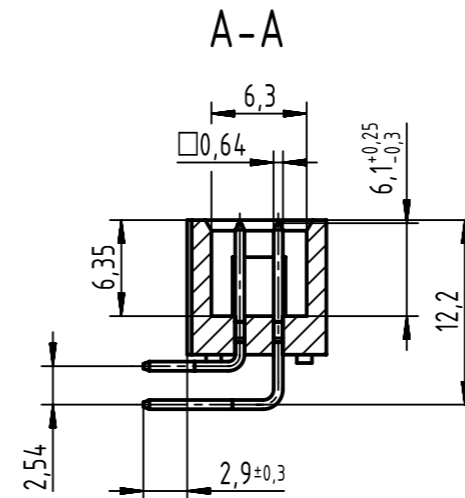
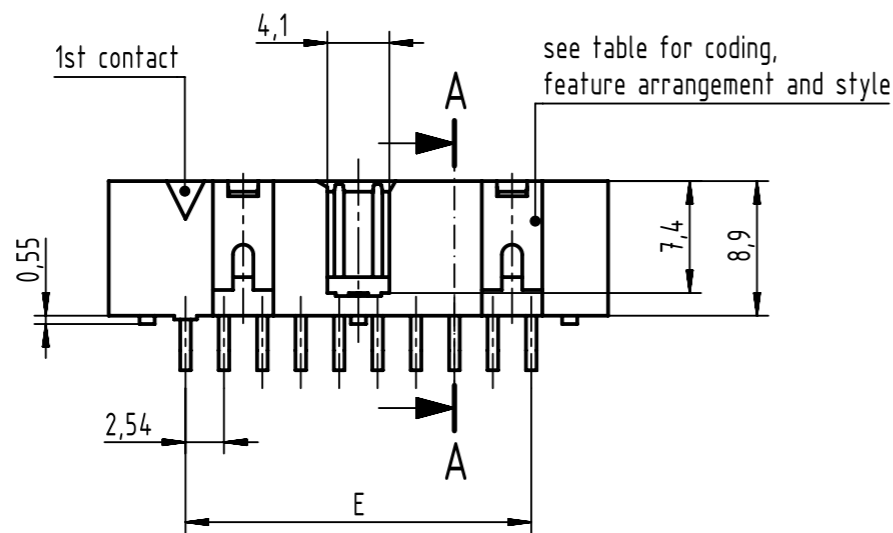
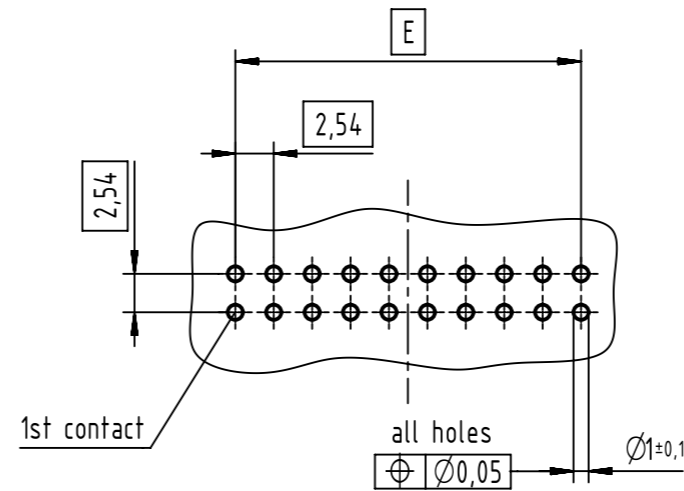


PCB layout
view component side
thickness 1,6




further more information
see DS 09191230201

full range of P/N's and
dimensions shown on page 2/2

coding style table	
	style A: for connectors 6-pole
	style B: for connectors from 10 to 14-pole
	style C: for connectors from 16 to 64-pole

	All Dimensions in mm Original Size DIN A3	Scale 2:1	Free size tol. IEC 60603-13	Ref. Sub. TB 09195XXX323 / 50000068837 / 2014-05-16	
	All rights reserved Department EC PD - DE	Created by STORCK	Inspected by LEHNERT	Standardisation HOFFMANN	Date 2015-12-07
HARTING Electronics GmbH D-32339 Espelkamp		Title SEK 19 male low profile angled solder 2.9			Doc-Key / ECM-Nr. 100154466/UGD/012/A 50000094890
		Type TB	Number 09195XXX323		Rev. A Page 1/2

1	2		3	4	5	6		7	8
A	performance level				insulator colour	remark	dimensions		
	no. of contacts	part number	part number	part number			A max.	B	E
	B	PL3	PL2	S4			beige	-	15,4
B	10	09 19 510 7323	09 19 510 6323	09 19 510 5323	beige	-	20,5	17,86	2,54 x 4 = 10,16
B	14	09 19 514 7323	09 19 514 6323	09 19 514 5323	beige	-	25,6	22,94	2,54 x 6 = 15,24
B	16	09 19 516 7323	09 19 516 6323	09 19 516 5323	beige	-	28,1	25,48	2,54 x 7 = 17,78
B	20	09 19 520 7323	09 19 520 6323	09 19 520 5323	beige	-	33,2	30,56	2,54 x 9 = 22,86
B	26	09 19 526 7323	09 19 526 6323	09 19 526 5323	beige	-	40,8	38,18	2,54 x 12 = 30,48
B	30	09 19 530 7323	09 19 530 6323	09 19 530 5323	beige	-	45,9	43,26	2,54 x 14 = 35,56
B	34	09 19 534 7323	09 19 534 6323	09 19 534 5323	beige	-	51,0	48,34	2,54 x 16 = 40,64
B	40	09 19 540 7323	09 19 540 6323	09 19 540 5323	beige	-	58,6	55,96	2,54 x 19 = 48,26
B	50	09 19 550 7323	09 19 550 6323	09 19 550 5323	beige	-	71,5	68,66	2,54 x 24 = 60,96
B	60	09 19 560 7323	09 19 560 6323	09 19 560 5323	beige	-	84,2	81,36	2,54 x 29 = 73,66
B	64	09 19 564 7323	09 19 564 6323	09 19 564 5323	beige	-	89,3	86,44	2,54 x 31 = 78,74
C	06	09 19 506 7323 001	09 19 506 6323 001	09 19 506 5323 001	black	-	15,4	12,78	2,54 x 2 = 5,08
C	10	09 19 510 7323 001	09 19 510 6323 001	09 19 510 5323 001	black	-	20,5	17,86	2,54 x 4 = 10,16
C	14	09 19 514 7323 001	09 19 514 6323 001	09 19 514 5323 001	black	-	25,6	22,94	2,54 x 6 = 15,24
C	16	09 19 516 7323 001	09 19 516 6323 001	09 19 516 5323 001	black	-	28,1	25,48	2,54 x 7 = 17,78
C	20	09 19 520 7323 001	09 19 520 6323 001	09 19 520 5323 001	black	-	33,2	30,56	2,54 x 9 = 22,86
C	26	09 19 526 7323 001	09 19 526 6323 001	09 19 526 5323 001	black	-	40,8	38,18	2,54 x 12 = 30,48
C	30	09 19 530 7323 001	09 19 530 6323 001	09 19 530 5323 001	black	-	45,9	43,26	2,54 x 14 = 35,56
C	34	09 19 534 7323 001	09 19 534 6323 001	09 19 534 5323 001	black	-	51,0	48,34	2,54 x 16 = 40,64
C	40	09 19 540 7323 001	09 19 540 6323 001	09 19 540 5323 001	black	-	58,6	55,96	2,54 x 19 = 48,26
C	50	09 19 550 7323 001	09 19 550 6323 001	09 19 550 5323 001	black	-	71,5	68,66	2,54 x 24 = 60,96
C	60	09 19 560 7323 001	09 19 560 6323 001	09 19 560 5323 001	black	-	84,2	81,36	2,54 x 29 = 73,66
C	64	09 19 564 7323 001	09 19 564 6323 001	09 19 564 5323 001	black	-	89,3	86,44	2,54 x 31 = 78,74
D	06	09 19 506 7323 740	09 19 506 6323 740	09 19 506 5323 740	beige	vacuum cover tape & reel packaging	15,4	12,78	2,54 x 2 = 5,08
D	10	09 19 510 7323 740	09 19 510 6323 740	09 19 510 5323 740	beige	vacuum cover tape & reel packaging	20,5	17,86	2,54 x 4 = 10,16
D	14	09 19 514 7323 740	09 19 514 6323 740	09 19 514 5323 740	beige	vacuum cover tape & reel packaging	25,6	22,94	2,54 x 6 = 15,24
D	16	09 19 516 7323 740	09 19 516 6323 740	09 19 516 5323 740	beige	vacuum cover tape & reel packaging	28,1	25,48	2,54 x 7 = 17,78
D	20	09 19 520 7323 740	09 19 520 6323 740	09 19 520 5323 740	beige	vacuum cover tape & reel packaging	33,2	30,56	2,54 x 9 = 22,86
D	26	09 19 526 7323 740	09 19 526 6323 740	09 19 526 5323 740	beige	vacuum cover tape & reel packaging	40,8	38,18	2,54 x 12 = 30,48
D	30	09 19 530 7323 740	09 19 530 6323 740	09 19 530 5323 740	beige	vacuum cover tape & reel packaging	45,9	43,26	2,54 x 14 = 35,56
D	34	09 19 534 7323 740	09 19 534 6323 740	09 19 534 5323 740	beige	vacuum cover tape & reel packaging	51,0	48,34	2,54 x 16 = 40,64
D	40	09 19 540 7323 740	09 19 540 6323 740	09 19 540 5323 740	beige	vacuum cover tape & reel packaging	58,6	55,96	2,54 x 19 = 48,26
D	50	09 19 550 7323 740	09 19 550 6323 740	09 19 550 5323 740	beige	vacuum cover tape & reel packaging	71,5	68,66	2,54 x 24 = 60,96
D	60	09 19 560 7323 740	09 19 560 6323 740	09 19 560 5323 740	beige	vacuum cover tape & reel packaging	84,2	81,36	2,54 x 29 = 73,66
D	64	09 19 564 7323 740	09 19 564 6323 740	09 19 564 5323 740	beige	vacuum cover tape & reel packaging	89,3	86,44	2,54 x 31 = 78,74
E	06	09 19 506 7323 741	09 19 506 6323 741	09 19 506 5323 741	black	vacuum cover tape & reel packaging	15,4	12,78	2,54 x 2 = 5,08
E	10	09 19 510 7323 741	09 19 510 6323 741	09 19 510 5323 741	black	vacuum cover tape & reel packaging	20,5	17,86	2,54 x 4 = 10,16
E	14	09 19 514 7323 741	09 19 514 6323 741	09 19 514 5323 741	black	vacuum cover tape & reel packaging	25,6	22,94	2,54 x 6 = 15,24
E	16	09 19 516 7323 741	09 19 516 6323 741	09 19 516 5323 741	black	vacuum cover tape & reel packaging	28,1	25,48	2,54 x 7 = 17,78
E	20	09 19 520 7323 741	09 19 520 6323 741	09 19 520 5323 741	black	vacuum cover tape & reel packaging	33,2	30,56	2,54 x 9 = 22,86
E	26	09 19 526 7323 741	09 19 526 6323 741	09 19 526 5323 741	black	vacuum cover tape & reel packaging	40,8	38,18	2,54 x 12 = 30,48
E	30	09 19 530 7323 741	09 19 530 6323 741	09 19 530 5323 741	black	vacuum cover tape & reel packaging	45,9	43,26	2,54 x 14 = 35,56
E	34	09 19 534 7323 741	09 19 534 6323 741	09 19 534 5323 741	black	vacuum cover tape & reel packaging	51,0	48,34	2,54 x 16 = 40,64
E	40	09 19 540 7323 741	09 19 540 6323 741	09 19 540 5323 741	black	vacuum cover tape & reel packaging	58,6	55,96	2,54 x 19 = 48,26
E	50	09 19 550 7323 741	09 19 550 6323 741	09 19 550 5323 741	black	vacuum cover tape & reel packaging	71,5	68,66	2,54 x 24 = 60,96
E	60	09 19 560 7323 741	09 19 560 6323 741	09 19 560 5323 741	black	vacuum cover tape & reel packaging	84,2	81,36	2,54 x 29 = 73,66
E	64	09 19 564 7323 741	09 19 564 6323 741	09 19 564 5323 741	black	vacuum cover tape & reel packaging	89,3	86,44	2,54 x 31 = 78,74
F	1	2	3	4	5	6	7	8	8

 All rights reserved Department EC PD - DE		All Dimensions in mm Original Size DIN A3		Scale 1:1	Free size tol.	Ref. Sub. TB 09195XXX323 / 50000068837 / 2014-05-16	
HARTING Electronics GmbH D-32339 Espelkamp		Created by STORCK	Inspected by LEHNERT	Standardisation HOFFMANN	Date 2015-12-07	State Final Release	
Title SEK 19 male low profile angled solder 2.9						Doc-Key / ECM-Nr. 100154466/UGD/012/A 50000094890	
Type TB		Number 09195XXX323		Rev. A		Page 2/2	

X-ON Electronics

Largest Supplier of Electrical and Electronic Components

Click to view similar products for [Headers & Wire Housings](#) category:

Click to view products by [HARTING](#) manufacturer:

Other Similar products are found below :

[95000-104TRLF](#) [10135584-644402LF](#) [DF62W-EP2022PCA](#) [95000-106TRLF](#) [DF62W-2022SCA](#) [DF62W-EP2022PC](#) [2203348](#) [DF62W-2022SC](#) [1084018](#) [1029039](#) [1084017](#) [802-10-012-10-002000](#) [1112640](#) [1112639](#) [891-007-9SS-BST1T](#) [000-34000](#) [0008550134](#) [0009482033](#) [0009507031](#) [57102-F02-18ULF](#) [57102-S06-03LF](#) [57202-S52-04LF](#) [PCN6-15S-2.5E](#) [0039019024](#) [58102-G61-06LF](#) [582553-1](#) [0009485154](#) [0009508121](#) [0022285053](#) [0050291907](#) [018731A](#) [LY20-4P-DT1-P1E-BR](#) [02.125.8002.8](#) [60101931](#) [60598-1 \(Cut Strip\)](#) [M1625-3R/100](#) [61062-3](#) [61082-181009](#) [CSU011177004](#) [636-1427](#) [638009-1](#) [641938-9](#) [641991-4](#) [644168-1](#) [644827-2](#) [647662-1](#) [65039-019ELF](#) [65692-001LF](#) [65781-018](#) [65781-047](#)