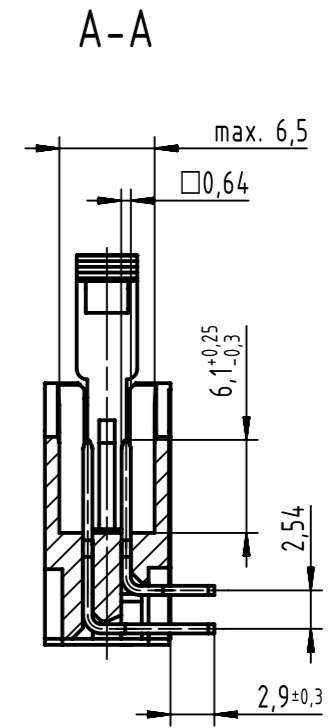
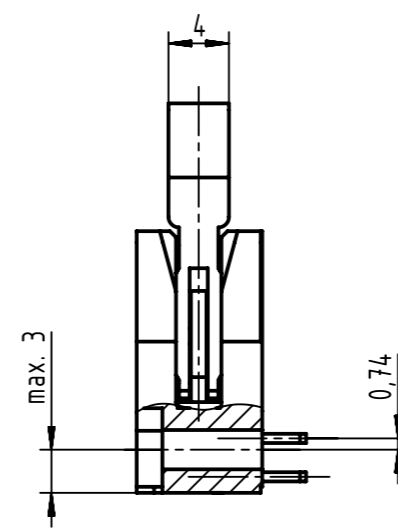
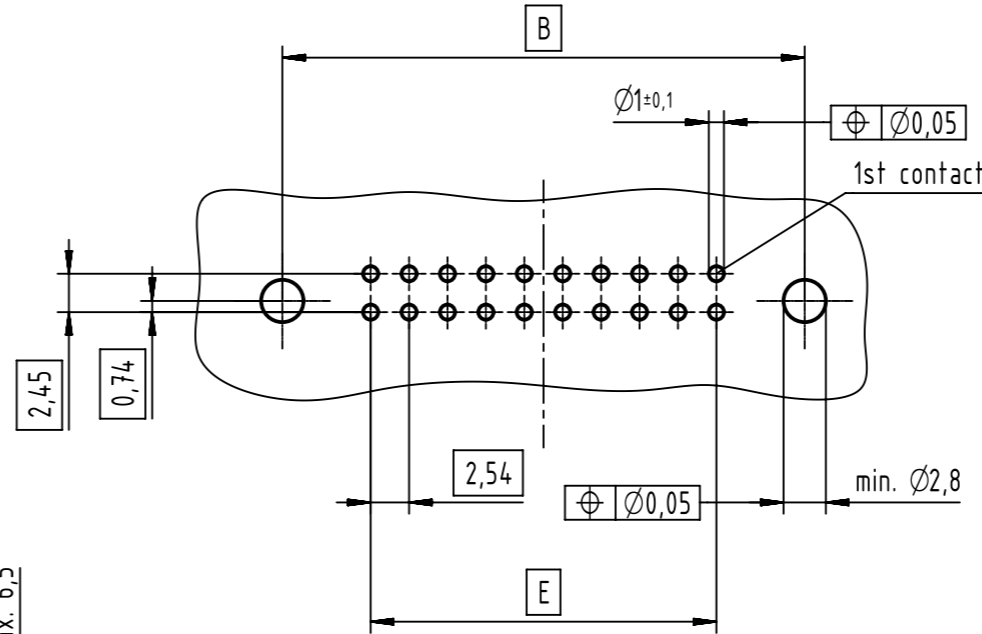


see tables for coding, feature arrangement and style



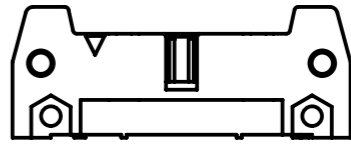
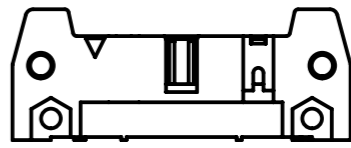
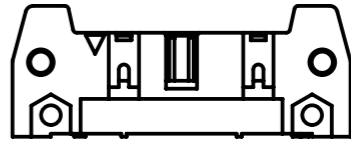
PCB layout view component side thickness 1,6

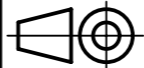



further more information see: DS 09191130201

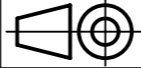
full range of P/N's and dimensions shown on page 2/2

coding style table

	style A: for connectors 6-pole
	style B: for connectors from 10 to 14-pole
	style C: for connectors from 16 to 64-pole

	All Dimensions in mm Original Size DIN A3	Scale 2:1	Free size tol. IEC 60603-13	Ref. Sub. TB 09195XXX903 / 50000093939 / 2015-08-31
	All rights reserved Department EC PD - DE	Created by STORCK	Inspected by LEHNERT	Standardisation HOFFMANN
HARTING Electronics GmbH D-32339 Espelkamp		Title SEK 19 male standard conn angled with long lever 2.9	Date 2015-09-16	State Final Release
Type TB	Number 09195XXX903	Doc-Key / ECM-Nr. 100154464/UGD/004/C 50000094555	Rev. C	Page 1/2

1	2		3	4	5	6		7	8		
	performance level					dimensions					
	PL3	PL2	S4			A max.	B	D	E	G	
A	no. of contacts	part number	part number	part number	insulator colour	remark					
B	06	09 19 506 7903	09 19 506 6903	09 19 506 5903	beige		27,2	16,76	12,45	2,54 x 2 = 5,08	40,3
	10	09 19 510 7903	09 19 510 6903	09 19 510 5903			32,3	21,84	17,53	2,54 x 4 = 10,16	45,4
	14	09 19 514 7903	09 19 514 6903	09 19 514 5903			37,4	26,92	22,61	2,54 x 6 = 15,24	50,4
	16	09 19 516 7903	09 19 516 6903	09 19 516 5903			39,9	29,46	25,15	2,54 x 7 = 17,78	53,0
	20	09 19 520 7903	09 19 520 6903	09 19 520 5903			45,0	34,54	30,23	2,54 x 9 = 22,86	58,1
	24	09 19 524 7903	09 19 524 6903	09 19 524 5903			50,1	39,62	35,91	2,54 x 11 = 27,94	63,2
	26	09 19 526 7903	09 19 526 6903	09 19 526 5903			52,6	42,16	37,85	2,54 x 12 = 30,48	65,7
	30	09 19 530 7903	09 19 530 6903	09 19 530 5903			58,0	47,24	43,83	2,54 x 14 = 35,56	68,6
	34	09 19 534 7903	09 19 534 6903	09 19 534 5903			62,8	52,32	48,01	2,54 x 16 = 40,64	75,8
	40	09 19 540 7903	09 19 540 6903	09 19 540 5903			70,4	59,94	55,63	2,54 x 19 = 48,26	83,5
	50	09 19 550 7903	09 19 550 6903	09 19 550 5903			83,1	72,64	68,33	2,54 x 24 = 60,96	96,2
	60	09 19 560 7903	09 19 560 6903	09 19 560 5903			95,8	85,34	81,03	2,54 x 29 = 73,66	108,9
	64	09 19 564 7903	09 19 564 6903	09 19 564 5903			100,9	90,42	86,11	2,54 x 31 = 78,74	113,9
	C	06	09 19 506 7903 001	09 19 506 6903 001			09 19 506 5903 001	black		27,2	16,76
10		09 19 510 7903 001	09 19 510 6903 001	09 19 510 5903 001	32,3	21,84	17,53			2,54 x 4 = 10,16	45,4
14		09 19 514 7903 001	09 19 514 6903 001	09 19 514 5903 001	37,4	26,92	22,61			2,54 x 6 = 15,24	50,4
16		09 19 516 7903 001	09 19 516 6903 001	09 19 516 5903 001	39,9	29,46	25,15			2,54 x 7 = 17,78	53,0
20		09 19 520 7903 001	09 19 520 6903 001	09 19 520 5903 001	45,0	34,54	30,23			2,54 x 9 = 22,86	58,1
24		09 19 524 7903 001	09 19 524 6903 001	09 19 524 5903 001	50,1	39,62	35,91			2,54 x 11 = 27,94	63,2
26		09 19 526 7903 001	09 19 526 6903 001	09 19 526 5903 001	52,6	42,16	37,85			2,54 x 12 = 30,48	65,7
30		09 19 530 7903 001	09 19 530 6903 001	09 19 530 5903 001	58,0	47,24	43,83			2,54 x 14 = 35,56	68,6
34		09 19 534 7903 001	09 19 534 6903 001	09 19 534 5903 001	62,8	52,32	48,01			2,54 x 16 = 40,64	75,8
40		09 19 540 7903 001	09 19 540 6903 001	09 19 540 5903 001	70,4	59,94	55,63			2,54 x 19 = 48,26	83,5
50		09 19 550 7903 001	09 19 550 6903 001	09 19 550 5903 001	83,1	72,64	68,33			2,54 x 24 = 60,96	96,2
60		09 19 560 7903 001	09 19 560 6903 001	09 19 560 5903 001	95,8	85,34	81,03			2,54 x 29 = 73,66	108,9
64		09 19 564 7903 001	09 19 564 6903 001	09 19 564 5903 001	100,9	90,42	86,11			2,54 x 31 = 78,74	113,9
E		06	09 19 506 7903 740	09 19 506 6903 740	09 19 506 5903 740	beige	vacuum cover tape & reel packaging			27,2	16,76
	10	09 19 510 7903 740	09 19 510 6903 740	09 19 510 5903 740	32,3			21,84	17,53	2,54 x 4 = 10,16	45,4
	14	09 19 514 7903 740	09 19 514 6903 740	09 19 514 5903 740	37,4			26,92	22,61	2,54 x 6 = 15,24	50,4
	16	09 19 516 7903 740	09 19 516 6903 740	09 19 516 5903 740	39,9			29,46	25,15	2,54 x 7 = 17,78	53,0
	20	09 19 520 7903 740	09 19 520 6903 740	09 19 520 5903 740	45,0			34,54	30,23	2,54 x 9 = 22,86	58,1
	24	09 19 524 7903 740	09 19 524 6903 740	09 19 524 5903 740	50,1			39,62	35,91	2,54 x 11 = 27,94	63,2
	26	09 19 526 7903 740	09 19 526 6903 740	09 19 526 5903 740	52,6			42,16	37,85	2,54 x 12 = 30,48	65,7
	30	09 19 530 7903 740	09 19 530 6903 740	09 19 530 5903 740	58,0			47,24	43,83	2,54 x 14 = 35,56	68,6
	34	09 19 534 7903 740	09 19 534 6903 740	09 19 534 5903 740	62,8			52,32	48,01	2,54 x 16 = 40,64	75,8
	40	09 19 540 7903 740	09 19 540 6903 740	09 19 540 5903 740	70,4			59,94	55,63	2,54 x 19 = 48,26	83,5
	50	09 19 550 7903 740	09 19 550 6903 740	09 19 550 5903 740	83,1			72,64	68,33	2,54 x 24 = 60,96	96,2
	60	09 19 560 7903 740	09 19 560 6903 740	09 19 560 5903 740	95,8			85,34	81,03	2,54 x 29 = 73,66	108,9
	64	09 19 564 7903 740	09 19 564 6903 740	09 19 564 5903 740	100,9			90,42	86,11	2,54 x 31 = 78,74	113,9

 All rights reserved Department EC PD - DE HARTING Electronics GmbH D-32339 Espelkamp	All Dimensions in mm Original Size DIN A3	Scale 1:1 Free size tol.	Ref. Sub. TB 09195XXX903 / 50000093939 / 2015-08-31
	Created by STORCK	Inspected by LEHNERT	Standardisation HOFFMANN
Title SEK 19 male standard conn angled with long lever 2.9			State Final Release
Type TB		Number 09195XXX903	
Doc-Key / ECM-Nr. 100154464/UGD/004/C 50000094555			Rev. C Page 2/2

## X-ON Electronics

Largest Supplier of Electrical and Electronic Components

*Click to view similar products for [Headers & Wire Housings](#) category:*

*Click to view products by [HARTING](#) manufacturer:*

Other Similar products are found below :

[95000-104TRLF](#) [10135584-644402LF](#) [DF62W-EP2022PCA](#) [95000-106TRLF](#) [DF62W-2022SCA](#) [DF62W-EP2022PC](#) [2203348](#) [DF62W-2022SC](#) [1084018](#) [1029039](#) [1084017](#) [802-10-012-10-002000](#) [1112640](#) [1112639](#) [891-007-9SS-BST1T](#) [000-34000](#) [0008550134](#) [0009482033](#) [0009507031](#) [57102-F02-18ULF](#) [57102-S06-03LF](#) [57202-S52-04LF](#) [PCN6-15S-2.5E](#) [0039019024](#) [58102-G61-06LF](#) [582553-1](#) [0009485154](#) [0009508121](#) [0022285053](#) [0050291907](#) [018731A](#) [LY20-4P-DT1-P1E-BR](#) [02.125.8002.8](#) [60101931](#) [60598-1 \(Cut Strip\)](#) [M1625-3R/100](#) [61062-3](#) [61082-181009](#) [CSU011177004](#) [636-1427](#) [638009-1](#) [641938-9](#) [641991-4](#) [644168-1](#) [644827-2](#) [647662-1](#) [65039-019ELF](#) [65692-001LF](#) [65781-018](#) [65781-047](#)