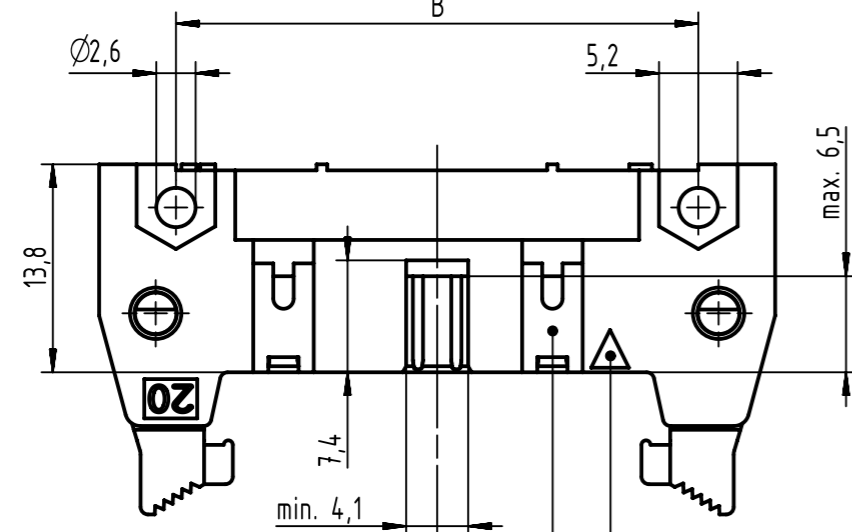
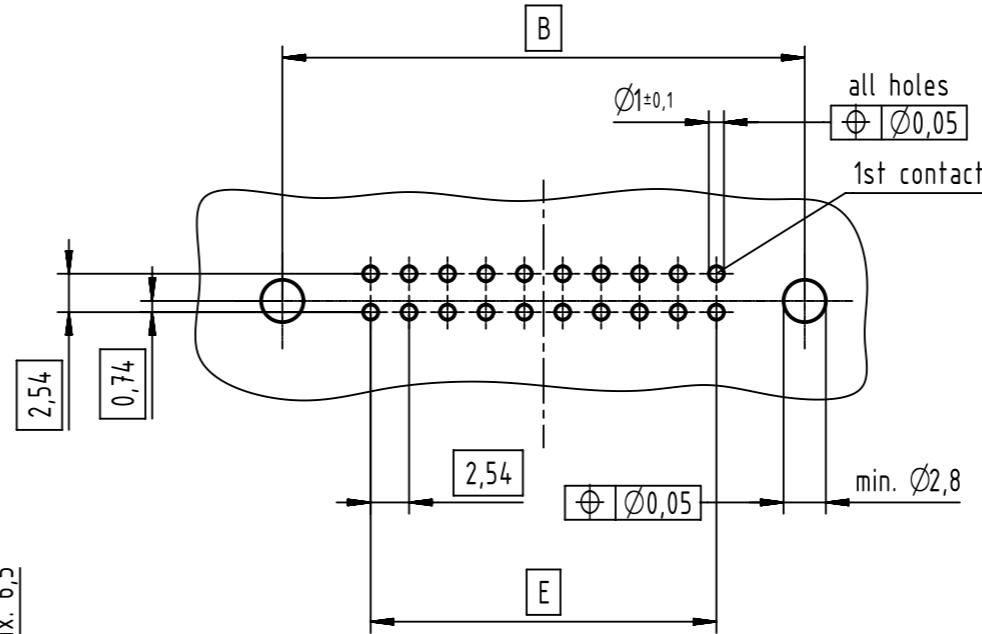
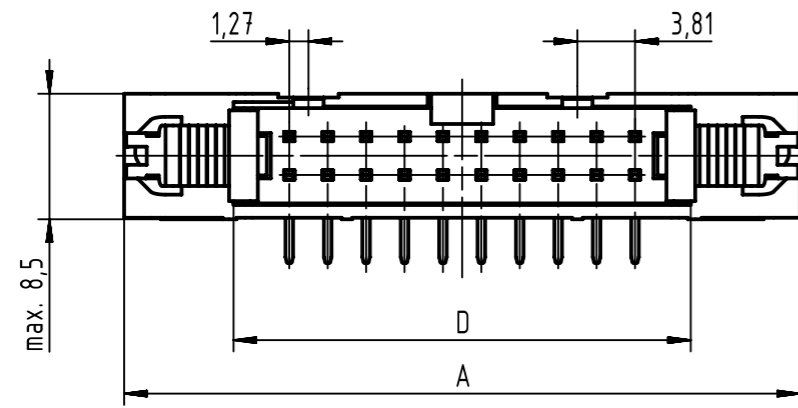
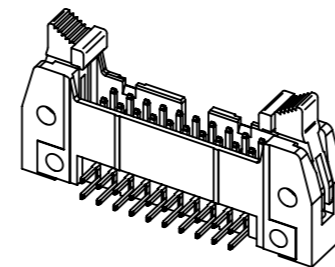
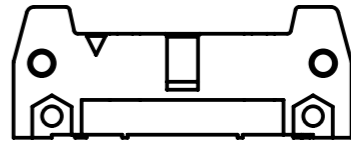
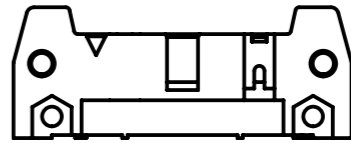
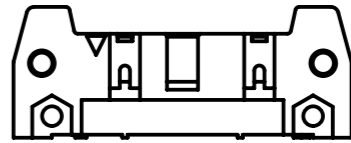


PCB layout  
view component side  
thickness 1,6




see table for coding,  
feature arrangement and style




coding style table	
	style A: for connectors 6-pole
	style B: for connectors from 10 to 14-pole
	style C: for connectors from 16 to 64-pole

further information  
see: DS 09191130201

full range of P/N's and  
dimensions shown on page 2/2

	All rights reserved Department EC PD - DE	Created by STORCK	Inspected by TADJE	Standardisation KOHLER	Date 2015-12-21	State Final Release	Ref. Sub. TB 09195XXX913 / 500000087654 / 2015-04-08
	HARTING Electronics GmbH D-32339 Espelkamp	Title SEK 19 male standard conn angled with short lever 2.9			Type TB	Number 09195XXX913	Doc-Key / ECM-Nr. 100154464/UGD/035/A 50000094596
						Rev. A	Page 1/2

no. of contacts	performance level			insulator colour	dimensions				
	PL3	PL2	S4		A max.	B	D	E	F
	part number	part number	part number						
06	09 19 506 7913	09 19 506 6913	09 19 506 5913	beige	27,2	16,76	12,45	2,54 x 2 = 5,08	36,9
10	09 19 510 7913	09 19 510 6913	09 19 510 5913		32,3	21,84	17,53	2,54 x 4 = 10,16	42,0
14	09 19 514 7913	09 19 514 6913	09 19 514 5913		37,4	26,92	22,61	2,54 x 6 = 15,24	47,1
16	09 19 516 7913	09 19 516 6913	09 19 516 5913		39,9	29,46	25,15	2,54 x 7 = 17,78	49,6
20	09 19 520 7913	09 19 520 6913	09 19 520 5913		45,0	34,54	30,23	2,54 x 9 = 22,86	54,7
24	09 19 524 7913	09 19 524 6913	09 19 524 5913		50,1	39,62	35,91	2,54 x 11 = 27,94	59,8
26	09 19 526 7913	09 19 526 6913	09 19 526 5913		52,6	42,16	37,85	2,54 x 12 = 30,48	62,3
30	09 19 530 7913	09 19 530 6913	09 19 530 5913		58,0	47,24	43,83	2,54 x 14 = 35,56	68,2
34	09 19 534 7913	09 19 534 6913	09 19 534 5913		62,8	52,32	48,01	2,54 x 16 = 40,64	72,5
40	09 19 540 7913	09 19 540 6913	09 19 540 5913		70,4	59,94	55,63	2,54 x 19 = 48,26	80,1
50	09 19 550 7913	09 19 550 6913	09 19 550 5913		83,1	72,64	68,33	2,54 x 24 = 60,96	92,8
60	09 19 560 7913	09 19 560 6913	09 19 560 5913		95,8	85,34	81,03	2,54 x 29 = 73,66	105,5
64	09 19 564 7913	09 19 564 6913	09 19 564 5913		100,9	90,42	86,11	2,54 x 31 = 78,74	110,6
06	09 19 506 7913 001	09 19 506 6913 001	09 19 506 5913 001		black	27,2	16,76	12,45	2,54 x 2 = 5,08
10	09 19 510 7913 001	09 19 510 6913 001	09 19 510 5913 001	32,3		21,84	17,53	2,54 x 4 = 10,16	42,0
14	09 19 514 7913 001	09 19 514 6913 001	09 19 514 5913 001	37,4		26,92	22,61	2,54 x 6 = 15,24	47,1
16	09 19 516 7913 001	09 19 516 6913 001	09 19 516 5913 001	39,9		29,46	25,15	2,54 x 7 = 17,78	49,6
20	09 19 520 7913 001	09 19 520 6913 001	09 19 520 5913 001	45,0		34,54	30,23	2,54 x 9 = 22,86	54,7
24	09 19 524 7913 001	09 19 524 6913 001	09 19 524 5913 001	50,1		39,62	35,91	2,54 x 11 = 27,94	59,8
26	09 19 526 7913 001	09 19 526 6913 001	09 19 526 5913 001	52,6		42,16	37,85	2,54 x 12 = 30,48	62,3
30	09 19 530 7913 001	09 19 530 6913 001	09 19 530 5913 001	58,0		47,24	43,83	2,54 x 14 = 35,56	68,2
34	09 19 534 7913 001	09 19 534 6913 001	09 19 534 5913 001	62,8		52,32	48,01	2,54 x 16 = 40,64	72,5
40	09 19 540 7913 001	09 19 540 6913 001	09 19 540 5913 001	70,4		59,94	55,63	2,54 x 19 = 48,26	80,1
50	09 19 550 7913 001	09 19 550 6913 001	09 19 550 5913 001	83,1		72,64	68,33	2,54 x 24 = 60,96	92,8
60	09 19 560 7913 001	09 19 560 6913 001	09 19 560 5913 001	95,8		85,34	81,03	2,54 x 29 = 73,66	105,5
64	09 19 564 7913 001	09 19 564 6913 001	09 19 564 5913 001	100,9		90,42	86,11	2,54 x 31 = 78,74	110,6

	All rights reserved Department EC PD - DE	Created by STORCK		Inspected by TADJE	Standardisation KOHLER	Date 2015-12-21	State Final Release
	HARTING Electronics GmbH D-32339 Espelkamp		Title SEK 19 male standard conn angled with short lever 2.9		Type TB	Number 09195XXX913	Doc-Key / ECM-Nr. 100154464/UGD/035/A 50000094596
All Dimensions in mm Original Size DIN A3			Scale 1:1	Free size tol.		Ref. Sub. TB 09195XXX913 / 500000087654 / 2015-04-08	
						Rev. A	Page 2/2

## X-ON Electronics

Largest Supplier of Electrical and Electronic Components

*Click to view similar products for [Headers & Wire Housings](#) category:*

*Click to view products by [HARTING](#) manufacturer:*

Other Similar products are found below :

[95000-104TRLF](#) [10135584-644402LF](#) [DF62W-EP2022PCA](#) [95000-106TRLF](#) [DF62W-2022SCA](#) [DF62W-EP2022PC](#) [2203348](#) [DF62W-2022SC](#) [1084018](#) [1029039](#) [1084017](#) [802-10-012-10-002000](#) [1112640](#) [1112639](#) [891-007-9SS-BST1T](#) [000-34000](#) [0008550134](#) [0009482033](#) [0009507031](#) [57102-F02-18ULF](#) [57102-S06-03LF](#) [57202-S52-04LF](#) [PCN6-15S-2.5E](#) [0039019024](#) [58102-G61-06LF](#) [582553-1](#) [0009485154](#) [0009508121](#) [0022285053](#) [0050291907](#) [018731A](#) [LY20-4P-DT1-P1E-BR](#) [02.125.8002.8](#) [60101931](#) [60598-1 \(Cut Strip\)](#) [M1625-3R/100](#) [61062-3](#) [61082-181009](#) [CSU011177004](#) [636-1427](#) [638009-1](#) [641938-9](#) [641991-4](#) [644168-1](#) [644827-2](#) [647662-1](#) [65039-019ELF](#) [65692-001LF](#) [65781-018](#) [65781-047](#)