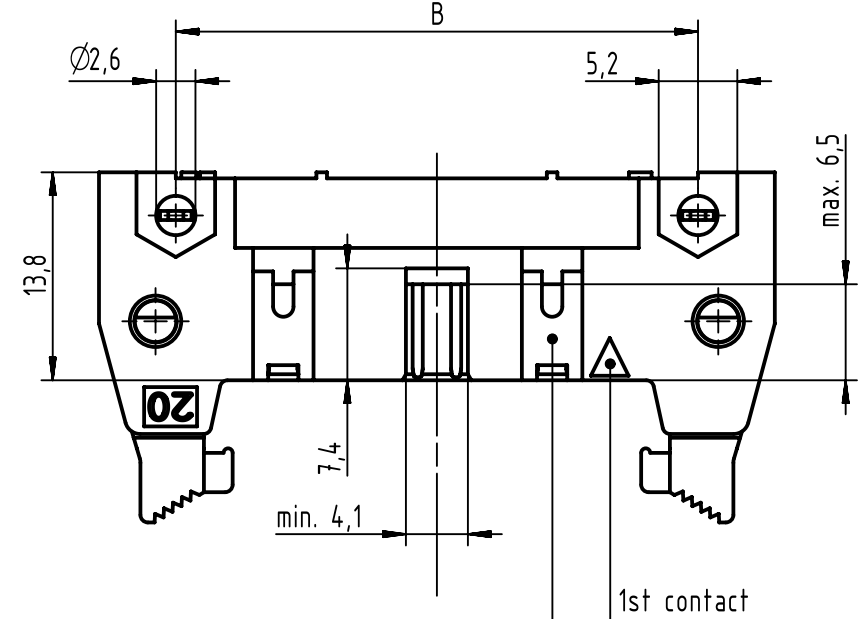
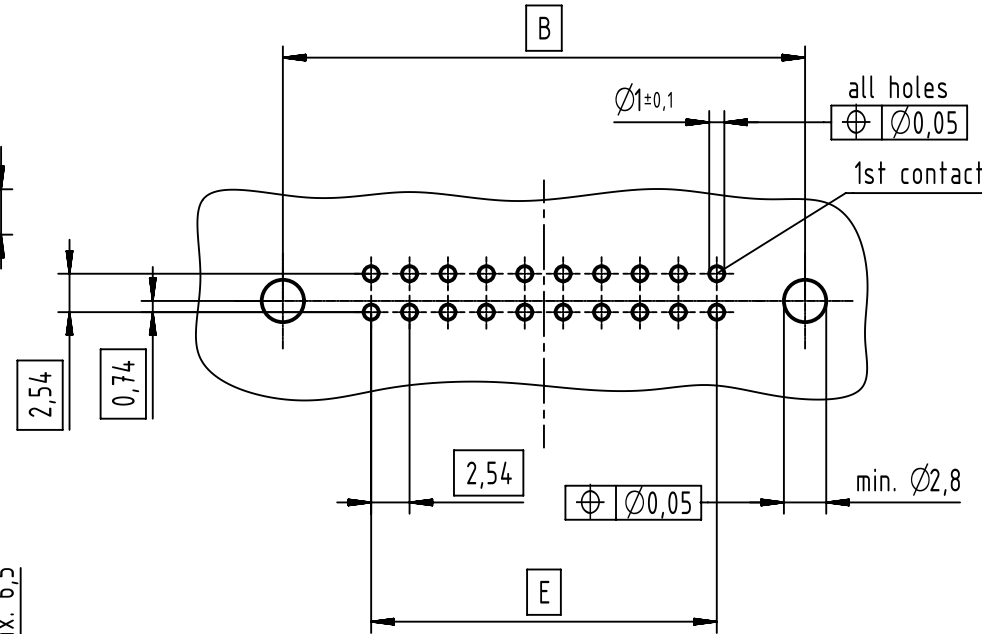
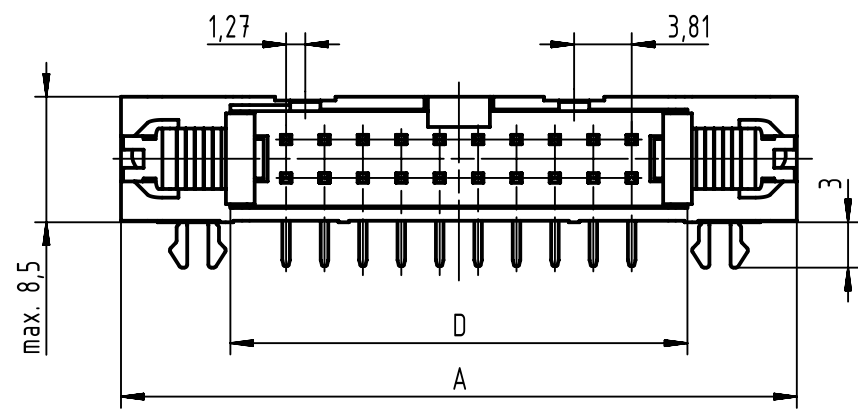
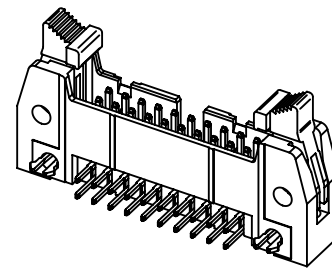


PCB layout
view component side
thickness up to 1,6



see table for coding,
feature arrangement and style



coding style table	
	style A: for connectors 6-pole
	style B: for connectors from 10 to 14-pole
	style C: for connectors from 16 to 64-pole

further information see:
DS 09181200001 for 09185XXX963
DS 09191130201 for 09195XXX963

full range of P/N's and
dimensions shown on page 2/2

	All Dimensions in mm Original Size DIN A3	Scale 2:1	Free size tol. IEC 60603-13	Ref. Sub. TB 091X5XXX963 / 500000087654 / 2015-04-08
	All rights reserved Department EC PD - DE	Created by STORCK	Inspected by TADJE	Standardisation KOHLER
HARTING Electronics GmbH D-32339 Espelkamp		Title SEK 18/19 male STD conn angled w clip short lever 2.9	Date 2015-12-21	State Final Release
Type TB	Number 091X5XXX963	Doc-Key / ECM-Nr. 100154464/UGD/045/A 50000094644	Rev. A	Page 1/2

		performance level			dimensions						
		PL3	PL2	S4	solder process	insulator colour	A max.	B	D	E	F
no. of contacts	part number	part number	part number								
06	09 18 506 7963	09 18 506 6963	09 18 506 5963	wave soldering	grey	27,2	16,76	12,45	2,54 x 2 = 5,08	36,9	
10	09 18 510 7963	09 18 510 6963	09 18 510 5963			32,3	21,84	17,53	2,54 x 4 = 10,16	42,0	
14	09 18 514 7963	09 18 514 6963	09 18 514 5963			37,4	26,92	22,61	2,54 x 6 = 15,24	47,1	
16	09 18 516 7963	09 18 516 6963	09 18 516 5963			39,9	29,46	25,15	2,54 x 7 = 17,78	49,6	
20	09 18 520 7963	09 18 520 6963	09 18 520 5963			45,0	34,54	30,23	2,54 x 9 = 22,86	54,7	
24	09 18 524 7963	09 18 524 6963	09 18 524 5963			50,1	39,62	35,91	2,54 x 11 = 27,94	59,8	
26	09 18 526 7963	09 18 526 6963	09 18 526 5963			52,6	42,16	37,85	2,54 x 12 = 30,48	62,3	
30	09 18 530 7963	09 18 530 6963	09 18 530 5963			58,0	47,24	43,83	2,54 x 14 = 35,56	68,2	
34	09 18 534 7963	09 18 534 6963	09 18 534 5963			62,8	52,32	48,01	2,54 x 16 = 40,64	72,5	
40	09 18 540 7963	09 18 540 6963	09 18 540 5963			70,4	59,94	55,63	2,54 x 19 = 48,26	80,1	
50	09 18 550 7963	09 18 550 6963	09 18 550 5963			83,1	72,64	68,33	2,54 x 24 = 60,96	92,8	
60	09 18 560 7963	09 18 560 6963	09 18 560 5963			95,8	85,34	81,03	2,54 x 29 = 73,66	105,5	
64	09 18 564 7963	09 18 564 6963	09 18 564 5963			100,9	90,42	86,11	2,54 x 31 = 78,74	110,6	
06	09 19 506 7963	09 19 506 6963	09 19 506 5963			wave & reflow soldering	beige	27,2	16,76	12,45	2,54 x 2 = 5,08
10	09 19 510 7963	09 19 510 6963	09 19 510 5963	32,3	21,84			17,53	2,54 x 4 = 10,16	42,0	
14	09 19 514 7963	09 19 514 6963	09 19 514 5963	37,4	26,92			22,61	2,54 x 6 = 15,24	47,1	
16	09 19 516 7963	09 19 516 6963	09 19 516 5963	39,9	29,46			25,15	2,54 x 7 = 17,78	49,6	
20	09 19 520 7963	09 19 520 6963	09 19 520 5963	45,0	34,54			30,23	2,54 x 9 = 22,86	54,7	
24	09 19 524 7963	09 19 524 6963	09 19 524 5963	50,1	39,62			35,91	2,54 x 11 = 27,94	59,8	
26	09 19 526 7963	09 19 526 6963	09 19 526 5963	52,6	42,16			37,85	2,54 x 12 = 30,48	62,3	
30	09 19 530 7963	09 19 530 6963	09 19 530 5963	58,0	47,24			43,83	2,54 x 14 = 35,56	68,2	
34	09 19 534 7963	09 19 534 6963	09 19 534 5963	62,8	52,32			48,01	2,54 x 16 = 40,64	72,5	
40	09 19 540 7963	09 19 540 6963	09 19 540 5963	70,4	59,94			55,63	2,54 x 19 = 48,26	80,1	
50	09 19 550 7963	09 19 550 6963	09 19 550 5963	83,1	72,64			68,33	2,54 x 24 = 60,96	92,8	
60	09 19 560 7963	09 19 560 6963	09 19 560 5963	95,8	85,34			81,03	2,54 x 29 = 73,66	105,5	
64	09 19 564 7963	09 19 564 6963	09 19 564 5963	100,9	90,42			86,11	2,54 x 31 = 78,74	110,6	

	All rights reserved	Created by	Inspected by	Standardisation	Date	State	
	Department EC PD - DE	STORCK	TADJE	KOHLER	2015-12-21	Final Release	
HARTING Electronics GmbH D-32339 Espelkamp		Title SEK 18/19 male STD conn angled w clip short lever 2.9				Doc-Key / ECM-Nr. 100154464/UGD/045/A 50000094644	
		Type	Number		Rev.	Page	
		TB	091X5XXX963		A	2/2	

X-ON Electronics

Largest Supplier of Electrical and Electronic Components

Click to view similar products for [Headers & Wire Housings](#) category:

Click to view products by [HARTING](#) manufacturer:

Other Similar products are found below :

[95000-104TRLF](#) [10135584-644402LF](#) [DF62W-EP2022PCA](#) [95000-106TRLF](#) [DF62W-2022SCA](#) [DF62W-EP2022PC](#) [2203348](#) [DF62W-2022SC](#) [1084018](#) [1029039](#) [1084017](#) [802-10-012-10-002000](#) [1112640](#) [1112639](#) [891-007-9SS-BST1T](#) [000-34000](#) [0008550134](#) [0009482033](#) [0009507031](#) [57102-F02-18ULF](#) [57102-S06-03LF](#) [57202-S52-04LF](#) [PCN6-15S-2.5E](#) [0039019024](#) [58102-G61-06LF](#) [582553-1](#) [0009485154](#) [0009508121](#) [0022285053](#) [0050291907](#) [018731A](#) [LY20-4P-DT1-P1E-BR](#) [02.125.8002.8](#) [60101931](#) [60598-1 \(Cut Strip\)](#) [M1625-3R/100](#) [61062-3](#) [61082-181009](#) [CSU011177004](#) [636-1427](#) [638009-1](#) [641938-9](#) [641991-4](#) [644168-1](#) [644827-2](#) [647662-1](#) [65039-019ELF](#) [65692-001LF](#) [65781-018](#) [65781-047](#)