

Han ES 6B PE-CC Male

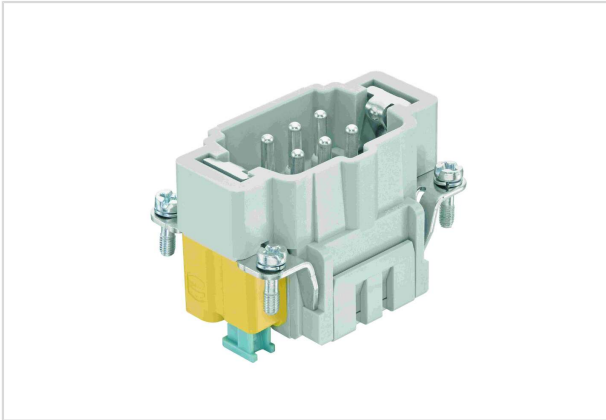


Image is for illustration purposes only. Please refer to product description.

Part number	09 33 006 2676
Specification	Han ES 6B PE-CC Male
HARTING eCatalogue	https://b2b.harting.com/09330062676

Identification

Category	Inserts
Series	Han [®] ES
Specification	Cage clamp termination for PE connection

Version

Termination method	Cage-clamp termination
Gender	Male
Size	6 B
Number of contacts	6
PE contact	Yes

Technical characteristics

Conductor cross-section	0.14 ... 2.5 mm ²
Conductor cross-section	AWG 26 ... AWG 14
Rated current	16 A
Rated voltage	500 V
Rated impulse voltage	6 kV
Pollution degree	3
Rated voltage acc. to UL	600 V
Rated voltage acc. to CSA	600 V
Insulation resistance	>10 ¹⁰ Ω
Contact resistance	≤3 mΩ
Stripping length	7 ... 9 mm



Pushing Performance
Since 1945

Technical characteristics

Limiting temperature	-40 ... +125 °C
Mating cycles	≥500

Material properties

Material (insert)	Polycarbonate (PC)
Colour (insert)	RAL 7032 (pebble grey)
Material (contacts)	Copper alloy
Surface (contacts)	Silver plated
Material flammability class acc. to UL 94	V-0

Specifications and approvals

Specifications	IEC 60664-1 IEC 61984
Approvals	DNV GL
UL / CSA	UL 1977 ECBT2.E235076 UL 2237 PVVA2.E318390 CSA-C22.2 No. 182.3 PVVA8.E318390

Commercial data

Packaging size	1
Net weight	51.1 g
Country of origin	China
European customs tariff number	85366990
GTIN	5713140186057
eCl@ss	27440205 Contact insert for industrial connectors

X-ON Electronics

Largest Supplier of Electrical and Electronic Components

Click to view similar products for [Heavy Duty Power Connectors](#) category:

Click to view products by [HARTING](#) manufacturer:

Other Similar products are found below :

[6646058-2](#) [6646137-1](#) [6646138-1](#) [6646940-1](#) [6651091-1](#) [6651525-1](#) [6651529-1](#) [696475-1](#) [702-32-01109](#) [73080255059](#) [73080965046](#)
[7310205040001](#) [765-16-0080B](#) [765-18-0080D](#) [902-77-02113](#) [PS00/A0620/6300](#) [AN0024023](#) [154-42B7WM250](#) [MS3117-14AC](#) [1643543-1](#)
[1766966-1](#) [1791340000](#) [NLDFT-3-BL-L-S120-M40A](#) [NLDFT-N-W-L-C240-M40B](#) [1926015-1](#) [NLS-3-BL-C240-M40B](#) [NLS-N-W-C240-](#)
[M40B](#) [NPS-3-BL-T6](#) [2-1589900-8](#) [9300480317](#) [294-0091-01100](#) [296-0040-01100](#) [1-6609148-0](#) [A32595-0049](#) [1766249-1](#) [19000005132](#)
[1926016-1](#) [1-966831-8](#) [AN0024202](#) [AN0264023](#) [279-0841-10100A](#) [281-0334-00100A](#) [RMSB4](#) [419-2083-301](#) [LCDX4/0-14B-X](#) [075-8519-](#)
[001](#) [078238-1613](#) [07.470.3256.0](#) [09000005288](#) [09140240311](#)