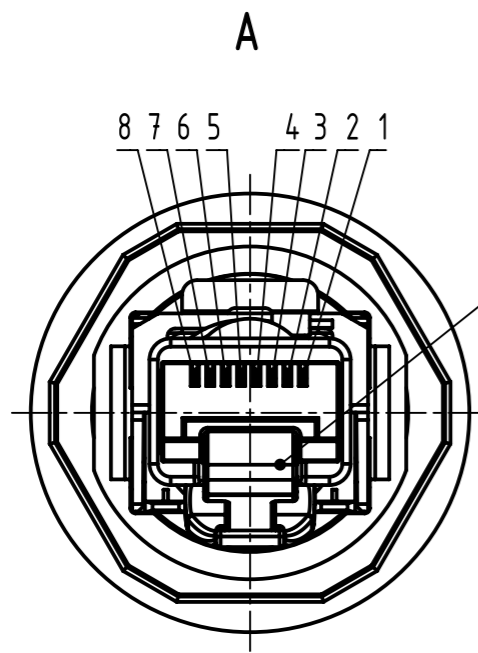
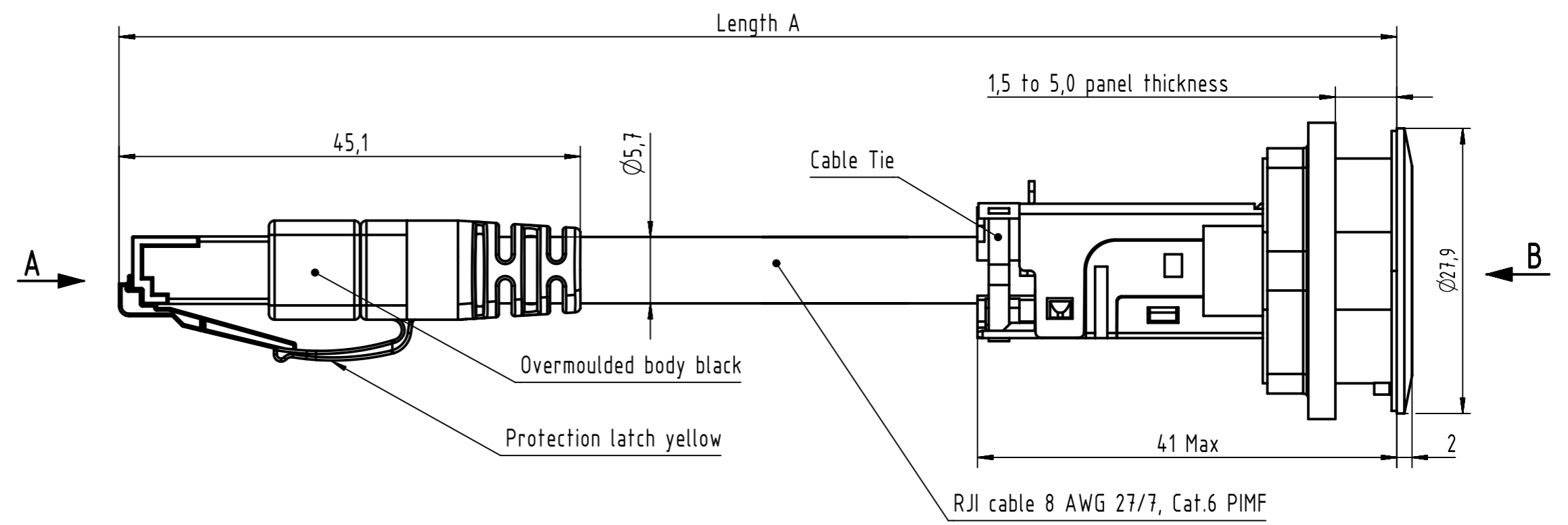
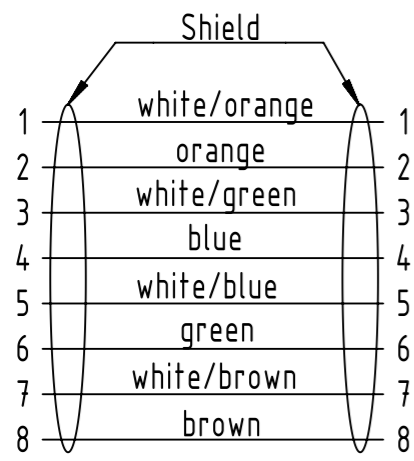
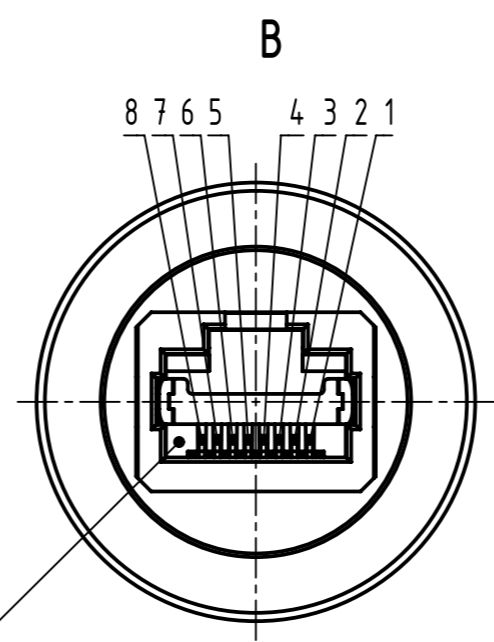


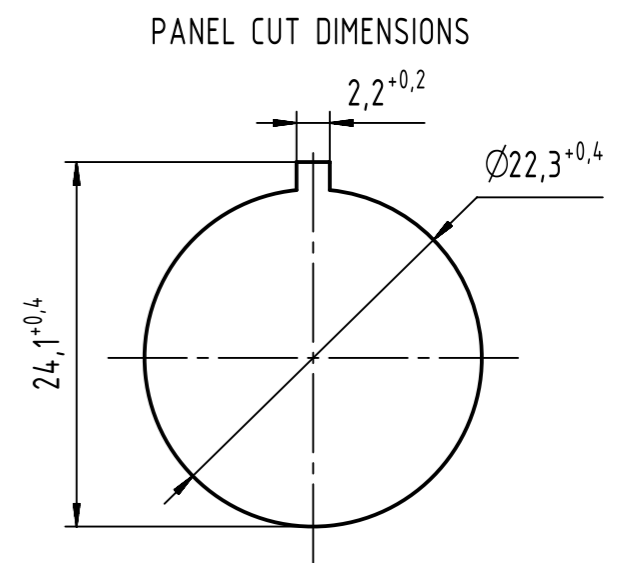
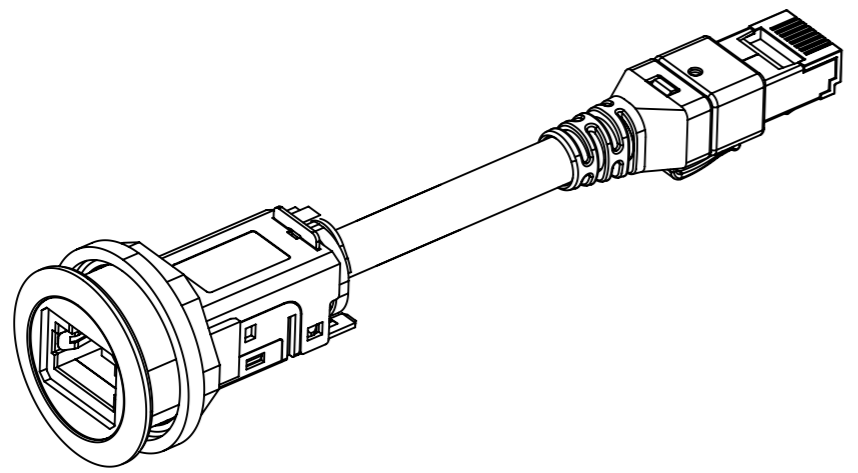
Loading-Plan  
acc. to TIA/EIA 568B



Mating face RJ45 Plug  
according to IEC 60603-7

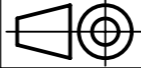


Mating face RJ45 Jack  
according to IEC 60603-7



	All rights reserved		Created by		Inspected by		Standardisation		Date		State		
	Department EL PD		FARCASIU		PRIESTER		HOFFMANN		2018-10-12		Final Release		
HARTING Electronics GmbH		Title har-port RJ45 coupler Cat.6 AWG 27/7										Doc-Key / ECM-Nr. 100222229/UGD/002/E 50000014.1187	
D-32339 Espelkamp		Type TB		Number 094545215XX				Rev. E		Page 1/2			

Line No.	Part number	Type of cable	Length A (m)
1	09 45 452 1500	har-port RJ45 IP20 coupler Cat.6 PFT cable jack silver	0,15 (+/-0,03)
2	09 45 452 1501	har-port RJ45 IP20 coupler Cat.6 PFT cable jack silver	0,20 (+/-0,04)
3	09 45 452 1502	har-port RJ45 IP20 coupler Cat.6 PFT cable jack silver	0,30 (+/-0,06)
4	09 45 452 1503	har-port RJ45 IP20 coupler Cat.6 PFT cable jack silver	0,40 (+/-0,08)
5	09 45 452 1504	har-port RJ45 IP20 coupler Cat.6 PFT cable jack silver	0,50 (+/-0,10)
6	09 45 452 1505	har-port RJ45 IP20 coupler Cat.6 PFT cable jack silver	0,60 (+/-0,12)
7	09 45 452 1506	har-port RJ45 IP20 coupler Cat.6 PFT cable jack silver	0,70 (+/-0,14)
8	09 45 452 1507	har-port RJ45 IP20 coupler Cat.6 PFT cable jack silver	0,80 (+/-0,16)
9	09 45 452 1508	har-port RJ45 IP20 coupler Cat.6 PFT cable jack silver	0,90 (+/-0,18)
10	09 45 452 1509	har-port RJ45 IP20 coupler Cat.6 PFT cable jack silver	1,0 (+/-0,20)
11	09 45 452 1510	har-port RJ45 IP20 coupler Cat.6 PFT cable jack silver	1,5 (+/-0,075)
12	09 45 452 1511	har-port RJ45 IP20 coupler Cat.6 PFT cable jack silver	2,0 (+/-0,10)
13	09 45 452 1512	har-port RJ45 IP20 coupler Cat.6 PFT cable jack silver	2,5 (+/-0,125)
14	09 45 452 1513	har-port RJ45 IP20 coupler Cat.6 PFT cable jack silver	3,0 (+/-0,15)
15	09 45 452 1514	har-port RJ45 IP20 coupler Cat.6 PFT cable jack silver	3,5 (+/-0,175)
16	09 45 452 1515	har-port RJ45 IP20 coupler Cat.6 PFT cable jack silver	4,0 (+/-0,20)
17	09 45 452 1516	har-port RJ45 IP20 coupler Cat.6 PFT cable jack silver	5,0 (+/-0,25)
18	09 45 452 1517	har-port RJ45 IP20 coupler Cat.6 PFT cable jack silver	7,5 (+/-0,375)
19	09 45 452 1518	har-port RJ45 IP20 coupler Cat.6 PFT cable jack silver	10,0 (+/-0,50)
20	09 45 452 1519	har-port RJ45 IP20 coupler Cat.6 PFT cable jack silver	4,5 (+/-0,225)
21			
22	09 45 452 1530	har-port RJ45 IP20 coupler Cat.6 PFT cable jack black	0,15 (+/-0,03)
23	09 45 452 1531	har-port RJ45 IP20 coupler Cat.6 PFT cable jack black	0,20 (+/-0,04)
24	09 45 452 1532	har-port RJ45 IP20 coupler Cat.6 PFT cable jack black	0,30 (+/-0,06)
25	09 45 452 1533	har-port RJ45 IP20 coupler Cat.6 PFT cable jack black	0,40 (+/-0,08)
26	09 45 452 1534	har-port RJ45 IP20 coupler Cat.6 PFT cable jack black	0,50 (+/-0,10)
27	09 45 452 1535	har-port RJ45 IP20 coupler Cat.6 PFT cable jack black	0,60 (+/-0,12)
28	09 45 452 1536	har-port RJ45 IP20 coupler Cat.6 PFT cable jack black	0,70 (+/-0,14)
29	09 45 452 1537	har-port RJ45 IP20 coupler Cat.6 PFT cable jack black	0,80 (+/-0,16)
30	09 45 452 1538	har-port RJ45 IP20 coupler Cat.6 PFT cable jack black	0,90 (+/-0,18)
31	09 45 452 1539	har-port RJ45 IP20 coupler Cat.6 PFT cable jack black	1,0 (+/-0,20)
32	09 45 452 1540	har-port RJ45 IP20 coupler Cat.6 PFT cable jack black	1,5 (+/-0,075)
33	09 45 452 1541	har-port RJ45 IP20 coupler Cat.6 PFT cable jack black	2,0 (+/-0,10)
34	09 45 452 1542	har-port RJ45 IP20 coupler Cat.6 PFT cable jack black	2,5 (+/-0,125)
35	09 45 452 1543	har-port RJ45 IP20 coupler Cat.6 PFT cable jack black	3,0 (+/-0,15)
36	09 45 452 1544	har-port RJ45 IP20 coupler Cat.6 PFT cable jack black	3,5 (+/-0,175)
37	09 45 452 1545	har-port RJ45 IP20 coupler Cat.6 PFT cable jack black	4,0 (+/-0,20)
38	09 45 452 1546	har-port RJ45 IP20 coupler Cat.6 PFT cable jack black	5,0 (+/-0,25)
39	09 45 452 1547	har-port RJ45 IP20 coupler Cat.6 PFT cable jack black	7,5 (+/-0,375)
40	09 45 452 1548	har-port RJ45 IP20 coupler Cat.6 PFT cable jack black	10,0 (+/-0,50)

	All Dimensions in mm Original Size DIN A3	Scale 1:1	Free size tol.	Ref.
	All rights reserved Department EL PD	Created by FARCASIU	Inspected by PRIESTER	Standardisation HOFFMANN
HARTING Electronics GmbH D-32339 Espelkamp		Title har-port RJ45 coupler Cat.6 AWG 27/7		Date 2018-10-12
		Type TB	Number 094545215XX	State Final Release
			Doc-Key / ECM-Nr. 10022229/UGD/002/E 5000014.1187	Page 2/2
			Rev. E	

## X-ON Electronics

Largest Supplier of Electrical and Electronic Components

*Click to view similar products for [Ethernet Cables / Networking Cables](#) category:*

*Click to view products by [HARTING](#) manufacturer:*

Other Similar products are found below :

[73-6670-7](#) [73-6680-15](#) [73-7797-25](#) [MCJB2-10P6Q7-120](#) [84909-0204](#) [1200700174](#) [1200860368](#) [E16A06002M030](#) [E200102-009-S1](#)  
[AX105346-EW](#) [MT14-187L](#) [17-103530](#) [ERWPAB3002M005](#) [190-038045-01](#) [NK5EPC18RDY](#) [NK5EPC18VLY](#) [NK5EPC18YLY](#)  
[NK5EPC1GRY](#) [NK5EPC4Y](#) [NK5EPC6YLY](#) [NK5EPC8BLY](#) [NK5EPC9YLY](#) [1969343-6](#) [C501100010](#) [C501106002](#) [C501106007](#)  
[C501106015](#) [C501106025](#) [C601102010](#) [C601104010](#) [C601106007](#) [C601106015](#) [2142758-2](#) [2168427-2](#) [CAT1106007](#) [SR02P0-26E5-15.0](#)  
[SR02S0-26E5-15.0](#) [21949-1](#) [2J1866A](#) [RJF SFTP 5E 0500](#) [AX100351](#) [MN14CEC/ST](#) [C501100015](#) [C501106004](#) [C501106010](#) [C5F1108007](#)  
[C601104004](#) [C601106004](#) [CA21106004](#) [CA21106010](#)