

HPP V4 USB 2.0 B; PFT insert

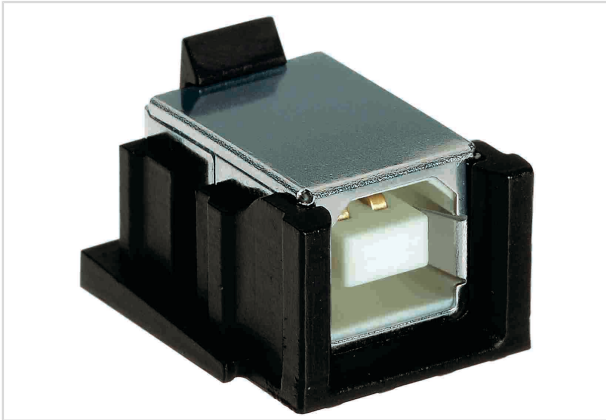


Image is for illustration purposes only. Please refer to product description.

Part number	09 45 541 1900
Specification	HPP V4 USB 2.0 B; PFT insert
HARTING eCatalogue	https://b2b.harting.com/09455411900

Identification

Category	Connectors
Series	HARTING PushPull (V4)
Identification	USB
Element	Female
Specification	USB 2.0 type B Angled

Version

Shielding	Fully shielded, 360° shielding contact
Number of contacts	4

Technical characteristics

Limiting temperature	-40 ... +70 °C
Mating cycles	≥750

Material properties

RoHS	compliant
ELV status	compliant
China RoHS	e
REACH Annex XVII substances	No
REACH ANNEX XIV substances	No
REACH SVHC substances	No
California Proposition 65 substances	Yes

Material properties

	Lead
California Proposition 65 substances	Antimony trioxide
	Naphthalene

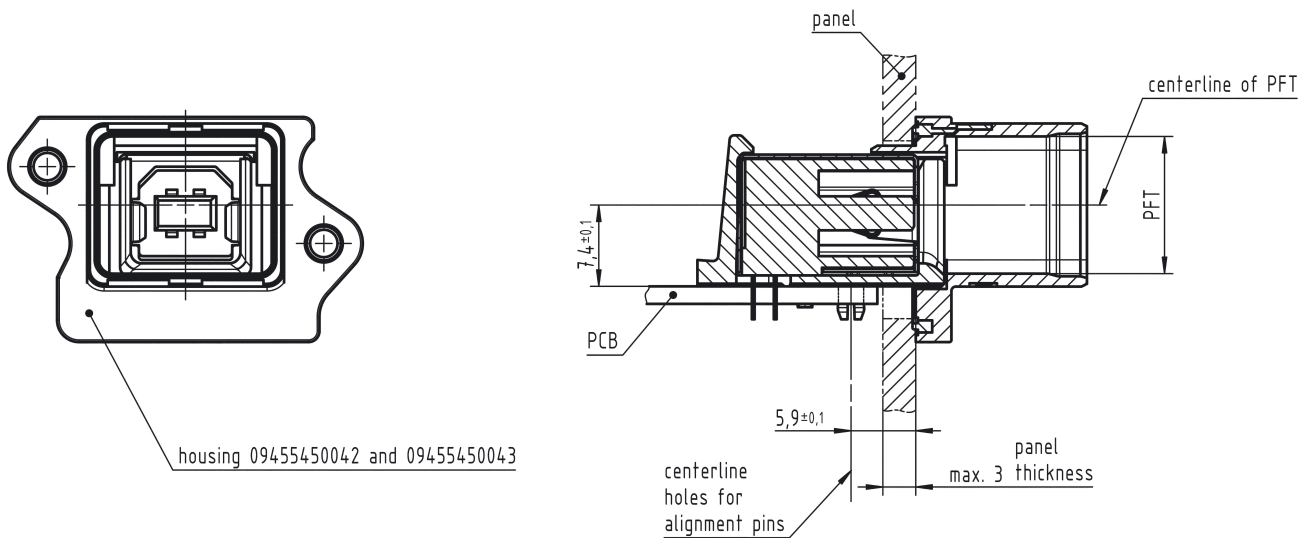
Specifications and approvals

Specifications	IEC 61076-3-106 Variant 4 (V4)
Approvals	DNV GL

Commercial data

Packaging size	1
Net weight	5.3 g
Country of origin	Germany
European customs tariff number	85366930
eCl@ss	27440205 Contact insert for industrial connectors

Mounting instruction



X-ON Electronics

Largest Supplier of Electrical and Electronic Components

Click to view similar products for [Heavy Duty Power Connectors](#) category:

Click to view products by [HARTING](#) manufacturer:

Other Similar products are found below :

[647757-1](#) [6643411-1](#) [6646058-2](#) [6646137-1](#) [6646138-1](#) [6646479-1](#) [6646608-1](#) [6646786-1](#) [6646940-1](#) [6651091-1](#) [6651525-1](#) [6651529-1](#)
[6651788-1](#) [696475-1](#) [73000005059](#) [73000005642](#) [765-15-0080A](#) [765-16-0080B](#) [829992-1](#) [902-77-02113](#) [129-1J](#) [AN0024023](#) [E6374G1](#)
[e6389g2](#) [157-43GW8](#) [MS3117-14AC](#) [1643543-1](#) [1650540-1](#) [1651811-2](#) [1766260-1](#) [1766282-1](#) [1766966-1](#) [1791340000](#) [NLDFT-3-BL-L-](#)
[S120-M40A](#) [NLDFT-N-W-L-C240-M40B](#) [NLS-2-R-C240-M40B](#) [NLS-N-W-C240-M40B](#) [NPS-3-BL-T6](#) [1986615-1](#) [2-1589900-8](#) [2199314-1](#)
[KA8102](#) [9300480317](#) [SBS50BRN#6](#) [29131](#) [29652](#) [1646905-1](#) [1648320-1](#) [1648582-1](#) [1650195-2](#)