

HPP V4 USB 2.0 A; PFT insert

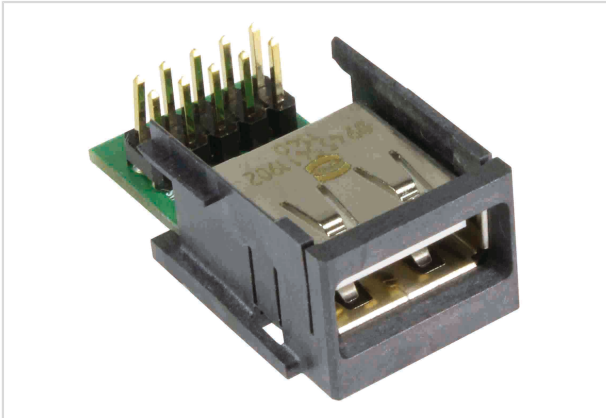


Image is for illustration purposes only. Please refer to product description.

Part number	09 45 541 1902
Specification	HPP V4 USB 2.0 A; PFT insert
HARTING eCatalogue	https://b2b.harting.com/09455411902

Identification

Category	Connectors
Series	HARTING PushPull (V4)
Identification	USB
Element	Adapter PCB
Specification	USB 2.0 type A
Adapter for	Jack to pin header

Version

Shielding	Fully shielded, 360° shielding contact
Number of contacts	4

Technical characteristics

Limiting temperature	-40 ... +70 °C
Mating cycles	≥750

Material properties

RoHS	compliant
ELV status	compliant
China RoHS	e
REACH Annex XVII substances	No
REACH ANNEX XIV substances	No
REACH SVHC substances	No
California Proposition 65 substances	Yes

Material properties

California Proposition 65 substances Naphthalene

Specifications and approvals

Specifications IEC 61076-3-106 Variant 4 (V4)

Approvals DNV GL

Commercial data

Packaging size 1

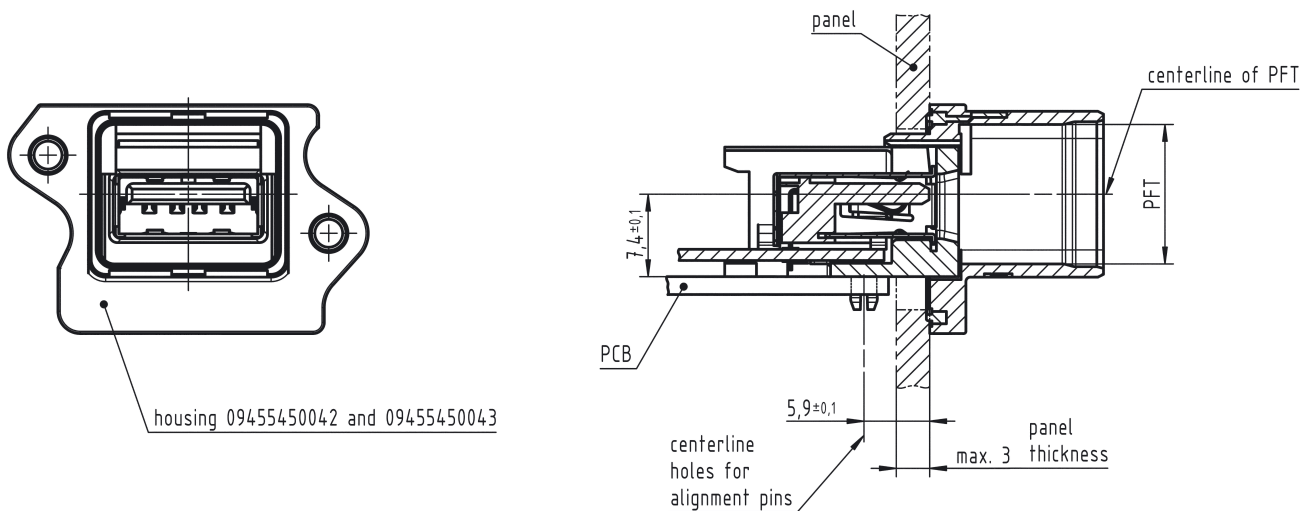
Net weight 4.44 g

Country of origin Germany

European customs tariff number 85366930

eCl@ss 27440205 Contact insert for industrial connectors

Mounting instruction



X-ON Electronics

Largest Supplier of Electrical and Electronic Components

Click to view similar products for [Heavy Duty Power Connectors](#) category:

Click to view products by [HARTING](#) manufacturer:

Other Similar products are found below :

[647757-1](#) [6643411-1](#) [6646058-2](#) [6646137-1](#) [6646138-1](#) [6646479-1](#) [6646608-1](#) [6646786-1](#) [6646940-1](#) [6651091-1](#) [6651525-1](#) [6651529-1](#)
[6651788-1](#) [696475-1](#) [73000005059](#) [73000005642](#) [765-15-0080A](#) [765-16-0080B](#) [829992-1](#) [902-77-02113](#) [129-1J](#) [AN0024023](#) [E6374G1](#)
[e6389g2](#) [157-43GW8](#) [MS3117-14AC](#) [1643543-1](#) [1650540-1](#) [1651811-2](#) [1766260-1](#) [1766282-1](#) [1766966-1](#) [1791340000](#) [NLDFT-3-BL-L-](#)
[S120-M40A](#) [NLDFT-N-W-L-C240-M40B](#) [NLS-2-R-C240-M40B](#) [NLS-N-W-C240-M40B](#) [NPS-3-BL-T6](#) [1986615-1](#) [2-1589900-8](#) [2199314-1](#)
[KA8102](#) [9300480317](#) [SBS50BRN#6](#) [29131](#) [29652](#) [1646905-1](#) [1648320-1](#) [1648582-1](#) [1650195-2](#)