

## HARTING PP mini displayport adapter



Image is for illustration purposes only. Please refer to product description.

Part number	09 45 545 1002
Specification	HARTING PP mini displayport adapter
HARTING eCatalogue	<a href="https://b2b.harting.com/09455451002">https://b2b.harting.com/09455451002</a>

### Identification

Category	Connectors
Series	HARTING PushPull (V4)
Identification	Mini DisplayPort
Element	Adapter

### Version

Shielding	Unshielded
-----------	------------

### Technical characteristics

Limiting temperature	-40 ... +80 °C
Mating cycles	≥100
Degree of protection acc. to IEC 60529	IP20 IP65 / IP67 mated condition

### Material properties

Material (hood/housing)	Polybutylene terephthalate (PBT)
Colour (hood/housing)	Black
RoHS	compliant
ELV status	compliant
China RoHS	e
REACH Annex XVII substances	No
REACH ANNEX XIV substances	No

## Material properties

REACH SVHC substances No

## Specifications and approvals

Specifications IEC 61076-3-106 Variant 4 (V4)

## Commercial data

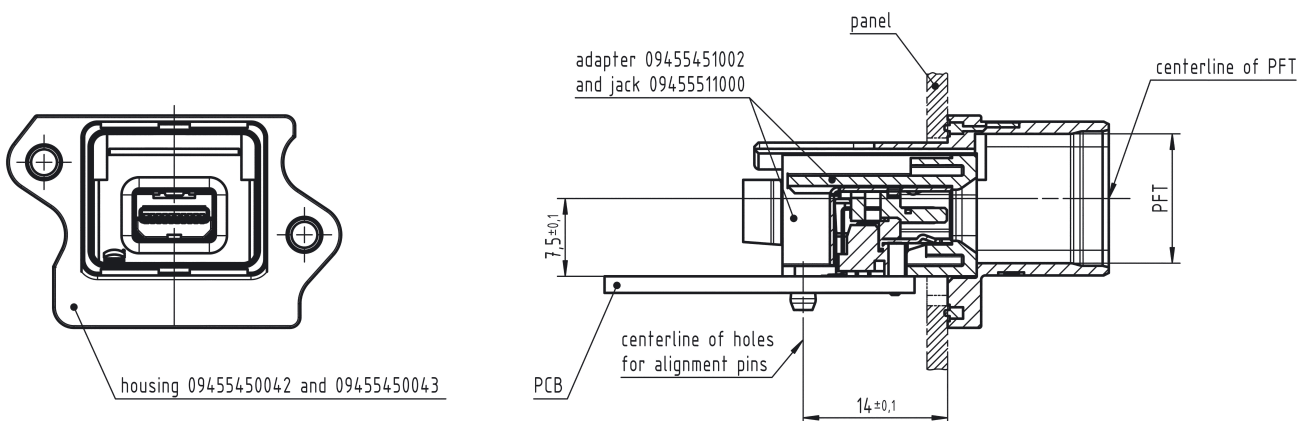
Packaging size 100

Net weight 1 g

Country of origin Taiwan

European customs tariff number 85389099

eCl@ss 27440205 Contact insert for industrial connectors



## X-ON Electronics

Largest Supplier of Electrical and Electronic Components

*Click to view similar products for [HDMI, Displayport & DVI Connectors](#) category:*

*Click to view products by [HARTING](#) manufacturer:*

Other Similar products are found below :

[1775247-3](#) [2-1932649-5](#) [30-1231](#) [30-528](#) [2069485-1](#) [30-504](#) [30-519](#) [30-542](#) [47648-2000](#) [2002-400](#) [TC142X](#) [769-103/021-000](#) [1932649-1](#)  
[233-368NFG6-17NH](#) [PJ-210A](#) [PJ-35825](#) [6321-026RDS1MWA02](#) [DV11201-H5R6-4F](#) [RPI-16337](#) [CC-MDPM-VGAM-6](#) [RPI-16338](#) [CCB-](#)  
[HDMIL-1.5M](#) [CCB-HDMIL-1M](#) [CCB-HDMIL-2M](#) [CCB-HDMIL-3M](#) [CCB-HDMIL-5M](#) [CCB-HDMIL-7.5M](#) [CCBP-HDMI-10M](#) [CCBP-](#)  
[HDMI-1M](#) [CCBP-HDMI-2M](#) [CCBP-HDMI-3M](#) [CCBP-HDMI-5M](#) [CCBP-HDMI-7.5M](#) [CCBP-HDMI8K-1M](#) [CCBP-HDMI8K-2M](#) [CCBP-](#)  
[HDMI8K-3M](#) [AK-AV-02](#) [AK-AV-03](#) [AK-AV-05](#) [AK-AV-11](#) [AK-AV-13](#) [AK-AV-15](#) [CCP-MDP2-6](#) [CCP-MDPMDP2-6](#) [AK-HD-05A](#) [AK-](#)  
[HD-100A](#) [AK-HD-100P](#) [AK-HD-15A](#) [AK-HD-15P](#) [AK-HD-15R](#)