

PP-V4-PCB-SMT-MDP-20P-J-M-ANG-SHLD

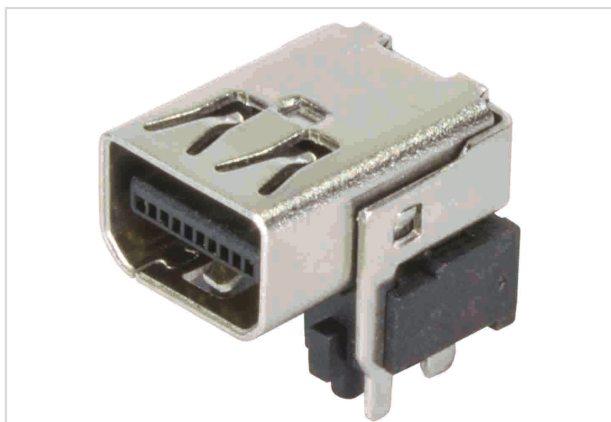


Image is for illustration purposes only. Please refer to product description.

Part number	09 45 551 1000
Specification	PP-V4-PCB-SMT-MDP-20P-J-M-ANG-SHLD
HARTING eCatalogue	https://b2b.harting.com/09455511000

Identification

Category	Connectors
Series	HARTING PushPull (V4)
Identification	Mini DisplayPort
Element	PCB jack

Version

Termination method	Reflow soldering termination (SMT)
Shielding	Fully shielded, 360° shielding contact
Number of contacts	20

Technical characteristics

Rated current	0.5 A
Rated voltage	30 V
Transmission characteristics	DisplayPort 1.3 standard
Limiting temperature	-40 ... +85 °C
Mating cycles	≥10,000
Degree of protection acc. to IEC 60529	IP20 IP65 mated condition IP67 mated condition

Material properties

Surface (contacts)	Gold plated Mating side
Layer thickness	≥1 µm
Material (hood/housing)	Polyamide (PA)

Material properties

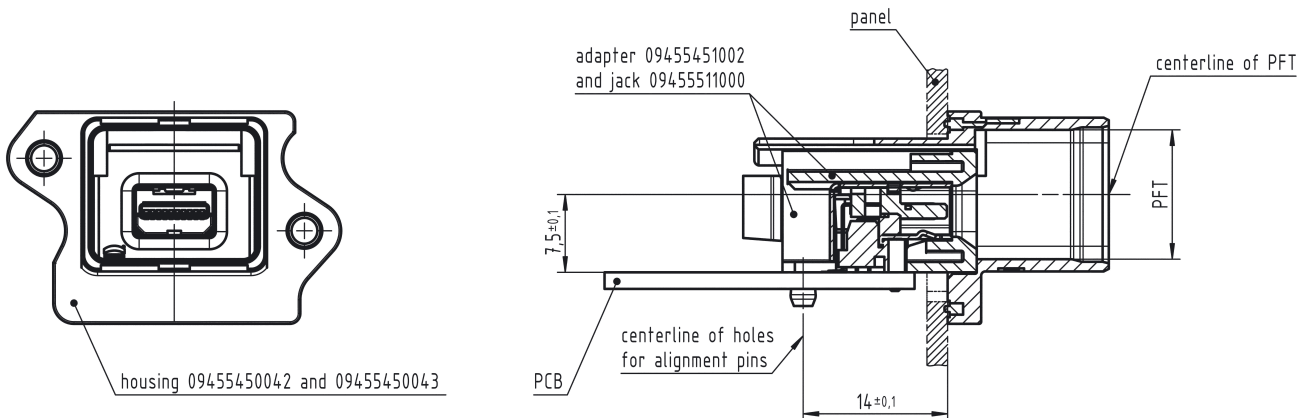
Colour (hood/housing)	Black
RoHS	compliant
ELV status	compliant
China RoHS	e
REACH Annex XVII substances	No
REACH ANNEX XIV substances	No
REACH SVHC substances	No

Specifications and approvals

Specifications	IEC 61076-3-106 Variant 4 (V4)
----------------	--------------------------------

Commercial data

Packaging size	400
Net weight	2.6 g
Country of origin	Taiwan
European customs tariff number	85366990
eCl@ss	27440205 Contact insert for industrial connectors



X-ON Electronics

Largest Supplier of Electrical and Electronic Components

Click to view similar products for [HDMI, Displayport & DVI Connectors](#) category:

Click to view products by [HARTING](#) manufacturer:

Other Similar products are found below :

[1775247-3](#) [2-1932649-5](#) [30-1231](#) [30-528](#) [2069485-1](#) [30-504](#) [30-519](#) [30-542](#) [47648-2000](#) [2002-400](#) [TC142X](#) [769-103/021-000](#) [1932649-1](#)
[233-368NFG6-17NH](#) [PJ-210A](#) [PJ-35825](#) [6321-026RDS1MWA02](#) [DV11201-H5R6-4F](#) [RPI-16337](#) [CC-MDPM-VGAM-6](#) [RPI-16338](#) [CCB-](#)
[HDMIL-1.5M](#) [CCB-HDMIL-1M](#) [CCB-HDMIL-2M](#) [CCB-HDMIL-3M](#) [CCB-HDMIL-5M](#) [CCB-HDMIL-7.5M](#) [CCBP-HDMI-10M](#) [CCBP-](#)
[HDMI-1M](#) [CCBP-HDMI-2M](#) [CCBP-HDMI-3M](#) [CCBP-HDMI-5M](#) [CCBP-HDMI-7.5M](#) [CCBP-HDMI8K-1M](#) [CCBP-HDMI8K-2M](#) [CCBP-](#)
[HDMI8K-3M](#) [AK-AV-02](#) [AK-AV-03](#) [AK-AV-05](#) [AK-AV-06](#) [AK-AV-10](#) [AK-AV-11](#) [AK-AV-13](#) [AK-AV-15](#) [CCP-MDP2-6](#) [CCP-](#)
[MDPMDP2-6](#) [AK-HD-05A](#) [AK-HD-100A](#) [AK-HD-100P](#) [AK-HD-10M](#)