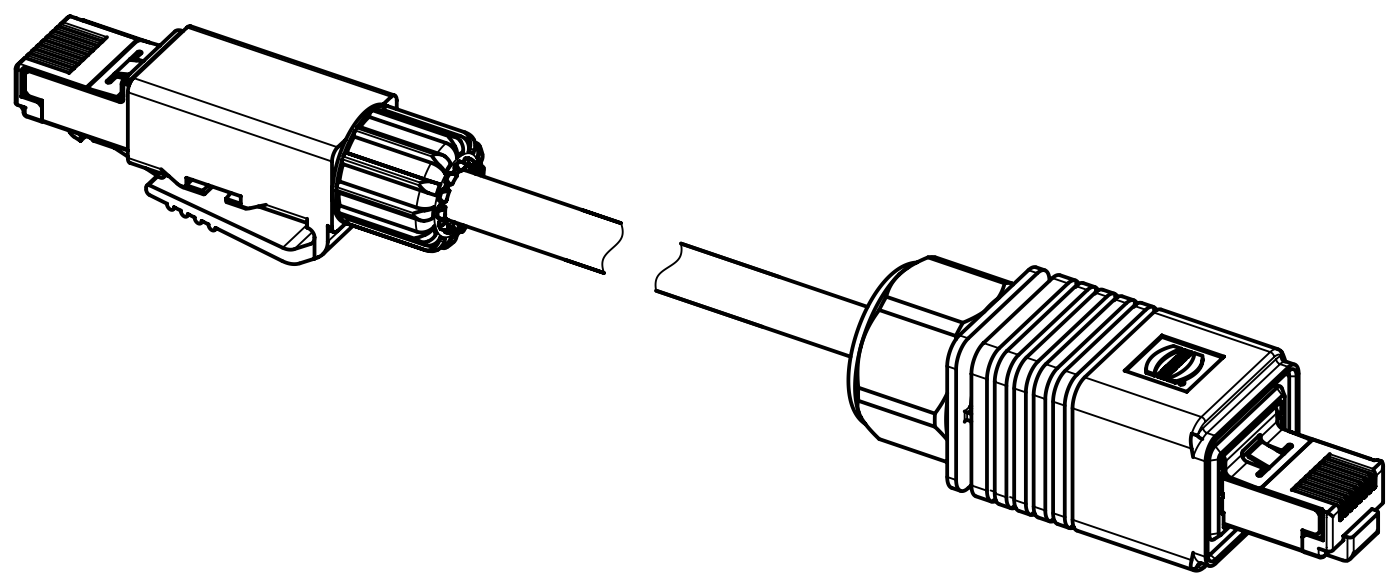
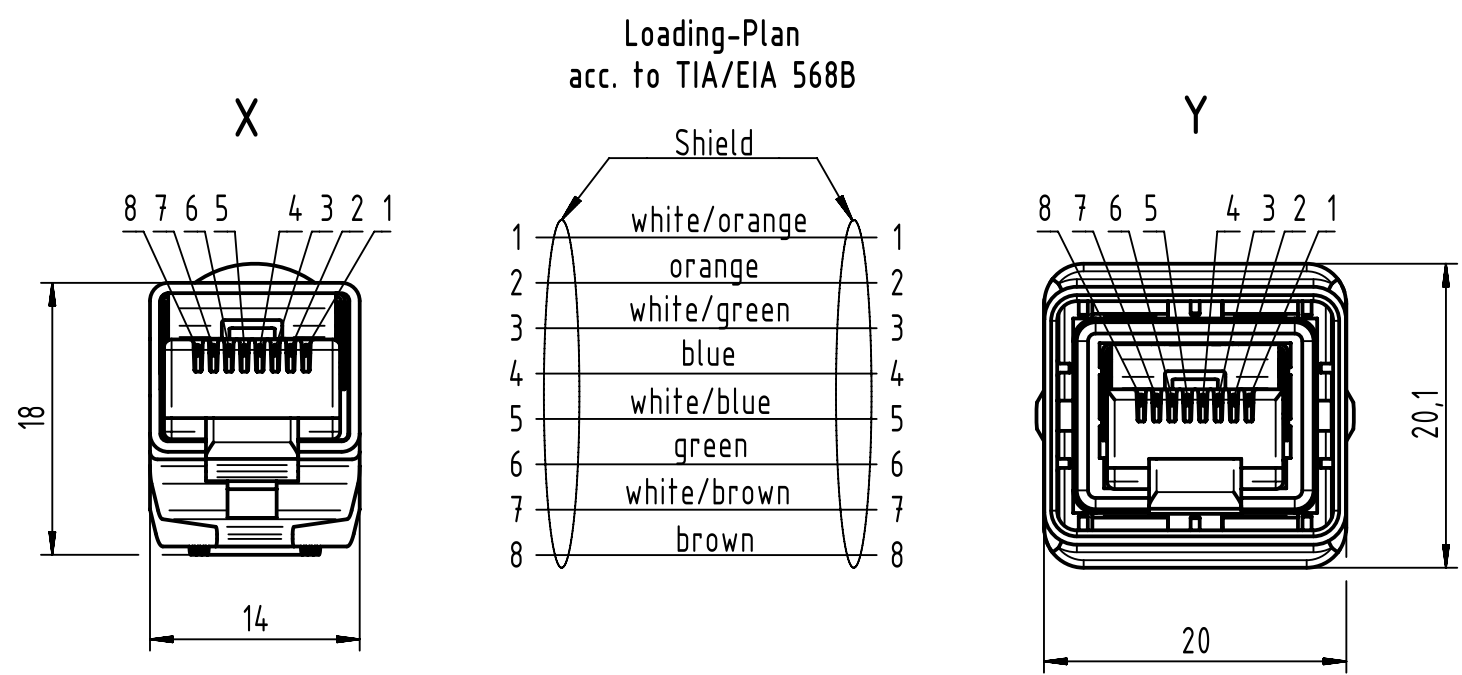





-Temperature range: static condition -20°C ...+70°C



	All rights reserved		Created by		Inspected by		Standardisation		Date		State	
	Department EC PD - RO		MUNTEANV		AVRAM		HOFFMANN		2016-03-04		Final Release	
HARTING Electronics GmbH		Title						Doc-Key / ECM-Nr.		Rev.		Page
D-32339 Espelkamp		RJ Industrial Cable Assembly						100121364/UGD/011/J		J	1/2	
		Type		Number								
		TB		09457011YYY								

1	2	3	4	5	6	7	8																								
A																															
B	35	09457011523	RJ45 Ethernet stranded cable, AWG 26/7, 4x2x0.5/1.0, PVC, Cat. 6A, yellow	100	6.6																										
	34	09457011525		70																											
	33	09457011522		50																											
	32	09457011524		30																											
	31	09457011521		25																											
	30	09457011514		20																											
	29	09457011513		15																											
	28	09457011512		10																											
	27	09457011519		9																											
	26	09457011518		8																											
	25	09457011517		7																											
	24	09457011520		6																											
	23	09457011511		5																											
	22	09457011516		4																											
	21	09457011510		3																											
C	D																														
	20	09457011515		2																											
	19	09457011509	1.5																												
	18	09457011508	1																												
	17	09457011507	0.5																												
	16	09457011118	RJ45 Ethernet stranded cable, 4x2xAWG 26/7, outdoor, PVC, Cat. 5, black	50	6.7																										
	15	09457011117		35																											
	14	09457011116		20																											
	13	09457011115		15																											
	12	09457011114		10																											
	11	09457011113		9																											
	10	09457011112		8																											
	9	09457011111		7																											
	8	09457011110		6																											
	7	09457011109		5																											
	6	09457011108		4																											
	5	09457011107		3																											
	4	09457011106		2																											
	3	09457011105		1.5																											
	2	09457011104		1																											
	1	09457011103		0.5																											
E																															
F	Cont. no.	Part no.	Type of cable	Dim. a[m]	Dim. d[mm]	<table border="1"> <tr> <td></td> <td>All rights reserved Department EC PD - RO</td> <td>Created by MUNTEANV</td> <td>Inspected by AVRAM</td> <td>Standardisation HOFFMANN</td> <td>Date 2016-03-04</td> <td>State Final Release</td> <td>Ref. Sub.</td> </tr> <tr> <td colspan="5">Title RJ Industrial Cable Assembly</td> <td colspan="2">Doc-Key / ECM-Nr. 100121364/UGD/011/J 500000101300</td> <td></td> </tr> <tr> <td colspan="2">HARTING Electronics GmbH D-32339 Espelkamp</td> <td>Type TB</td> <td colspan="2">Number 09457011YYYY</td> <td>Rev. J</td> <td>Page 2/2</td> <td></td> </tr> </table>			All rights reserved Department EC PD - RO	Created by MUNTEANV	Inspected by AVRAM	Standardisation HOFFMANN	Date 2016-03-04	State Final Release	Ref. Sub.	Title RJ Industrial Cable Assembly					Doc-Key / ECM-Nr. 100121364/UGD/011/J 500000101300			HARTING Electronics GmbH D-32339 Espelkamp		Type TB	Number 09457011YYYY		Rev. J	Page 2/2	
	All rights reserved Department EC PD - RO	Created by MUNTEANV	Inspected by AVRAM	Standardisation HOFFMANN	Date 2016-03-04	State Final Release	Ref. Sub.																								
Title RJ Industrial Cable Assembly					Doc-Key / ECM-Nr. 100121364/UGD/011/J 500000101300																										
HARTING Electronics GmbH D-32339 Espelkamp		Type TB	Number 09457011YYYY		Rev. J	Page 2/2																									
	1																														

X-ON Electronics

Largest Supplier of Electrical and Electronic Components

Click to view similar products for [Ethernet Cables / Networking Cables](#) category:

Click to view products by [HARTING](#) manufacturer:

Other Similar products are found below :

[73-6670-7](#) [73-6680-15](#) [73-7797-25](#) [MCJB2-10P6Q7-120](#) [84909-0204](#) [1200700174](#) [1200860368](#) [E16A06002M030](#) [E200102-009-S1](#)
[AX105346-EW](#) [MT14-187L](#) [17-103530](#) [ERWPAB3002M005](#) [190-038045-01](#) [NK5EPC18RDY](#) [NK5EPC18VLY](#) [NK5EPC18YLY](#)
[NK5EPC1GRY](#) [NK5EPC4Y](#) [NK5EPC6YLY](#) [NK5EPC8BLY](#) [NK5EPC9YLY](#) [1969343-6](#) [C501100010](#) [C501106002](#) [C501106007](#)
[C501106015](#) [C501106025](#) [C601102010](#) [C601104010](#) [C601106007](#) [C601106015](#) [2142758-2](#) [2168427-2](#) [CAT1106007](#) [SR02P0-26E5-15.0](#)
[SR02S0-26E5-15.0](#) [21949-1](#) [2J1866A](#) [RJF SFTP 5E 0500](#) [AX100351](#) [MN14CEC/ST](#) [C501100015](#) [C501106004](#) [C501106010](#) [C5F1108007](#)
[C601104004](#) [C601106004](#) [CA21106004](#) [CA21106010](#)