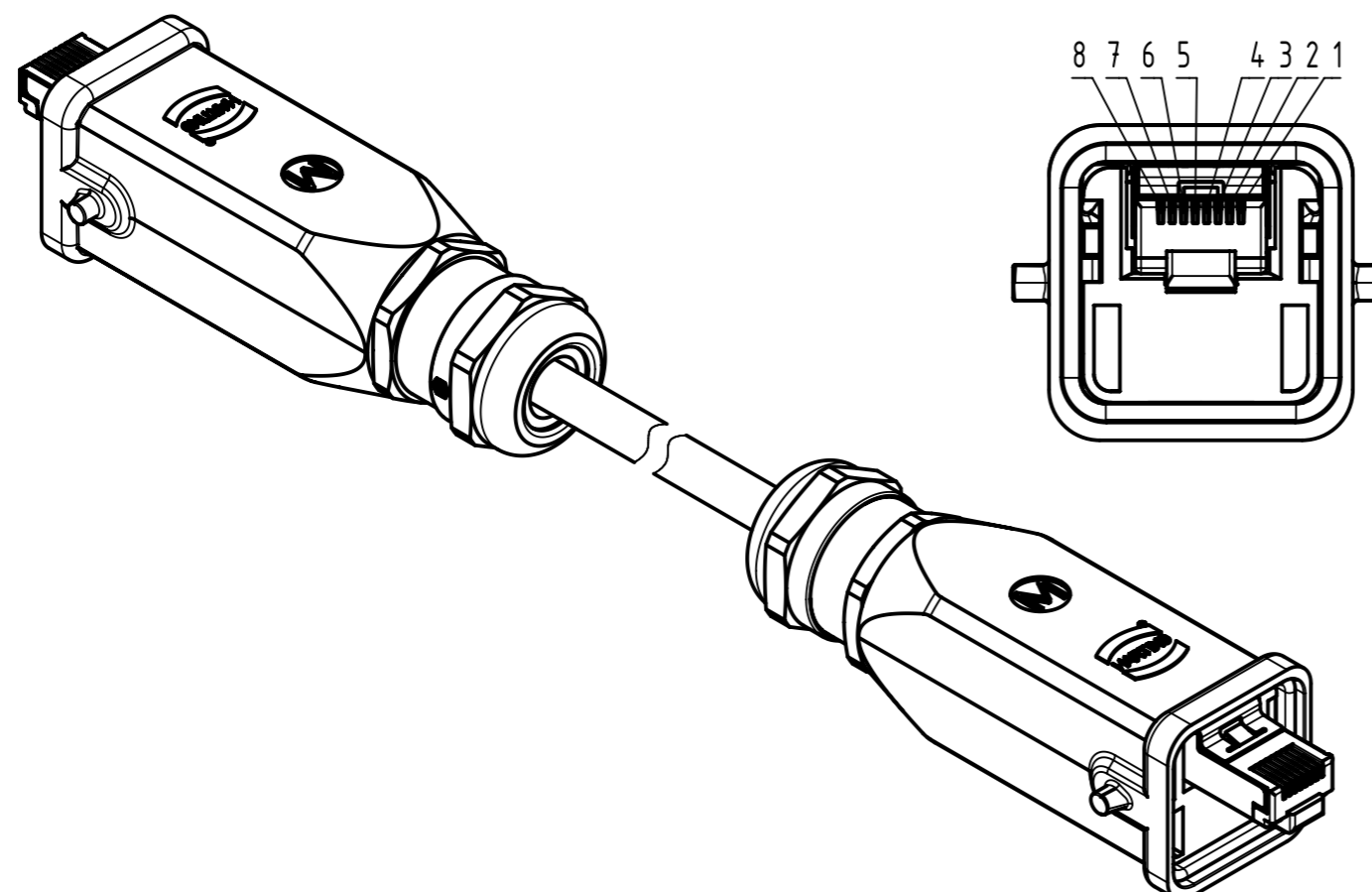
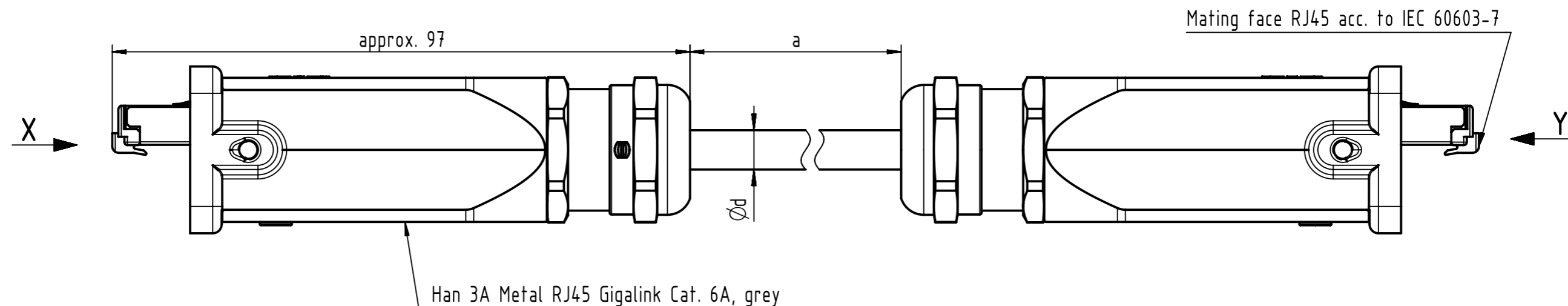
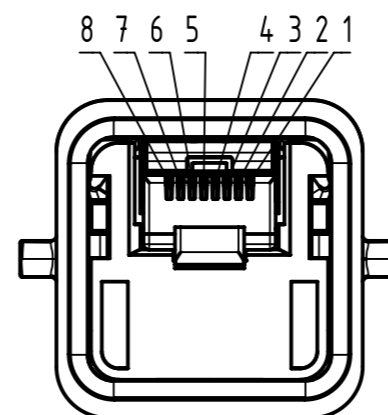


Connector Location A

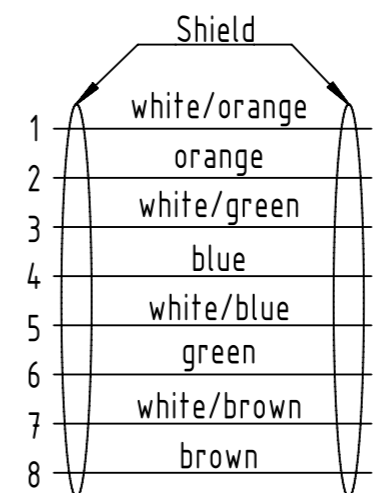
Connector Location B



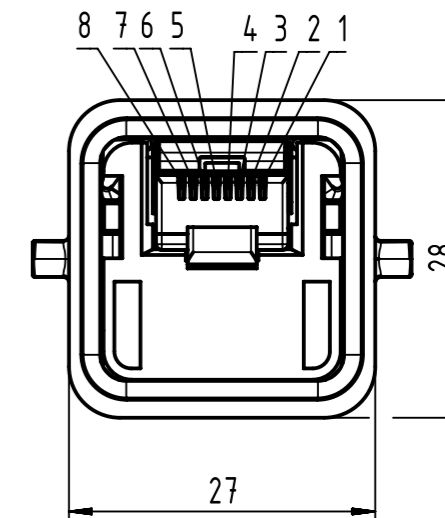
X
male



Loading Plan
acc. to TIA/EIA 568B



Y
male

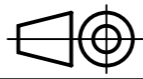



- Protection level: IP65/67
- Temperature range: see next page

All Dimensions in mm		Tech. Character.		Free size tol.		According to production drawing	
	All rights reserved		Created by COSTEA Costea	Inspected by 402676 Gross	Standardisation MUNTEANV Muntean	Date 2020-05-06	State Final Release
	Department HCS - RO		Title Han 3A RJ45 Cable Assembly				Doc-Key / ECM-Nr. 100155415/UGD/012/K 500000173178
HARTING Customised Solutions D-32339 Espelkamp			Type TB	Number 094571515XX		Rev. K	Page 1/2

Cont. no.	Part no.	Type of cable	Dim. d [mm]	Temp. range	Dim. a[m]
36	09457151578	RJ45 Ethernet Stranded Cable, 4x2xAWG 26/7, PUR, Cat. 6A, yellow	Ø6.7	- Fixed installation: -40°C ... +70°C - Dynamic installation: -40°C ... +70°C	100*
35	09457151577				40
34	09457151576				30
33	09457151575				25
32	09457151574				20
31	09457151573				15
30	09457151572				10
29	09457151571				9
28	09457151570				8
27	09457151569				7
26	09457151568				6
25	09457151567				5
24	09457151566				4
23	09457151565				3
22	09457151564				2
21	09457151563				1.5
20	09457151562				1
19	09457151561				0.5
18	09457151553				RJ45 Ethernet Stranded Cable, 4x2xAWG 26/7, PVC, Cat. 6A, yellow
17	09457151552	15			
16	09457151551	10			
15	09457151532	30			
14	09457151531	9			
13	09457151530	8			
12	09457151529	7			
11	09457151528	6			
10	09457151527	5			
9	09457151535	4.4			
8	09457151526	4			
7	09457151534	3.4			
6	09457151525	3			
5	09457151533	2.2			
4	09457151524	2			
3	09457151523	1.5			
2	09457151522	1			
1	09457151521	0.5			

NOTE:
* Ethernet transmission possible for lengths up to 45m

50	09457151594	RJ45 Ethernet Stranded Cable, 4x2xAWG 26/7, PVC, outdoor, Cat. 6A, black	Ø6.6	- Fixed installation: -20°C ... +70°C - Dynamic installation: -20°C ... +70°C	20			
49	09457151593				15			
48	09457151592				10			
47	09457151591				9			
46	09457151590				8			
45	09457151589				7			
44	09457151588				6			
43	09457151587				5			
42	09457151586				4			
41	09457151585				3			
40	09457151584				2			
39	09457151583				1.5			
38	09457151582				1			
37	09457151581				0.5			
Cont. no.	Part no.				Type of cable	Dim. d [mm]	Temp. range	Dim. a[m]
							All Dimensions in mm Tech. Character. Free size tol. According to production drawing	
 All rights reserved Department HCS - RO					Created by COSTEA Costea	Inspected by 402676 Gross	Standardisation MUNTEANV Muntean	Date 2020-05-06 State Final Release
HARTING Customised Solutions D-32339 Espelkamp					Title Han 3A RJ45 Cable Assembly			Doc-Key / ECM-Nr. 100155415/UGD/012/K 500000173178
					Type TB	Number 094571515XX		Rev. K Page 2/2

X-ON Electronics

Largest Supplier of Electrical and Electronic Components

Click to view similar products for [Ethernet Cables / Networking Cables](#) category:

Click to view products by [HARTING](#) manufacturer:

Other Similar products are found below :

[73-6670-7](#) [73-6680-15](#) [73-7797-25](#) [MCJB2-10P6Q7-120](#) [84909-0204](#) [1200700174](#) [1200860368](#) [E16A06002M030](#) [E200102-009-S1](#)
[AX105346-EW](#) [MT14-187L](#) [17-103530](#) [ERWPAB3002M005](#) [190-038045-01](#) [NK5EPC18RDY](#) [NK5EPC18VLY](#) [NK5EPC18YLY](#)
[NK5EPC1GRY](#) [NK5EPC4Y](#) [NK5EPC6YLY](#) [NK5EPC8BLY](#) [NK5EPC9YLY](#) [1969343-6](#) [C501100010](#) [C501106002](#) [C501106007](#)
[C501106015](#) [C501106025](#) [C601102010](#) [C601104010](#) [C601106007](#) [C601106015](#) [2142758-2](#) [2168427-2](#) [CAT1106007](#) [SR02P0-26E5-15.0](#)
[SR02S0-26E5-15.0](#) [21949-1](#) [2J1866A](#) [RJF SFTP 5E 0500](#) [AX100351](#) [MN14CEC/ST](#) [C501100015](#) [C501106004](#) [C501106010](#) [C5F1108007](#)
[C601104004](#) [C601106004](#) [CA21106004](#) [CA21106010](#)