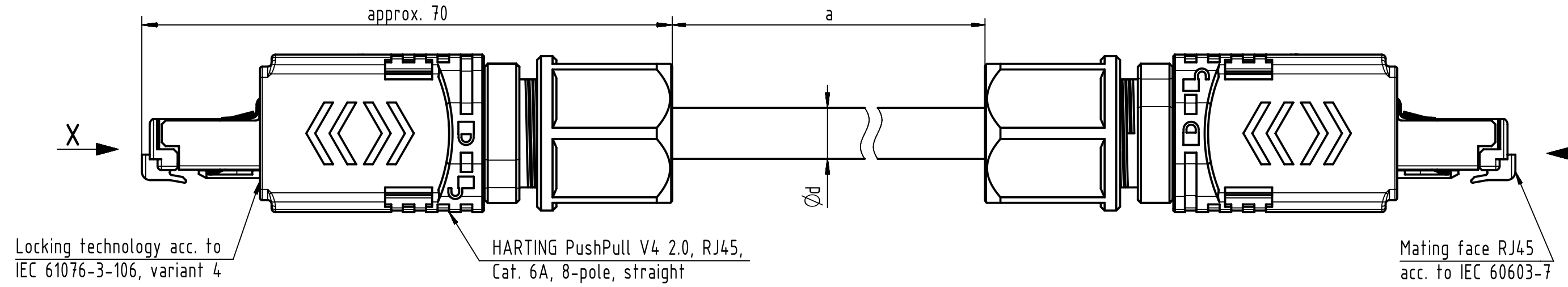


Connector Location A

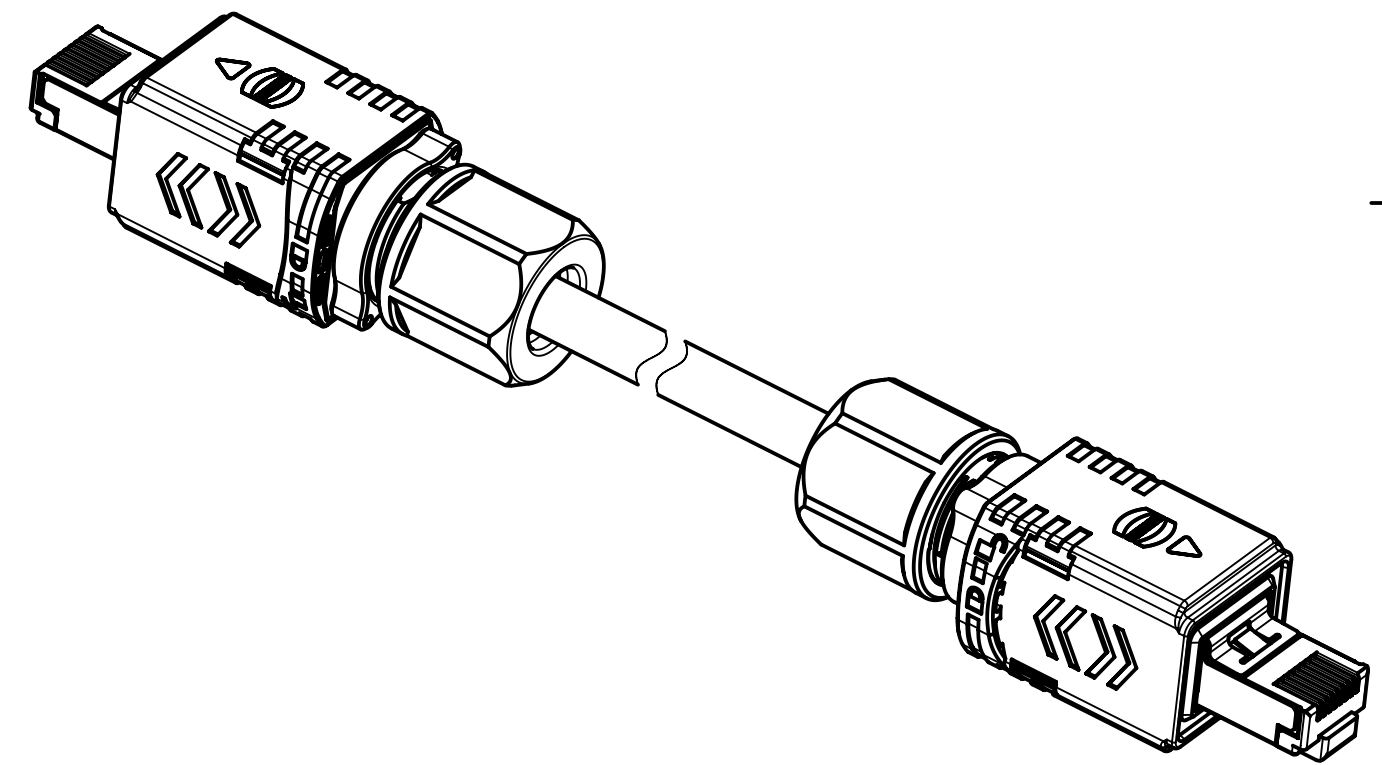
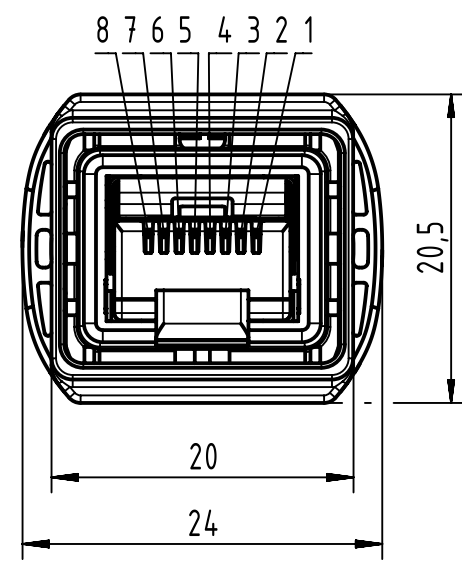
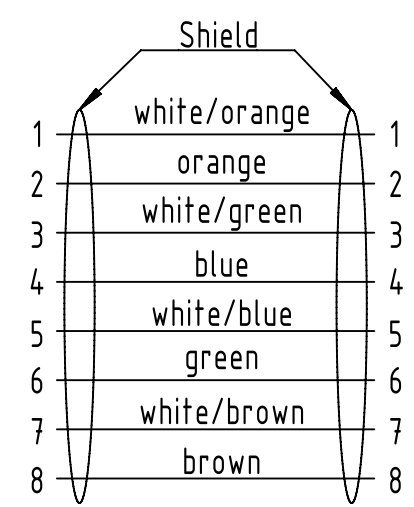
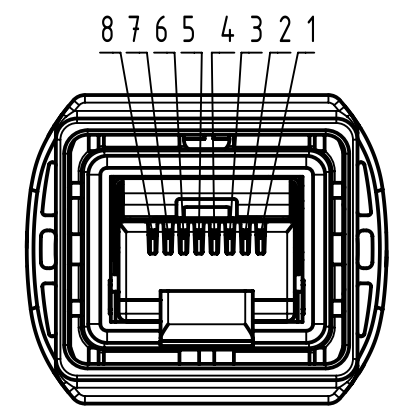
Connector Location B



X  
male

Y  
male

Loading Plan  
acc. to TIA/EIA 568B



- Protection level: IP65/67  
- Temperature range: see next page


	All rights reserved		Created by COSTEA Costea		Inspected by 402676 Gross		Standardisation MUNTEANV Muntean		Date 2020-05-14		State Final Release	
	Department HCS - RO		Title HARTING PushPull RJ45 Cable Assembly		Type TB		Number 094574XXXXX		Doc-Key / ECM-Nr. 100103494/UGD/022/J 500000173178		Rev. J Page 1/2	
HARTING Customised Solutions D-32339 Espelkamp			All Dimensions in mm    Tech. Character.    Free size tol.    According to production drawing									

1	2	3	4	5	6	7	8			
B	31	09457441537	RJI Ethernet Stranded Cable, 4x2xAWG 26/7, PUR, Cat. 6A, yellow	Ø6.7	- Fixed installation: -40°C ... +80°C - Dynamic installation: -40°C ... +80°C	35				
	30	09457441535				25				
	29	09457441534				20				
	28	09457441533				15				
	27	09457441532				10				
	26	09457441531				9				
	25	09457441530				8				
	24	09457441529				7				
	23	09457441528				6				
C	22	09457441527				5				
	21	09457441526				4				
	20	09457441525				3				
	19	09457441524				2				
	18	09457441523				1.5				
	17	09457441522				1				
	16	09457441521				0.5				
D	15	09457451536				RJI Ethernet Stranded Cable, 4x2xAWG 26/7, PVC, Cat. 6A, yellow	Ø6.6	- Fixed installation: -20°C ... +80°C - Dynamic installation: -20°C ... +80°C	50*	
	14	09457451535							35	
	13	09457451534	25							
	12	09457451553	20							
	11	09457451552	15							
	10	09457451551	10							
	9	09457451529	7							
E	8	09457451527	5							
	7	09457451526	4							
	6	09457451525	3							
	5	09457451524	2							
	4	09457451523	1.5							
	3	09457451533	0.7							
	2	09457451521	0.5							
	1	09457451532	0.25							
F	Cont. no.	Part no.	Type of cable	Dim. d [mm]	Temp. range	Dim. a[m]				
	1									

NOTE:  
\* Ethernet transmission possible for lengths up to 45m

	All rights reserved Department HCS - RO	HARTING Customised Solutions D-32339 Espelkamp	Tech. Character.	Free size tol.	According to production drawing
Created by COSTEA Costea	Inspected by 402676 Gross	Standardisation MUNTEANV Muntean	Date 2020-05-14	State Final Release	Doc-Key / ECM-Nr. 100103494/UGD/022/J 500000173178
Title HARTING PushPull RJ45 Cable Assembly			Type TB	Number 094574XXXXX	Rev. J Page 2/2

## X-ON Electronics

Largest Supplier of Electrical and Electronic Components

*Click to view similar products for [Ethernet Cables / Networking Cables](#) category:*

*Click to view products by [HARTING](#) manufacturer:*

Other Similar products are found below :

[73-6670-7](#) [73-6680-15](#) [73-7797-25](#) [MCJB2-10P6Q7-120](#) [84909-0204](#) [1200700174](#) [1200860368](#) [E16A06002M030](#) [E200102-009-S1](#)  
[AX105346-EW](#) [MT14-187L](#) [17-103530](#) [ERWPAB3002M005](#) [190-038045-01](#) [NK5EPC18RDY](#) [NK5EPC18VLY](#) [NK5EPC18YLY](#)  
[NK5EPC1GRY](#) [NK5EPC4Y](#) [NK5EPC6YLY](#) [NK5EPC8BLY](#) [NK5EPC9YLY](#) [1969343-6](#) [C501100010](#) [C501106002](#) [C501106007](#)  
[C501106015](#) [C501106025](#) [C601102010](#) [C601104010](#) [C601106007](#) [C601106015](#) [2142758-2](#) [2168427-2](#) [CAT1106007](#) [SR02P0-26E5-15.0](#)  
[SR02S0-26E5-15.0](#) [21949-1](#) [2J1866A](#) [RJF SFTP 5E 0500](#) [AX100351](#) [MN14CEC/ST](#) [C501100015](#) [C501106004](#) [C501106010](#) [C5F1108007](#)  
[C601104004](#) [C601106004](#) [CA21106004](#) [CA21106010](#)