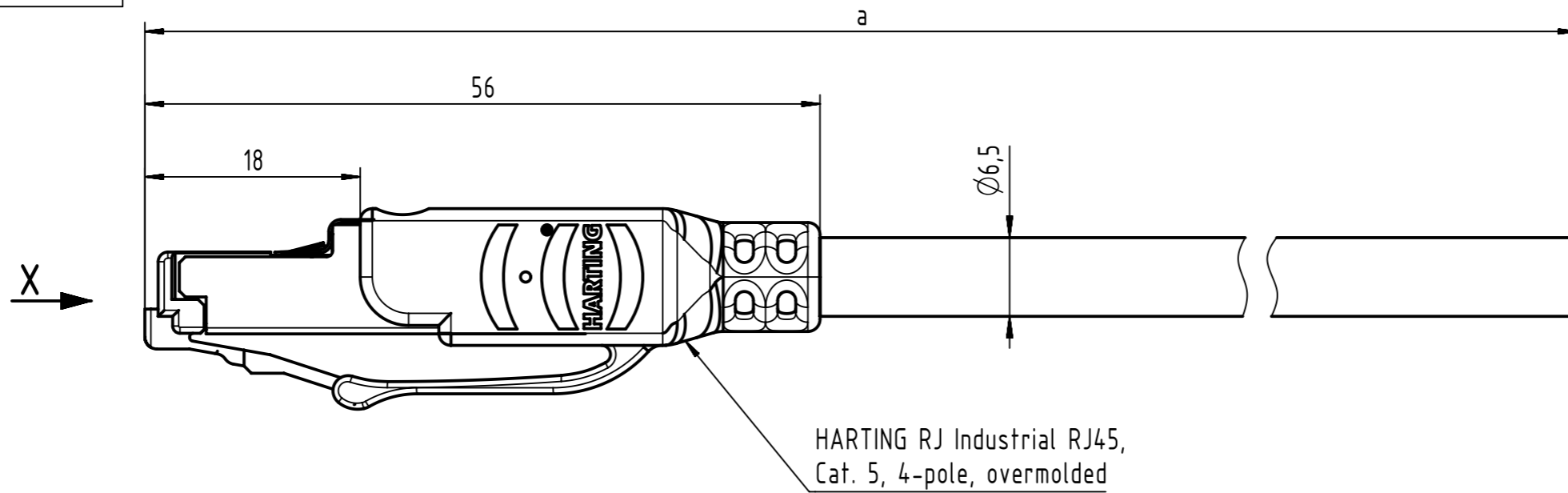
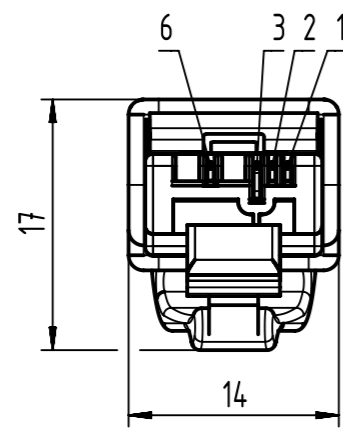


Connector Location A

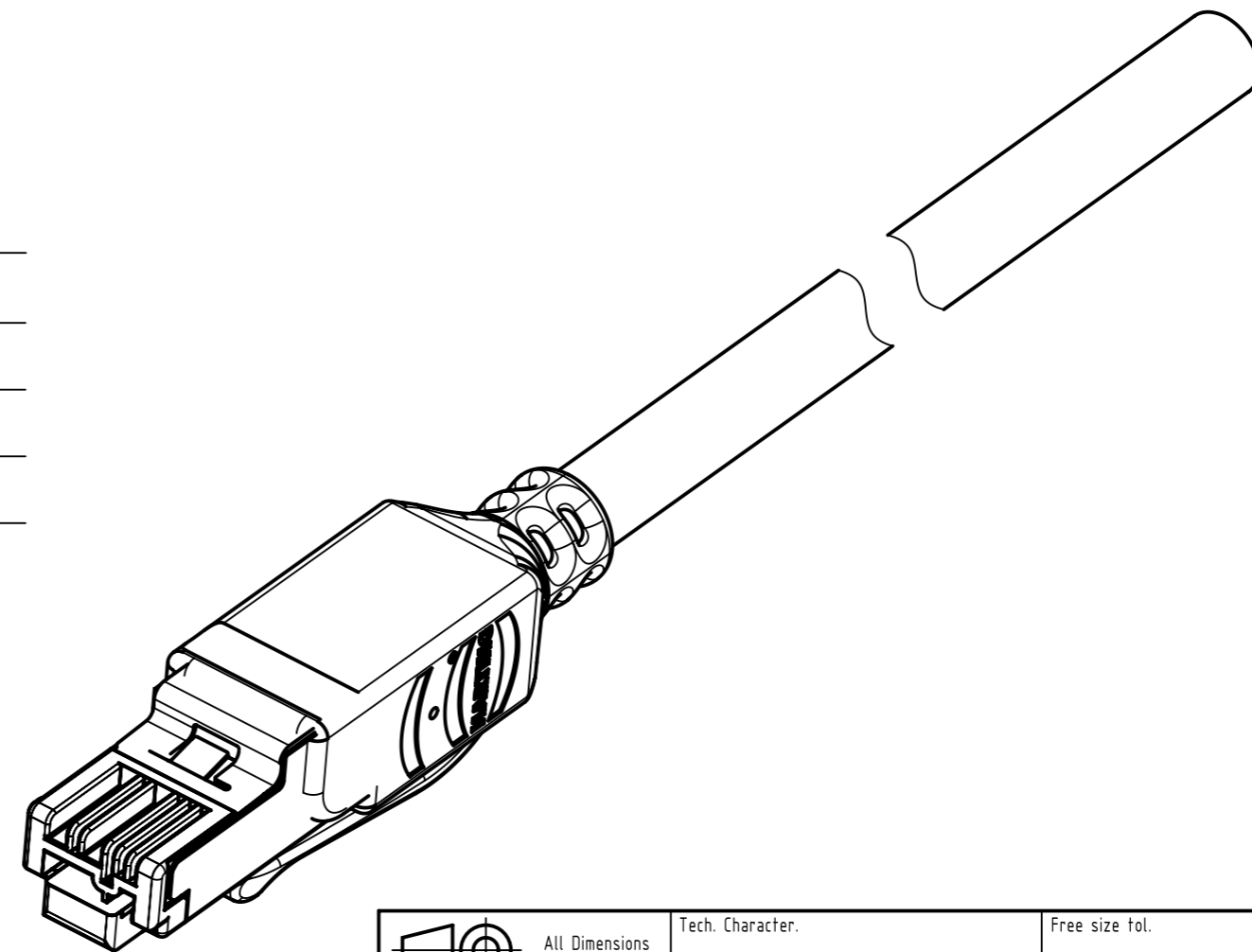
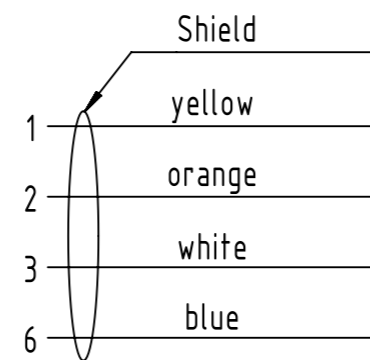
Connector Location B



X
male

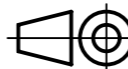



Loading-Plan



- Protection level: IP20
- Temperature range: -40°C...+70°C

	All rights reserved		Created by MUNTEANV		Inspected by MUNTEANV		Standardisation MUNTEANV		Date 2018-08-06		State Final Release	
	Department HCS - RO		Title RJ Industrial Cable Assembly						Doc-Key / ECM-Nr. 100081054/UGD/054/D 500000138467			
HARTING Customised Solutions D-32339 Espelkamp			Type TB		Number 09457710XXX				Rev. D		Page 1/2	

1	2	3	4	5	6	7	8										
A	52	09457710128	RJl Ethernet stranded cable, AWG22/7, 2x2x0.75, PVC, Cat. 5+, green	6	RJl Ethernet trailing cable, AWG22/7, 2x2x0.75, PUR, Cat. 5+, green	RJl Ethernet stranded cable, AWG22/7, 2x2x0.75, PVC, Cat. 5+, green	100										
	51	09457710127		5			90	90									
	50	09457710126		4			88	80									
	49	09457710125		3			87	70									
	48	09457710124		2			86	60									
	47	09457710123		1.5			85	50									
	46	09457710122		1			84	40									
	45	09457710121		0.5			83	30									
B	44	09457710132		100			82	25									
	43	09457710120		90			81	20									
	42	09457710119	80	80	15												
	41	09457710118	70	79	10												
	40	09457710117	60	78	9												
	39	09457710116	50	77	8												
	38	09457710115	40	76	7												
	37	09457710114	30	75	6												
	36	09457710113	20	74	5												
	35	09457710112	15	73	4												
	34	09457710111	10	72	3												
C	33	09457710110	9	71	2												
	32	09457710109	8	70	1.5												
	31	09457710108	7	69	1												
	30	09457710107	6	68	0.6												
	29	09457710106	5	67	0.5												
	28	09457710105	4	66	100												
	27	09457710104	3	65	90												
	26	09457710103	2	64	80												
	25	09457710102	1.5	63	70												
	24	09457710101	1	62	60												
	23	09457710100	0.5	61	50												
D	22	09457710083	100	60	40												
	21	09457710082	90	59	30												
	20	09457710081	80	58	20												
	19	09457710080	70	57	15												
	18	09457710079	60	56	10												
	17	09457710078	50	55	9												
	16	09457710077	40	54	8												
	15	09457710076	30	53	7												
	14	09457710075	20	Cont. no.	Part no.	Type of cable	Dim. a [m]										
	13	09457710074	15	 All Dimensions in mm <table border="1"> <tr> <td colspan="2">Tech. Character.</td> <td colspan="2">Free size tol.</td> <td colspan="2">According to production drawing</td> </tr> </table>				Tech. Character.		Free size tol.		According to production drawing					
Tech. Character.		Free size tol.		According to production drawing													
	12	09457710073	10	 All rights reserved <table border="1"> <tr> <td>Created by</td> <td>Inspected by</td> <td>Standardisation</td> <td>Date</td> <td>State</td> </tr> <tr> <td>MUNTEANV</td> <td>MUNTEANV</td> <td>MUNTEANV</td> <td>2018-08-06</td> <td>Final Release</td> </tr> </table>				Created by	Inspected by	Standardisation	Date	State	MUNTEANV	MUNTEANV	MUNTEANV	2018-08-06	Final Release
Created by	Inspected by	Standardisation	Date	State													
MUNTEANV	MUNTEANV	MUNTEANV	2018-08-06	Final Release													
	11	09457710072	9	Title RJ Industrial Cable Assembly <table border="1"> <tr> <td colspan="2">Doc-Key / ECM-Nr.</td> </tr> <tr> <td>100081054/UGD/054/D</td> <td>500000138467</td> </tr> </table>				Doc-Key / ECM-Nr.		100081054/UGD/054/D	500000138467						
Doc-Key / ECM-Nr.																	
100081054/UGD/054/D	500000138467																
	10	09457710071	8	Type TB Number 09457710XXX <table border="1"> <tr> <td>Rev.</td> <td>Page</td> </tr> <tr> <td>D</td> <td>2/2</td> </tr> </table>				Rev.	Page	D	2/2						
Rev.	Page																
D	2/2																
	9	09457710070	7	HARTING Customised Solutions <table border="1"> <tr> <td colspan="2">D-32339 Espelkamp</td> </tr> </table>				D-32339 Espelkamp									
D-32339 Espelkamp																	
	8	09457710069	6														
	7	09457710068	5														
	6	09457710067	4														
	5	09457710066	3														
	4	09457710065	2														
	3	09457710064	1.5														
	2	09457710063	1														
	1	09457710062	0.5														
F	Cont. no.	Part no.	Type of cable	Dim. a [m]													

X-ON Electronics

Largest Supplier of Electrical and Electronic Components

Click to view similar products for [Ethernet Cables / Networking Cables](#) category:

Click to view products by [HARTING](#) manufacturer:

Other Similar products are found below :

[73-6670-7](#) [73-6680-15](#) [73-7797-25](#) [MCJB2-10P6Q7-120](#) [84909-0204](#) [1200700174](#) [1200860368](#) [E16A06002M030](#) [E200102-009-S1](#)
[AX105346-EW](#) [MT14-187L](#) [17-103530](#) [ERWPAB3002M005](#) [190-038045-01](#) [NK5EPC18RDY](#) [NK5EPC18VLY](#) [NK5EPC18YLY](#)
[NK5EPC1GRY](#) [NK5EPC4Y](#) [NK5EPC6YLY](#) [NK5EPC8BLY](#) [NK5EPC9YLY](#) [1969343-6](#) [C501100010](#) [C501106002](#) [C501106007](#)
[C501106015](#) [C501106025](#) [C601102010](#) [C601104010](#) [C601106007](#) [C601106015](#) [2142758-2](#) [2168427-2](#) [CAT1106007](#) [SR02P0-26E5-15.0](#)
[SR02S0-26E5-15.0](#) [21949-1](#) [2J1866A](#) [RJF SFTP 5E 0500](#) [AX100351](#) [MN14CEC/ST](#) [C501100015](#) [C501106004](#) [C501106010](#) [C5F1108007](#)
[C601104004](#) [C601106004](#) [CA21106004](#) [CA21106010](#)