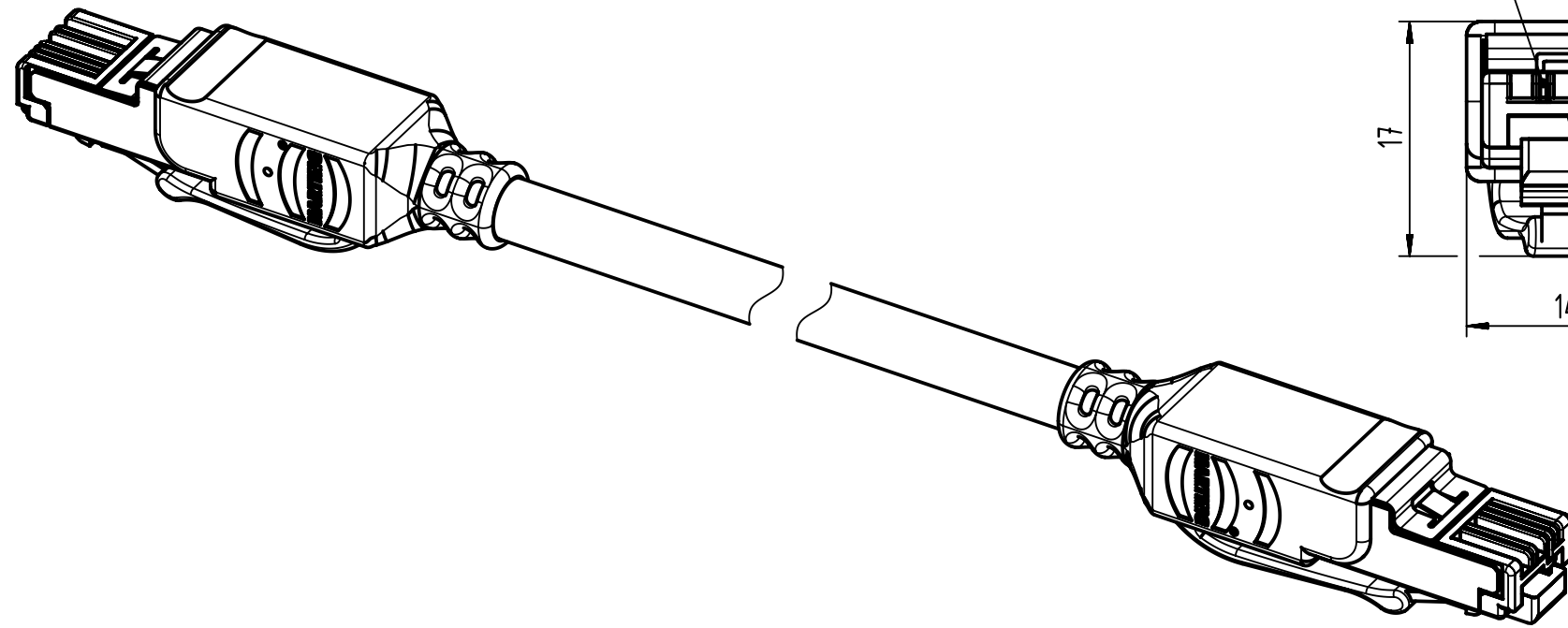
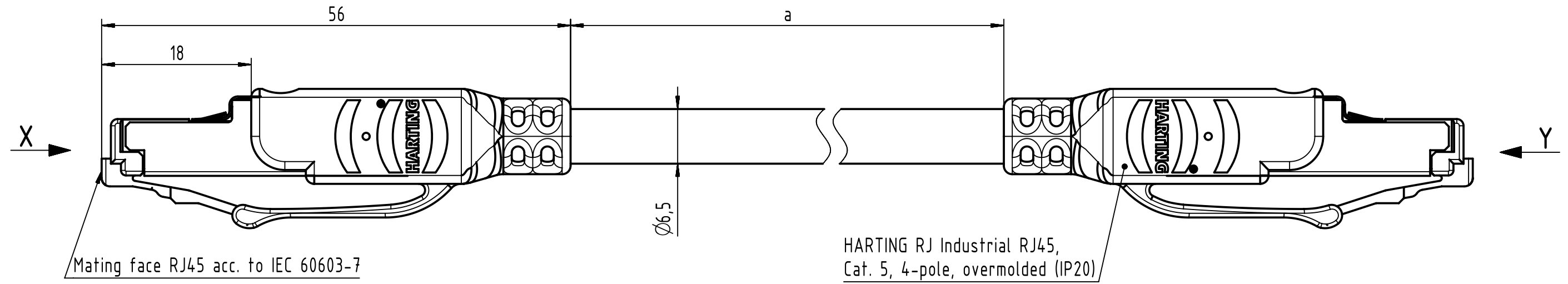


Connector Location A

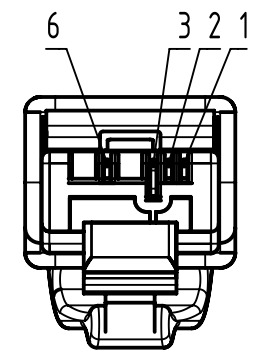
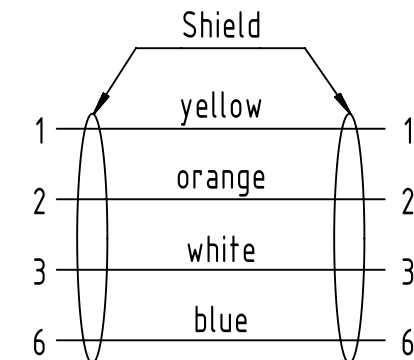
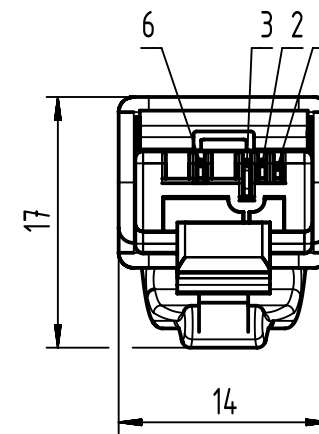
Connector Location B



X
male

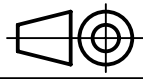

Y
male

Loading-Plan:



- Temperature range: -40°C ... +70°C

	All rights reserved	Created by COSTEA	Inspected by STOCHECIC	Standardisation MUNTEANV	Date 2018-09-13	State Final Release	
	Department HCS - RO	Title RJ Industrial PROFINET cable assembly				Doc-Key / ECM-Nr. 100081054/UGD/051/G 500000139970	
HARTING Customised Solutions D-32339 Espelkamp		Type TB	Number 0945771XXXX			Rev. G	Page 1/3

1	2	3	4	5	6	7	8	
				<p>RJ Ethernet stranded cable, 4xAWG22/7, PVC, Cat. 5+, green</p>				
52	09457711161	100						
51	09457711160	90						
50	09457711159	80						
49	09457711158	70						
48	09457711157	60						
47	09457711156	50						
46	09457711155	40						
45	09457711154	30						
44	09457711153	20						
43	09457711152	15						
42	09457711132	13						
41	09457711151	10						
40	09457711131	9						
39	09457711130	8						
38	09457711129	7						
37	09457711128	6						
36	09457711127	5						
35	09457711136	4.5						
34	09457711126	4						
33	09457711135	3.5						
32	09457711125	3						
31	09457711140	2.2						
30	09457711124	2						
29	09457711139	1.8						
28	09457711123	1.5						
27	09457711122	1						
26	09457711138	0.9						
25	09457711121	0.5						
24	09457711134	0.3						
23	09457711137	0.15						
Cont. no.	Part no.	Type of cable	Dim. a[m]					
 All Dimensions in mm				Tech. Character.		Free size tol.		According to production drawing
 All rights reserved Department HCS - RO		Created by COSTEA	Inspected by STOCHECIC	Standardisation MUNTEANV	Date 2018-09-13	State Final Release		
HARTING Customised Solutions D-32339 Espelkamp		Title RJ Industrial PROFINET cable assembly			Doc-Key / ECM-Nr. 100081054/UGD/051/G 500000139970		Rev. G	Page 2/3
		Type TB	Number 0945771XXXX					
22	09457710061	<p>RJ Ethernet standard cable, AWG22/1, 2x2x0.64, PVC, Cat. 5+, green</p>	100					
21	09457710060		90					
20	09457710059		80					
19	09457710058		70					
18	09457710057		60					
17	09457710056		50					
16	09457710055		40					
15	09457710054		30					
14	09457710053		20					
13	09457710052		15					
12	09457710051		10					
11	09457710031		9					
10	09457710030		8					
9	09457710029		7					
8	09457710028		6					
7	09457710027		5					
6	09457710026		4					
5	09457710025		3					
4	09457710024		2					
3	09457710023		1.5					
2	09457710022		1					
1	09457710021		0.5					
Cont. no.	Part no.	Type of cable	Dim. a[m]					

	1	2	3	4	5	6	7	8
A								
B	81	09457711183	RJ45 Ethernet trailing cable, AWG22/7, 2x2x0.75, PUR, Cat. 5+, green	100				
	80	09457711182		90				
	79	09457711181		80				
	78	09457711180		70				
	77	09457711179		60				
	76	09457711187		55				
	75	09457711178		50				
C	74	09457711177		40				
	73	09457711176		30				
	72	09457711175		20				
	71	09457711186		18				
	70	09457711174		15				
	69	09457711188		14				
	68	09457711189		12				
D	67	09457711173		10				
	66	09457711172		9				
	65	09457711171		8				
	64	09457711170		7				
	63	09457711169		6				
	62	09457711168		5				
	61	09457711167	4					
E	60	09457711166	3					
	59	09457711190	2.3					
	58	09457711165	2					
	57	09457711164	1.5					
	56	09457711163	1					
	55	09457711185	0.6					
	54	09457711162	0.5					
	53	09457711184	0.3					
F	Cont. no.	Part no.	Type of cable	Dim. a[m]				

	All rights reserved	Created by COSTEA	Inspected by STOCHECIC	Standardisation MUNTEANV	Date 2018-09-13	State Final Release	
	Department HCS - RO	Title RJ Industrial PROFINET cable assembly				Doc-Key / ECM-Nr. 100081054/UGD/051/G 500000139970	
HARTING Customised Solutions D-32339 Espelkamp		Type TB	Number 0945771XXXX			Rev. G	Page 3/3

X-ON Electronics

Largest Supplier of Electrical and Electronic Components

Click to view similar products for [Ethernet Cables / Networking Cables](#) category:

Click to view products by [HARTING](#) manufacturer:

Other Similar products are found below :

[73-6670-7](#) [73-6680-15](#) [73-7797-25](#) [MCJB2-10P6Q7-120](#) [84909-0204](#) [1200700174](#) [1200860368](#) [E16A06002M030](#) [E200102-009-S1](#)
[AX105346-EW](#) [MT14-187L](#) [17-103530](#) [ERWPAB3002M005](#) [190-038045-01](#) [NK5EPC18RDY](#) [NK5EPC18VLY](#) [NK5EPC18YLY](#)
[NK5EPC1GRY](#) [NK5EPC4Y](#) [NK5EPC6YLY](#) [NK5EPC8BLY](#) [NK5EPC9YLY](#) [1969343-6](#) [C501100010](#) [C501106002](#) [C501106007](#)
[C501106015](#) [C501106025](#) [C601102010](#) [C601104010](#) [C601106007](#) [C601106015](#) [2142758-2](#) [2168427-2](#) [CAT1106007](#) [SR02P0-26E5-15.0](#)
[SR02S0-26E5-15.0](#) [21949-1](#) [2J1866A](#) [RJF SFTP 5E 0500](#) [AX100351](#) [MN14CEC/ST](#) [C501100015](#) [C501106004](#) [C501106010](#) [C5F1108007](#)
[C601104004](#) [C601106004](#) [CA21106004](#) [CA21106010](#)