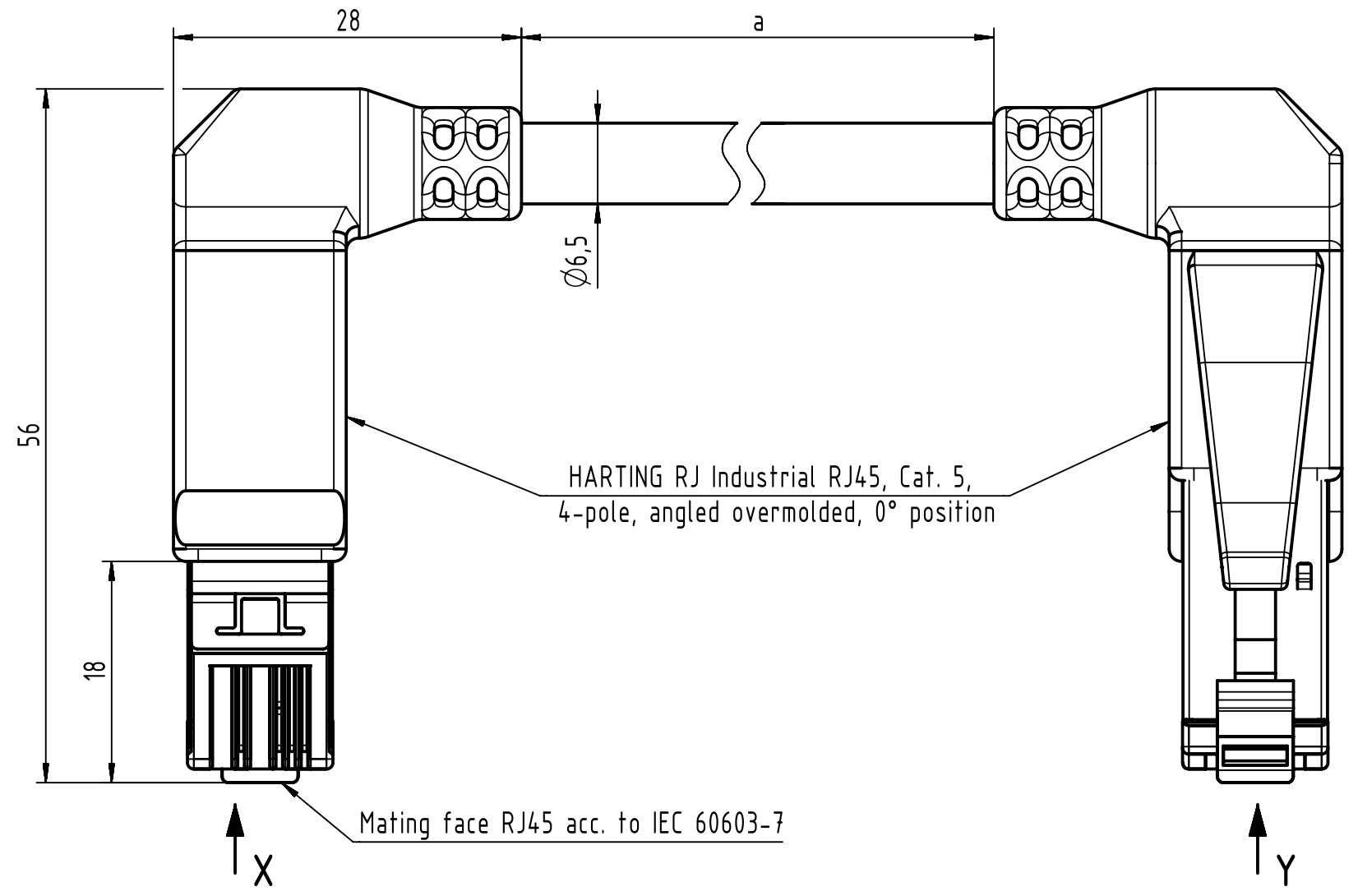
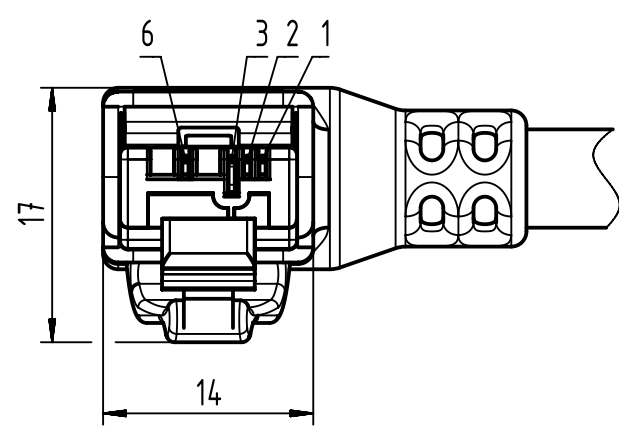


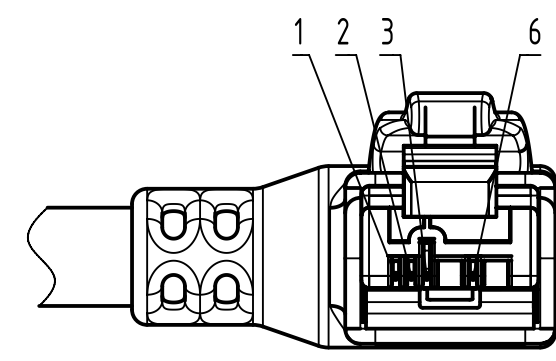
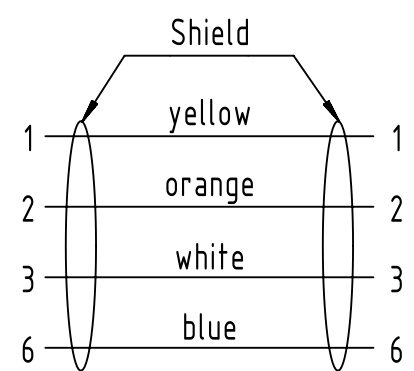
X



Y



Loading-Plan:



- Protection level: IP20
- Temperature range: -40°C ... +70°C

	All Dimensions in mm Original Size DIN A3		Scale 2:1	Free size tol.		Ref.	
	All rights reserved Department EC PD - RO		Created by MUNTEANV	Inspected by AVRAM	Standardisation HOFFMANN	Date 2016-01-25	State Final Release
HARTING Electronics GmbH D-32339 Espelkamp		Title RJ Industrial Cable Assembly				Doc-Key / ECM-Nr. 100155467/UGD/004/C 50000099449	
		Type TB	Number 09457714XXX			Rev. C	Page 1/2


	1	2	3	4	5	6	7	8	
A									
B	44	09457714083	RJl Ethernet stranded cable, AWG22/7, 2x2x0.75, outdoor, PVC, Cat. 5+, black	100	88	09457714183	RJl Ethernet trailing cable, AWG22/7, 2x2x0.75, PUR, Cat. 5+, green	100	
	43	09457714082		90	87	09457714182		90	
	42	09457714081		80	86	09457714181		80	
	41	09457714080		70	85	09457714180		70	
	40	09457714079		60	84	09457714179		60	
	39	09457714078		50	83	09457714178		50	
	38	09457714077		40	82	09457714177		40	
	37	09457714076		30	81	09457714176		30	
	36	09457714075		20	80	09457714175		20	
	35	09457714074		15	79	09457714174		15	
	34	09457714073		10	78	09457714173		10	
	33	09457714072		9	77	09457714172		9	
	32	09457714071		8	76	09457714171		8	
	31	09457714070		7	75	09457714170		7	
	30	09457714069		6	74	09457714169		6	
	29	09457714068		5	73	09457714168		5	
	28	09457714067		4	72	09457714167		4	
	27	09457714066		3	71	09457714166		3	
	26	09457714065		2	70	09457714165		2	
	25	09457714064		1.5	69	09457714164		1.5	
	24	09457714063		1	68	09457714163		1	
	23	09457714062		0.5	67	09457714162		0.5	
C	22	09457714061		100	66	09457714161		100	
D	21	09457714060		90	65	09457714160		90	
	20	09457714059		80	64	09457714159		80	
	19	09457714058		70	63	09457714158		70	
	18	09457714057	60	62	09457714157	60			
	17	09457714056	50	61	09457714156	50			
	16	09457714055	40	60	09457714155	40			
	15	09457714054	30	59	09457714154	30			
	14	09457714053	20	58	09457714153	20			
	13	09457714052	15	57	09457714152	15			
	12	09457714051	10	56	09457714151	10			
	11	09457714031	9	55	09457714131	9			
	10	09457714030	8	54	09457714130	8			
	9	09457714029	7	53	09457714129	7			
	8	09457714028	6	52	09457714128	6			
	7	09457714027	5	51	09457714127	5			
	6	09457714026	4	50	09457714126	4			
	5	09457714025	3	49	09457714125	3			
	4	09457714024	2	48	09457714124	2			
	3	09457714023	1.5	47	09457714123	1.5			
	2	09457714022	1	46	09457714122	1			
	1	09457714021	0.5	45	09457714121	0.5			
F	Cont. no.	Part no.	Type of cable	Dim. a[m]	Cont. no.	Part no.	Type of cable	Dim. a[m]	

RJl Ethernet stranded cable,
AWG22/7, 2x2x0.75, outdoor,
PVC, Cat. 5+, black

RJl Ethernet standard cable,
AWG22/1, 2x2x0.64, PVC, Cat. 5+, green

RJl Ethernet trailing cable,
AWG22/7, 2x2x0.75, PUR, Cat. 5+, green

RJl Ethernet stranded cable,
4xAWG22/7, PVC, Cat. 5+, green

	All rights reserved Department EC PD - RO	Created by MUNTEANV	Inspected by AVRAM	Standardisation HOFFMANN	Date 2016-01-25	State Final Release	Ref. Sub.
HARTING Electronics GmbH D-32339 Espelkamp		Title RJ Industrial Cable Assembly			Doc-Key / ECM-Nr. 100155467/UGD/004/C 50000099449		Rev. C
		Type TB	Number 09457714XXX				Page 2/2

X-ON Electronics

Largest Supplier of Electrical and Electronic Components

Click to view similar products for [Ethernet Cables / Networking Cables](#) category:

Click to view products by [HARTING](#) manufacturer:

Other Similar products are found below :

[73-6670-7](#) [73-6680-15](#) [73-7797-25](#) [MCJB2-10P6Q7-120](#) [84909-0204](#) [1200700174](#) [1200860368](#) [E16A06002M030](#) [E200102-009-S1](#)
[AX105346-EW](#) [MT14-187L](#) [17-103530](#) [ERWPAB3002M005](#) [190-038045-01](#) [NK5EPC18RDY](#) [NK5EPC18VLY](#) [NK5EPC18YLY](#)
[NK5EPC1GRY](#) [NK5EPC4Y](#) [NK5EPC6YLY](#) [NK5EPC8BLY](#) [NK5EPC9YLY](#) [1969343-6](#) [C501100010](#) [C501106002](#) [C501106007](#)
[C501106015](#) [C501106025](#) [C601102010](#) [C601104010](#) [C601106007](#) [C601106015](#) [2142758-2](#) [2168427-2](#) [CAT1106007](#) [SR02P0-26E5-15.0](#)
[SR02S0-26E5-15.0](#) [21949-1](#) [2J1866A](#) [RJF SFTP 5E 0500](#) [AX100351](#) [MN14CEC/ST](#) [C501100015](#) [C501106004](#) [C501106010](#) [C5F1108007](#)
[C601104004](#) [C601106004](#) [CA21106004](#) [CA21106010](#)