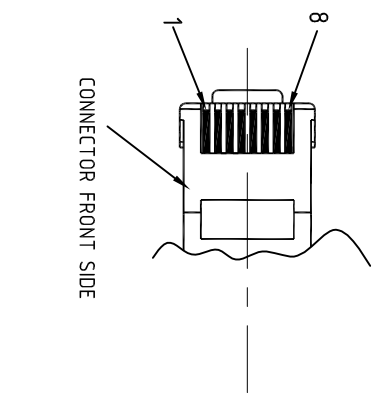


P/N INFORMATION

CONNECTOR PINOUT

WIRING INFORMATION



CONN.1	WIRE COLOR	CONN.2
8	BROWN/WHITE	8
7	WHITE/BROWN	7
6	GREEN/WHITE	6
5	WHITE/BLUE	5
4	BLUE/WHITE	4
3	WHITE/GREEN	3
2	ORANGE/WHITE	2
1	WHITE/ORANGE	1
SHELL	BRAID	SHELL

Part- No.	Cable Length (L)	Sticking label length(p)
09 45 971 1101	500±10	250
09 45 971 1102	1,000±10	500
09 45 971 1103	2,000±20	1,000
09 45 971 1104	3,000±30	1,000
09 45 971 1105	4,000±40	2,000
09 45 971 1106	5,000±50	2,000
09 45 971 1107	6,000±60	2,000
09 45 971 1108	7,000±70	2,000
09 45 971 1109	7,500±75	2,000
09 45 971 1110	8,000±80	2,000
09 45 971 1111	9,000±90	2,000
09 45 971 1112	10,000±100	2,000
09 45 971 1113	15,000±150	2,000
09 45 971 1114	20,000±200	2,000
09 45 971 1115	1,500±15	750
09 45 971 1116	2,500±25	1,000
09 45 971 1117	8,500±85	2,000
09 45 971 1118	300±10	150
09 45 971 1119	600±10	300
09 45 971 1160	12,000±150	2,000
09 45 971 1202	5,500±75	2,000
09 45 971 1203	6,500±75	2,000
09 45 971 1204	13,000±150	2,000
09 45 971 1205	14,000±150	2,000
09 45 971 1206	16,000±150	2,000
09 45 971 1207	18,000±150	2,000
09 45 971 1209	22,000±250	2,000

**CAT5, PUR, GREEN JACKET**

- NOTES /
- 1.) ELECTRICAL REQUIREMENTS:
- BE PERFORMED ISO IEC 11801:2002
  - NOMINAL IMPEDANCE = 100 ±10 OHMS
  - DIELECTRIC WITHSTANDING VOLTAGE = 500 VDC MIN. FOR 1 MINUTE
- 2.) MECHANICAL REQUIREMENTS:
- OPERATING TEMPERATURE = -20° TO +80°C
  - MATING CYCLES : 500
  - PROTECTION GRADE: IP20
- 3.) CABLE MUST BE PERFORMED 100% HI-POT TEST AND CONTINUITY TEST.
- 4.) WHITE LABEL INFORMATION:

DATE CODE  
LENGTH: XX M  
HARTING P/N

5) CABLE MUST BE PACKED INTO A PLASTIC BAG.

Rev.	Description	Appr.	Date
E	Add cable lengths acc. to CRZ1799A	Lucy Zheng	25/07/16
03	Add cable length 12m	Lucy Zheng	14/08/15
02	Add cable length 0.6m	Lucy Zheng	27/01/15
01	Change drawing frame.	Lucy Zheng	18/06/14
00	Prototype	James	21/10/05

Coating	A=	/	mm <sup>2</sup>	V=	/	mm <sup>3</sup>	m=	/	g	Mat.	See Bill of Material
											Ref. /
											Sub. /
											Date 2016-07-25
											State Final release

All rights reserved		Created by ZHENGL		Inspected by LIK		Standardisation LIK		Date 2016-07-25		State Final release	
Original Size DIN A3		Scale /		Free size tol. /							
HARTING Department HCS - CN		Title R45 CAT5 PUR GREEN DOUBLE ENDED MOLDED CABLE ASSEMBLY		Type TB		Number 09 45 971 XXXX		Rev. E		Page 1/1	
HARTING Customised Solutions		D-32427 Minden									

## X-ON Electronics

Largest Supplier of Electrical and Electronic Components

*Click to view similar products for [Ethernet Cables / Networking Cables](#) category:*

*Click to view products by [HARTING](#) manufacturer:*

Other Similar products are found below :

[73-6670-7](#) [73-6680-15](#) [73-7797-25](#) [MCJB2-10P6Q7-120](#) [84909-0204](#) [1200700174](#) [1200860368](#) [E16A06002M030](#) [E200102-009-S1](#)  
[AX105346-EW](#) [MT14-187L](#) [17-103530](#) [ERWPAB3002M005](#) [190-038045-01](#) [NK5EPC18RDY](#) [NK5EPC18VLY](#) [NK5EPC18YLY](#)  
[NK5EPC1GRY](#) [NK5EPC4Y](#) [NK5EPC6YLY](#) [NK5EPC8BLY](#) [NK5EPC9YLY](#) [1969343-6](#) [C501100010](#) [C501106002](#) [C501106007](#)  
[C501106015](#) [C501106025](#) [C601102010](#) [C601104010](#) [C601106007](#) [C601106015](#) [2142758-2](#) [2168427-2](#) [CAT1106007](#) [SR02P0-26E5-15.0](#)  
[SR02S0-26E5-15.0](#) [21949-1](#) [2J1866A](#) [RJF SFTP 5E 0500](#) [AX100351](#) [MN14CEC/ST](#) [C501100015](#) [C501106004](#) [C501106010](#) [C5F1108007](#)  
[C601104004](#) [C601106004](#) [CA21106004](#) [CA21106010](#)