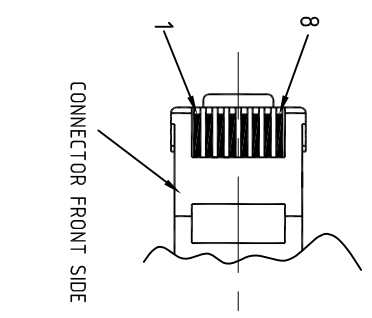


CONNECTOR PINOUT



CONN.1	WIRE COLOR	CONN.2
8	BROWN/WHITE	8
7	WHITE/BROWN	7
6	GREEN/WHITE	6
5	WHITE/BLUE	5
4	BLUE/WHITE	4
3	WHITE/GREEN	3
2	ORANGE/WHITE	2
1	WHITE/ORANGE	1
SHELL	BRAID	SHELL

WIRING INFORMATION

Part- No.	Cable Length (L) (MM)	Sticking Label Length(P) (MM)
09 45 971 1121	500±10	250
09 45 971 1122	1,000±10	500
09 45 971 1123	2,000±20	1,000
09 45 971 1124	3,000±30	1,000
09 45 971 1125	4,000±40	2,000
09 45 971 1126	5,000±50	2,000
09 45 971 1127	6,000±60	2,000
09 45 971 1128	7,000±70	2,000
09 45 971 1129	7,500±75	2,000
09 45 971 1130	8,000±80	2,000
09 45 971 1131	9,000±90	2,000
09 45 971 1132	10,000 <sup>+50</sup> <sub>-0</sub>	2,000
09 45 971 1133	15,000±150	2,000
09 45 971 1134	20,000±200	2,000
09 45 971 1135	1,500±15	750
09 45 971 1136	2,500±25	1,000
09 45 971 1138	300±10	150
09 45 971 1201	40,000±350	2,000

P/N INFORMATION

- NOTES:
- ELECTRICAL REQUIREMENTS
    - BE PERFORMED ISO IEC 11801:2002
    - NOMINAL IMPEDANCE = 100 ±10 OHMS
    - DIELECTRIC WITHSTANDING VOLTAGE = 500 VDC MIN. FOR 1 MINUTE
  - MECHANICAL REQUIREMENTS
    - OPERATING TEMPERATURE = -20° TO +80°C
    - MATING CYCLES : 250
    - PROTECTION GRADE: IP20
  - CABLE MUST BE PERFORMED 100% HI-POT TEST AND CONTINUITY TEST
  - WHITE LABEL INFORMATION:

DATE CODE & LOT INFORMATION  
 LENGTH: XX M  
 HARTING P/N

- CABLE MUST BE PACKED INTO A PLASTIC BAG.

**CAT5, PUR, BLACK JACKET**

Rev.	Description	Appr.	Date
02	Add length 40m cable assy.	Lucy Zheng	14./01/15
01	Change tolerance for P/N 09459711132.(ECN13172)	Lucy Zheng	15/11/13
00	Prototype	James	18/09/07

Coating	A=	/	mm <sup>2</sup>	V=	/	mm <sup>3</sup>	m=	/	g	Mat.	See Bill of Material
			Scale			Free size tol.					Ref. /
			Original Size DIN A3								Sub. /

	All rights reserved	Created by	Inspected by	Standardisation	Date	State
Department	HCS - CN	ZHENGL	WANGF	CHENJU	2015-01-14	Final release

HARTING Electronics GmbH	Title	Type	Number	Doc-Key / EGM-Nr.
D-32339 Espelkamp	RJ45 CAT5 PUR BLACK DOUBLE ENDED MOLDED CABLE ASSEMBLY	TB	09 45 971 1XXX	/

## X-ON Electronics

Largest Supplier of Electrical and Electronic Components

*Click to view similar products for [Ethernet Cables / Networking Cables](#) category:*

*Click to view products by [HARTING](#) manufacturer:*

Other Similar products are found below :

[73-6670-7](#) [73-6680-15](#) [73-7797-25](#) [MCJB2-10P6Q7-120](#) [84909-0204](#) [1200700174](#) [1200860368](#) [E16A06002M030](#) [E200102-009-S1](#)  
[AX105346-EW](#) [MT14-187L](#) [17-103530](#) [ERWPAB3002M005](#) [190-038045-01](#) [NK5EPC18RDY](#) [NK5EPC18VLY](#) [NK5EPC18YLY](#)  
[NK5EPC1GRY](#) [NK5EPC4Y](#) [NK5EPC6YLY](#) [NK5EPC8BLY](#) [NK5EPC9YLY](#) [1969343-6](#) [C501100010](#) [C501106002](#) [C501106007](#)  
[C501106015](#) [C501106025](#) [C601102010](#) [C601104010](#) [C601106007](#) [C601106015](#) [2142758-2](#) [2168427-2](#) [CAT1106007](#) [SR02P0-26E5-15.0](#)  
[SR02S0-26E5-15.0](#) [21949-1](#) [2J1866A](#) [RJF SFTP 5E 0500](#) [AX100351](#) [MN14CEC/ST](#) [C501100015](#) [C501106004](#) [C501106010](#) [C5F1108007](#)  
[C601104004](#) [C601106004](#) [CA21106004](#) [CA21106010](#)