

HPP V4 Power insert THT 48V/12A 4p 90°

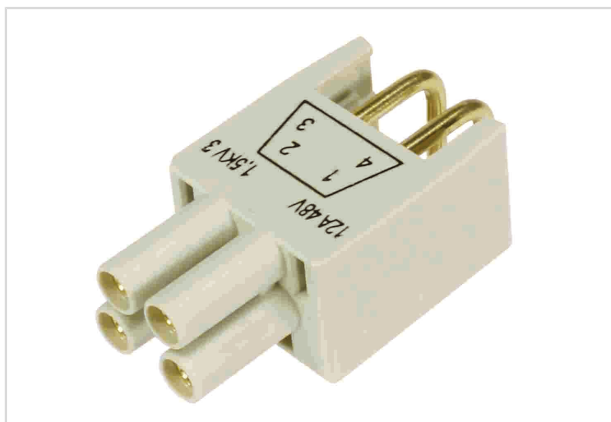


Image is for illustration purposes only. Please refer to product description.

| | |
|--------------------|---------------------------------------------------------------------------------------|
| Part number | 09 46 500 4400 |
| Specification | HPP V4 Power insert THT 48V/12A 4p 90° |
| HARTING eCatalogue | https://b2b.harting.com/09465004400 |

Identification

| | |
|----------------|-----------------------|
| Category | Connectors |
| Series | HARTING PushPull (V4) |
| Identification | Power |
| Element | Female |
| Specification | Angled |

Version

| | |
|--------------------|--------------------|
| Termination method | Solder termination |
| Shielding | Unshielded |
| Number of contacts | 4 |

Technical characteristics

| | |
|----------------------------------------|----------------|
| Rated current | 12 A |
| Rated voltage | 48 V |
| Rated impulse voltage | 1.5 kV |
| Pollution degree | 3 |
| Limiting temperature | -40 ... +70 °C |
| Mating cycles | ≥750 |
| Degree of protection acc. to IEC 60529 | IP65 IP67 |

Material properties

| | |
|-------------------------|---------------|
| Material (hood/housing) | Thermoplastic |
|-------------------------|---------------|



Pushing Performance

Material properties

| | |
|-------------------------------------------|--------------------------------------------------------|
| Colour (hood/housing) | Black |
| Material flammability class acc. to UL 94 | V-0 |
| RoHS | compliant with exemption |
| RoHS exemptions | 6(c): Copper alloy containing up to 4 % lead by weight |
| ELV status | compliant with exemption |
| China RoHS | 50 |
| REACH Annex XVII substances | No |
| REACH ANNEX XIV substances | No |
| REACH SVHC substances | Yes |
| REACH SVHC substances | Lead |
| California Proposition 65 substances | Yes |
| California Proposition 65 substances | Nickel |
| California Proposition 65 substances | Lead |

Specifications and approvals

| | |
|----------------|--------------------------------------------------------------------------------------------------|
| Specifications | IEC 61076-3-106 Variant 4 (V4) EN 45545-2 R22: HL1, HL2, HL3 EN 45545-2 R23: HL1, HL2, HL3 |
| Approvals | DNV GL |
| UL / CSA | UL 1977 ECBT2.E235076 CSA-C22.2 No. 182.3 ECBT8.E235076 |

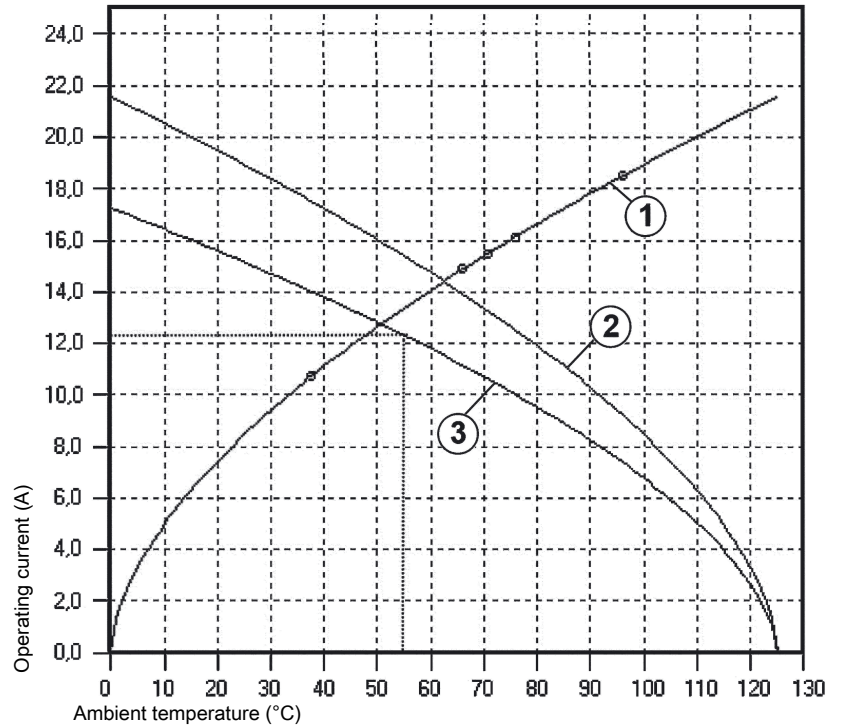
Commercial data

| | |
|--------------------------------|---------------------------------------------------|
| Packaging size | 10 |
| Net weight | 5.2 g |
| Country of origin | Romania |
| European customs tariff number | 85366990 |
| eCl@ss | 27440205 Contact insert for industrial connectors |

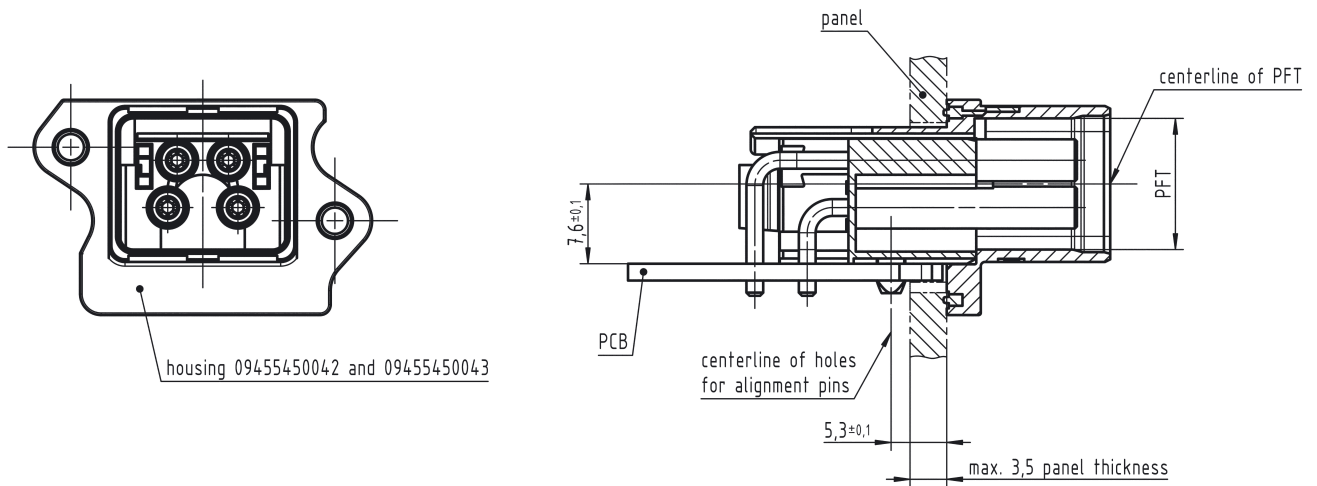
Current carrying capacity

The current carrying capacity of the connectors is limited by the thermal load capability of the contact element material including the connections and the insulating parts. The derating curve is therefore valid for currents which flow constantly (non-intermittent) through each contact element of the connector evenly, without exceeding the allowed maximum temperature.

Measuring and testing techniques acc. to IEC 60512-5-2



- ① Heating
 - ② Derating curve
 - ③ Derating curve 80%
- Conductor cross-section 1.5 mm²



X-ON Electronics

Largest Supplier of Electrical and Electronic Components

Click to view similar products for [Heavy Duty Power Connectors](#) category:

Click to view products by [HARTING](#) manufacturer:

Other Similar products are found below :

[647757-1](#) [6643411-1](#) [6646058-2](#) [6646137-1](#) [6646138-1](#) [6646479-1](#) [6646608-1](#) [6646786-1](#) [6646940-1](#) [6651091-1](#) [6651525-1](#) [6651529-1](#)
[6651788-1](#) [696475-1](#) [73000005059](#) [73000005642](#) [765-15-0080A](#) [765-16-0080B](#) [829992-1](#) [902-77-02113](#) [129-1J](#) [AN0024023](#) [E6374G1](#)
[e6389g2](#) [157-43GW8](#) [MS3117-14AC](#) [1643543-1](#) [1650540-1](#) [1651811-2](#) [1766260-1](#) [1766282-1](#) [1766966-1](#) [1791340000](#) [NLDFT-3-BL-L-](#)
[S120-M40A](#) [NLDFT-N-W-L-C240-M40B](#) [NLS-2-R-C240-M40B](#) [NLS-N-W-C240-M40B](#) [NPS-3-BL-T6](#) [1986615-1](#) [2-1589900-8](#) [2199314-1](#)
[KA8102](#) [9300480317](#) [SBS50BRN#6](#) [29131](#) [29652](#) [1646905-1](#) [1648320-1](#) [1648582-1](#) [1650195-2](#)