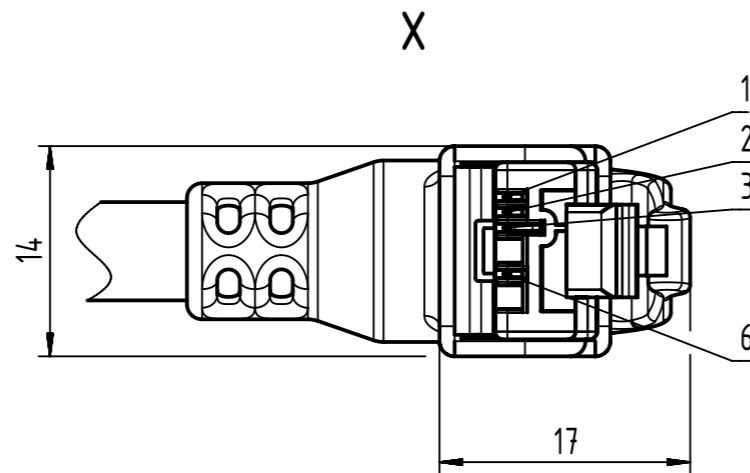
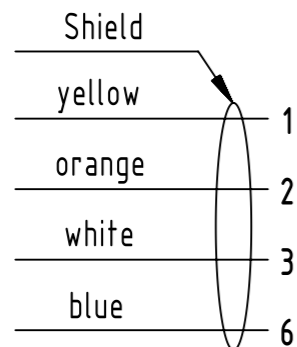


HARTING RJ Industrial RJ45, Cat. 5,  
4-pole, angled overmolded, 270° position

Mating face RJ45 acc. to IEC 60603-7




Loading-Plan:



- Protection level: IP20
- Temperature range: -40°C ... +70°C

	All rights reserved		Created by		Inspected by		Standardisation		Date		State	
	Department EC PD - RO		MUNTEANV		AVRAM		SCHREIER		2015-04-06		Final Release	
HARTING Electronics GmbH		Title						Doc-Key / ECM-Nr.		Rev.		Page
D-32339 Espelkamp		RJ Industrial Cable Assembly						100155463/UGD/015/B		B	1/2	
		Type		Number								
		TB		09470300XXX								

	1	2	3	4	5	6	7	8
A								
B	44	09470300044	RJl Ethernet stranded cable, 4xAWG22/7, PVC, Cat. 5+, green	100	88	09470300088	RJl Ethernet stranded cable, AWG22/7, 2x2x0.75, outdoor, PVC, Cat. 5+, black	100
	43	09470300043		90	87	09470300087		90
	42	09470300042		80	86	09470300086		80
	41	09470300041		70	85	09470300085		70
	40	09470300040		60	84	09470300084		60
	39	09470300039		50	83	09470300083		50
	38	09470300038		40	82	09470300082		40
	37	09470300037		30	81	09470300081		30
	36	09470300036		20	80	09470300080		20
	35	09470300035		15	79	09470300079		15
	34	09470300034		10	78	09470300078		10
	33	09470300033		9	77	09470300077		9
	32	09470300032		8	76	09470300076		8
	31	09470300031		7	75	09470300075		7
	30	09470300030		6	74	09470300074		6
	29	09470300029		5	73	09470300073		5
	28	09470300028		4	72	09470300072		4
	27	09470300027		3	71	09470300071		3
	26	09470300026		2	70	09470300070		2
	25	09470300025		1.5	69	09470300069		1.5
	24	09470300024		1	68	09470300068		1
	23	09470300023		0.5	67	09470300067		0.5
	22	09470300022		100	66	09470300066		100
D	21	09470300021		90	65	09470300065		90
	20	09470300020		80	64	09470300064		80
	19	09470300019		70	63	09470300063		70
	18	09470300018		60	62	09470300062		60
	17	09470300017	50	61	09470300061	50		
	16	09470300016	40	60	09470300060	40		
	15	09470300015	30	59	09470300059	30		
	14	09470300014	20	58	09470300058	20		
	13	09470300013	15	57	09470300057	15		
	12	09470300012	10	56	09470300056	10		
	11	09470300011	9	55	09470300055	9		
	10	09470300010	8	54	09470300054	8		
	9	09470300009	7	53	09470300053	7		
	8	09470300008	6	52	09470300052	6		
	7	09470300007	5	51	09470300051	5		
	6	09470300006	4	50	09470300050	4		
	5	09470300005	3	49	09470300049	3		
	4	09470300004	2	48	09470300048	2		
	3	09470300003	1.5	47	09470300047	1.5		
	2	09470300002	1	46	09470300046	1		
	1	09470300001	0.5	45	09470300045	0.5		
F	Cont. no.	Part no.	Type of cable	Dim. a[m]	Cont. no.	Part no.	Type of cable	Dim. a[m]

	All rights reserved Department EC PD - RO	Created by MUNTEANV	Inspected by AVRAM	Standardisation SCHREIER	Date 2015-04-06	State Final Release	Ref. Sub.
HARTING Electronics GmbH D-32339 Espelkamp		Title RJ Industrial Cable Assembly		Doc-Key / ECM-Nr. 100155463/UGD/015/B 50000087655		Rev. B	Page 2/2
		Type TB	Number 09470300XXX				

## X-ON Electronics

Largest Supplier of Electrical and Electronic Components

*Click to view similar products for [Ethernet Cables / Networking Cables](#) category:*

*Click to view products by [HARTING](#) manufacturer:*

Other Similar products are found below :

[73-6670-7](#) [73-6680-15](#) [73-7797-25](#) [MCJB2-10P6Q7-120](#) [84909-0204](#) [1200700174](#) [1200860368](#) [E16A06002M030](#) [E200102-009-S1](#)  
[AX105346-EW](#) [MT14-187L](#) [17-103530](#) [ERWPAB3002M005](#) [190-038045-01](#) [NK5EPC18RDY](#) [NK5EPC18VLY](#) [NK5EPC18YLY](#)  
[NK5EPC1GRY](#) [NK5EPC4Y](#) [NK5EPC6YLY](#) [NK5EPC8BLY](#) [NK5EPC9YLY](#) [1969343-6](#) [C501100010](#) [C501106002](#) [C501106007](#)  
[C501106015](#) [C501106025](#) [C601102010](#) [C601104010](#) [C601106007](#) [C601106015](#) [2142758-2](#) [2168427-2](#) [CAT1106007](#) [SR02P0-26E5-15.0](#)  
[SR02S0-26E5-15.0](#) [21949-1](#) [2J1866A](#) [RJF SFTP 5E 0500](#) [AX100351](#) [MN14CEC/ST](#) [C501100015](#) [C501106004](#) [C501106010](#) [C5F1108007](#)  
[C601104004](#) [C601106004](#) [CA21106004](#) [CA21106010](#)