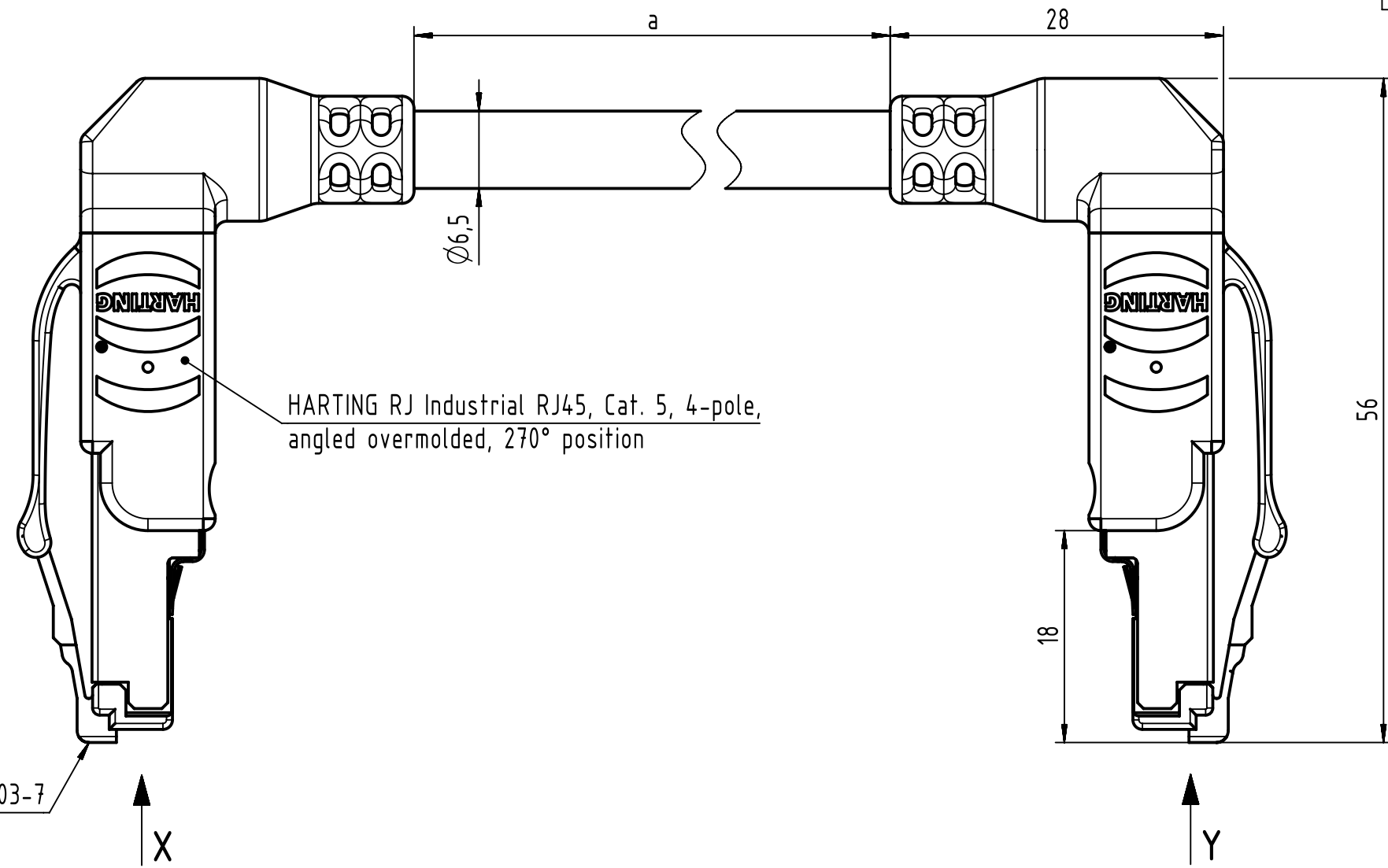


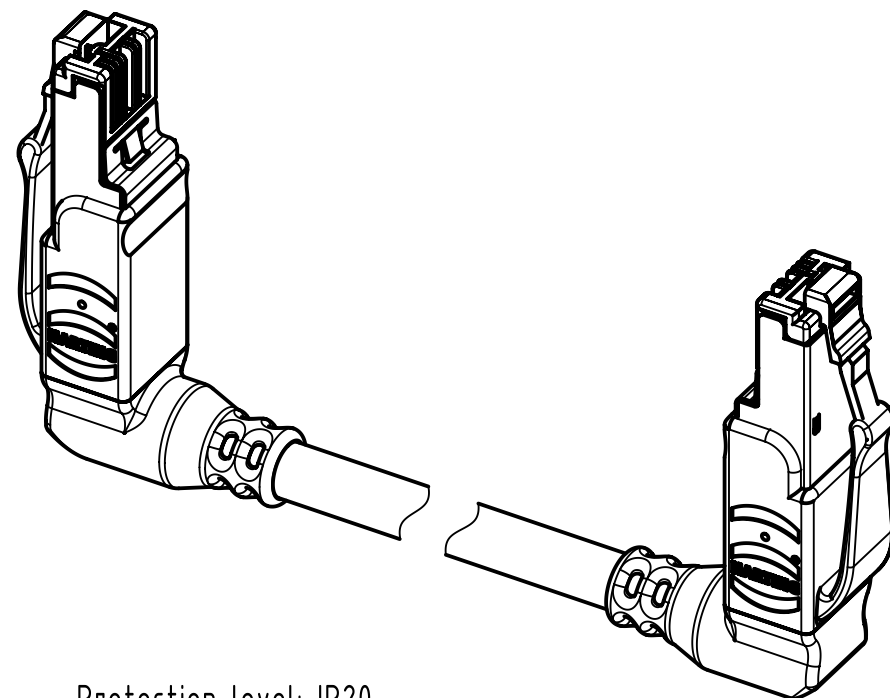
Connector Location A

Connector Location B



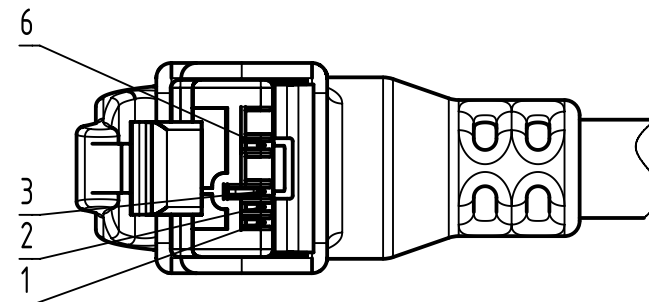
Mating face RJ45 acc. to IEC 60603-7

HARTING RJ Industrial RJ45, Cat. 5, 4-pole, angled overmolded, 270° position

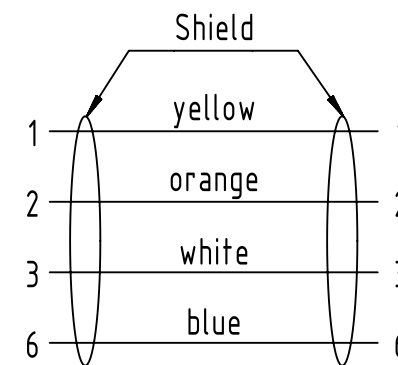


- Protection level: IP20  
- Temperature range: -40°C ... +70°C

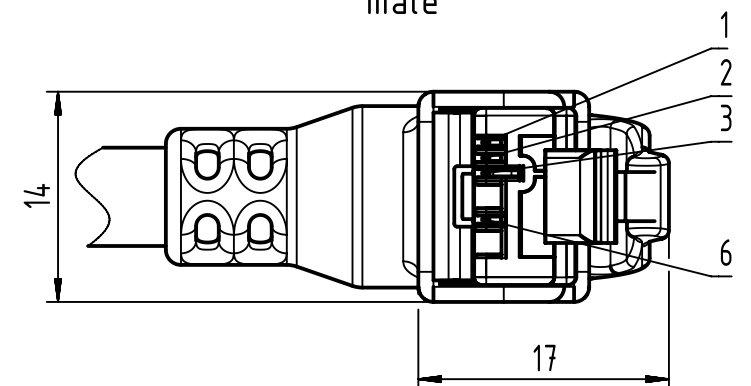
X male



Loading-Plan




Y male



All Dimensions in mm		Tech. Character.		Free size tol.		According to production drawing	
All rights reserved Department HCS - RO		Created by BANCIUD Banciu	Inspected by COSTEA Costea	Standardisation MUNTEANV Muntean	Date 2018-11-13	State Final Release	
HARTING Customised Solutions D-32339 Espelkamp		Title RJ Industrial Cable Assembly				Doc-Key / ECM-Nr. 100155505/UGD/009/D 500000143230	
		Type TB	Number 09470303XXX			Rev. D	Page 1/2

Cont. no.	Part no.	Type of cable	Dim. a[m]
46	09470303044	RJl Ethernet stranded cable, 4xAWG22/7, PVC, Cat. 5+, green	100
45	09470303043		90
44	09470303042		80
43	09470303041		70
42	09470303040		60
41	09470303039		50
40	09470303038		40
39	09470303037		30
38	09470303036		20
37	09470303035		15
36	09470303134		12
35	09470303034		10
34	09470303033		9
33	09470303032		8
32	09470303031		7
31	09470303030		6
30	09470303029		5
29	09470303028		4
28	09470303027		3
27	09470303026		2
26	09470303025		1.5
25	09470303024	1	
24	09470303023	0.5	
23	09470303089	0.25	
22	09470303022	RJl Ethernet standard cable, AWG22/1, 2x2x0.64, PVC, Cat. 5+, green	100
21	09470303021		90
20	09470303020		80
19	09470303019		70
18	09470303018		60
17	09470303017		50
16	09470303016		40
15	09470303015		30
14	09470303014		20
13	09470303013		15
12	09470303012		10
11	09470303011		9
10	09470303010		8
9	09470303009	7	
8	09470303008	6	
7	09470303007	5	
6	09470303006	4	
5	09470303005	3	
4	09470303004	2	
3	09470303003	1.5	
2	09470303002	1	
1	09470303001	0.5	

Cont. no.	Part no.	Type of cable	Dim. a[m]
90	09470303088	RJl Ethernet stranded cable, AWG22/7, 2x2x0.75, outdoor, PVC, Cat. 5+, black	100
89	09470303087		90
88	09470303086		80
87	09470303085		70
86	09470303084		60
85	09470303083		50
84	09470303082		40
83	09470303081		30
82	09470303080		20
81	09470303079		15
80	09470303078		10
79	09470303077		9
78	09470303076		8
77	09470303075		7
76	09470303074		6
75	09470303073		5
74	09470303072		4
73	09470303071		3
72	09470303070		2
71	09470303069		1.5
70	09470303068		1
69	09470303067	0.5	
68	09470303066	RJl Ethernet trailing cable, AWG22/7, 2x2x0.75, PUR, Cat. 5+, green	100
67	09470303065		90
66	09470303064		80
65	09470303063		70
64	09470303062		60
63	09470303061		50
62	09470303060		40
61	09470303059		30
60	09470303058		20
59	09470303057		15
58	09470303056		10
57	09470303055		9
56	09470303054		8
55	09470303053	7	
54	09470303052	6	
53	09470303051	5	
52	09470303050	4	
51	09470303049	3	
50	09470303048	2	
49	09470303047	1.5	
48	09470303046	1	
47	09470303045	0.5	

	All rights reserved Department HCS - RO	Created by BANCIUD Banciu	Inspected by COSTEA Costea	Standardisation MUNTEANV Muntean	Date 2018-11-13	State Final Release	Doc-Key / ECM-Nr. 100155505/UGD/009/D 50000014.3230
HARTING Customised Solutions D-32339 Espelkamp		Title RJ Industrial Cable Assembly		Type TB	Number 09470303XXX	Rev. D	Page 2/2

## X-ON Electronics

Largest Supplier of Electrical and Electronic Components

*Click to view similar products for [Ethernet Cables / Networking Cables](#) category:*

*Click to view products by [HARTING](#) manufacturer:*

Other Similar products are found below :

[73-6670-7](#) [73-6680-15](#) [73-7797-25](#) [MCJB2-10P6Q7-120](#) [84909-0204](#) [1200700174](#) [1200860368](#) [E16A06002M030](#) [E200102-009-S1](#)  
[AX105346-EW](#) [MT14-187L](#) [17-103530](#) [ERWPAB3002M005](#) [190-038045-01](#) [NK5EPC18RDY](#) [NK5EPC18VLY](#) [NK5EPC18YLY](#)  
[NK5EPC1GRY](#) [NK5EPC4Y](#) [NK5EPC6YLY](#) [NK5EPC8BLY](#) [NK5EPC9YLY](#) [1969343-6](#) [C501100010](#) [C501106002](#) [C501106007](#)  
[C501106015](#) [C501106025](#) [C601102010](#) [C601104010](#) [C601106007](#) [C601106015](#) [2142758-2](#) [2168427-2](#) [CAT1106007](#) [SR02P0-26E5-15.0](#)  
[SR02S0-26E5-15.0](#) [21949-1](#) [2J1866A](#) [RJF SFTP 5E 0500](#) [AX100351](#) [MN14CEC/ST](#) [C501100015](#) [C501106004](#) [C501106010](#) [C5F1108007](#)  
[C601104004](#) [C601106004](#) [CA21106004](#) [CA21106010](#)