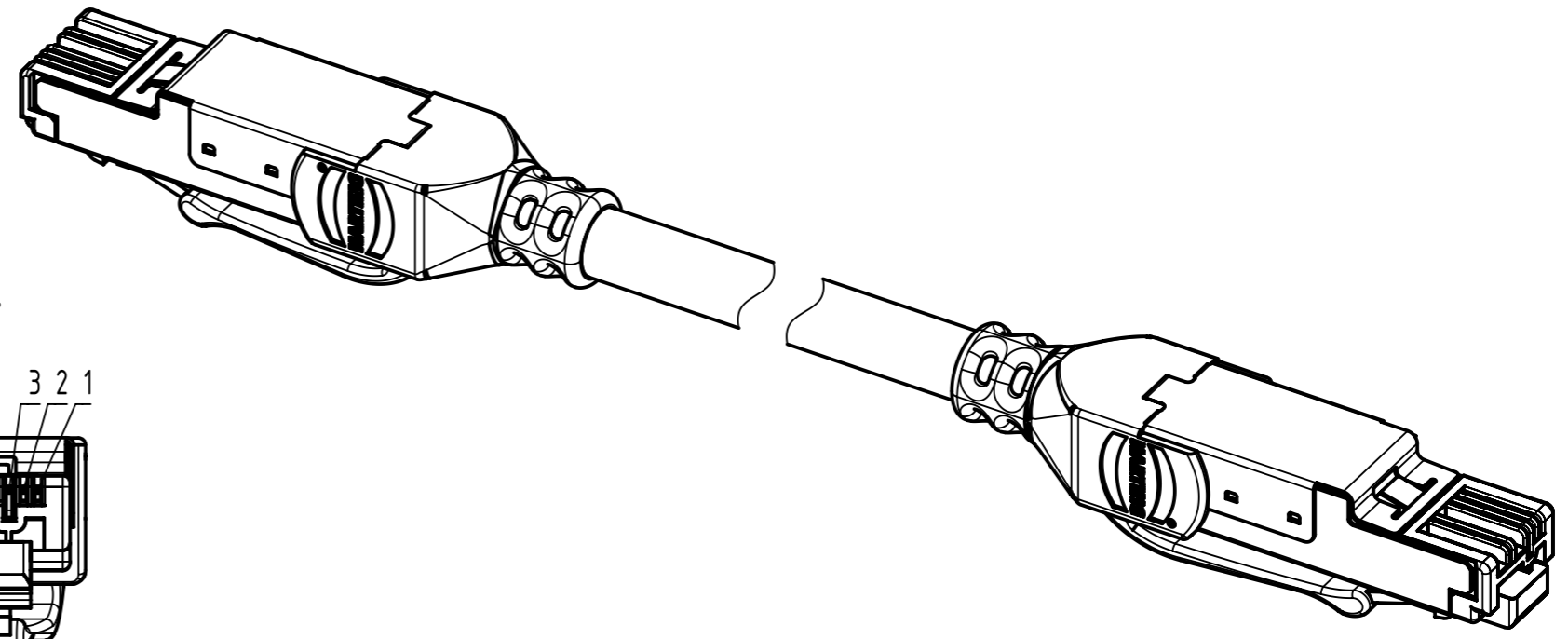


-Protection level: IP20
 -Temperature range: -40°C ... +70°C




	All rights reserved Department EC PD - RO	All Dimensions in mm Original Size DIN A3		Scale 2:1	Free size tol.	Ref. Sub.
		Created by MUNTEANV	Inspected by AVRAM	Standardisation HOFFMANN	Date 2015-08-27	State Final Release
HARTING Electronics GmbH D-32339 Espelkamp		Title RJ Industrial Cable Assembly			Doc-Key / ECM-Nr. 100155469/UGD/026/D 50000093846	
		Type TB	Number 09473434XXX		Rev. D	Page 1/3

1	2	3	4	5	6	7	8
A							
B	142	09473434140	RJ45 Ethernet stranded cable, AWG22/7, 2x2x0.75, outdoor, PVC, Cat. 5+, black	100			
	141	09473434139		90			
	140	09473434138		80			
	139	09473434137		70			
	138	09473434136		60			
	137	09473434135		50			
	136	09473434134		40			
	135	09473434142		35			
	134	09473434133		30			
	133	09473434141		25			
	132	09473434132		20			
	131	09473434131		15			
	130	09473434130		10			
	129	09473434129		9			
	128	09473434128		8			
	127	09473434127		7.5			
	126	09473434126		7			
	125	09473434125		6			
C	124	09473434124		5			
	123	09473434123	4				
	122	09473434122	3.5				
	121	09473434121	3				
	120	09473434120	2.5				
	119	09473434119	2				
	118	09473434118	1.5				
	117	09473434117	1				
	116	09473434116	0.6				
	115	09473434115	0.5				
	114	09473434114	0.3				
	113	09473434113	0.2				
D	112	09473434112	100				
	111	09473434111	90				
	110	09473434110	80				
	109	09473434109	70				
	108	09473434108	60				
	107	09473434107	50				
	106	09473434106	40				
	105	09473434105	30				
	104	09473434104	20				
E	103	09473434103	15				
	102	09473434102	10				
	101	09473434101	9				
	100	09473434100	8				
	99	09473434099	7.5				
	98	09473434098	7				
	97	09473434097	6				
	96	09473434096	5				
	95	09473434095	4				
	94	09473434094	3.5				
	93	09473434093	3				
F	Cont. no.	Part no.	Type of cable	Dim. a[m]			
	1	2	3	4	5	6	7

RJ45 Ethernet stranded cable,
AWG22/7, 2x2x0.75, outdoor,
PVC, Cat. 5+, black

RJ45 Ethernet trailing cable,
AWG22/7, 2x2x0.75, PUR, Cat. 5+, green

	All Dimensions in mm Original Size DIN A3	Scale 1:1	Free size tol.	Ref. Sub.
	All rights reserved Department EC PD - RO	Created by MUNTEANV	Inspected by AVRAM	Standardisation HOFFMANN
HARTING Electronics GmbH D-32339 Espelkamp		Title RJ Industrial Cable Assembly		Date 2015-08-27
		Type TB	Number 09473434XXX	State Final Release
				Doc-Key / ECM-Nr. 100155469/UGD/026/D 50000093846
				Rev. D Page 3/3

X-ON Electronics

Largest Supplier of Electrical and Electronic Components

Click to view similar products for [Ethernet Cables / Networking Cables](#) category:

Click to view products by [HARTING](#) manufacturer:

Other Similar products are found below :

[73-6670-7](#) [73-6680-15](#) [73-7797-25](#) [MCJB2-10P6Q7-120](#) [84909-0204](#) [1200700174](#) [1200860368](#) [E16A06002M030](#) [E200102-009-S1](#)
[AX105346-EW](#) [MT14-187L](#) [17-103530](#) [ERWPAB3002M005](#) [190-038045-01](#) [NK5EPC18RDY](#) [NK5EPC18VLY](#) [NK5EPC18YLY](#)
[NK5EPC1GRY](#) [NK5EPC4Y](#) [NK5EPC6YLY](#) [NK5EPC8BLY](#) [NK5EPC9YLY](#) [1969343-6](#) [C501100010](#) [C501106002](#) [C501106007](#)
[C501106015](#) [C501106025](#) [C601102010](#) [C601104010](#) [C601106007](#) [C601106015](#) [2142758-2](#) [2168427-2](#) [CAT1106007](#) [SR02P0-26E5-15.0](#)
[SR02S0-26E5-15.0](#) [21949-1](#) [2J1866A](#) [RJF SFTP 5E 0500](#) [AX100351](#) [MN14CEC/ST](#) [C501100015](#) [C501106004](#) [C501106010](#) [C5F1108007](#)
[C601104004](#) [C601106004](#) [CA21106004](#) [CA21106010](#)